

THETFORD



Refrigerator T2000 Series

User Manual

We: THETFORD B.V.

Address: Nijverheidsweg 29, 4879 AP, Etten-Leur, Netherlands

Telephone: +31 76 5042 200 Fax: +31 76 5042 300

Declare that

Product Types; Refrigerator


Model Number/Description; T2000 Series

Satisfies the essential requirements of the following directives:

- RoHS2 Directive 2011/65/EU
- EMC Directive 2014/30/EU
Based upon standard(s) EN 50498
EN 55014
- UN Agreement No. 010 - revision 5 – Automotive EMC

Name : B. Anderson
Title/Position : Director
Place & Date of Issue : Etten-Leur, 04 March 2020

Signature

: 

EN

Original User Manual

Contents

1	Introduction.....	3
2	Symbols.....	3
3	Safety.....	4
4	Main components.....	5
5	Before use.....	8
6	Switching on the refrigerator.....	9
7	Selecting cooling level.....	9
8	Selecting night mode.....	11
9	Use of the fresh food compartment.....	11
10	Use of the frozen food compartment.....	12
11	While driving.....	13
12	Maintenance and cleaning.....	14
13	Emptying the drip tray (model A).....	16
14	Defrosting.....	17
15	Troubleshooting.....	18
16	Storage.....	18
17	Warranty and servicing.....	19
18	Technical specifications.....	20
19	Disposal.....	20

1. Introduction

This is the user manual for your Thetford refrigerator. Read the safety instructions and information on use and maintenance of the refrigerator carefully before continuing. This will enable you to use the refrigerator safely and efficiently. Retain this manual for future reference.

For the latest version of this manual, please visit www.thetford.com.

2. Symbols

Key to symbols:



Warning. Risk of serious injury and/or damage.



Caution. Risk of injury and/or damage.



Attention. Important information.



Note. Information.

3. Safety



This appliance may be used by children aged 8 years or older and persons with reduced physical, sensory or mental capabilities and/or lack of experience and knowledge only if they are supervised or have been given instructions on the safe use of this appliance and understand the potential hazards.



Keep children younger than 8 years away from the appliance, except under constant supervision.



Do not allow children to play with the appliance. Children can become trapped and possibly suffocate.



Do not allow children to clean or maintain this equipment unattended.



Use only parts supplied by the manufacturer.



Do not change or adjust anything on the appliance, unless the change is authorised by the manufacturer or its representative.



If the supply cord is damaged, it must be replaced by the manufacturer, its service agent or similarly qualified person in order to avoid a hazard.



The refrigerant is R-290 or R600a and insulation blowing gases is cyclopentane, servicing and disposal of appliance should be done by qualified person.



Do not use the drawer as a step or ladder.



The maximum load of the large shelf is 12kg and the maximum load of the small shelf is 6kg.



Use the appliance for cooling and freezing only and not for anything else. Follow the instructions in this manual. The manufacturer cannot be held liable for damage resulting from improper use or incorrect setting of the controls. If the instructions have not been followed, warranty claims will not be accepted.



This appliance is designed for 12V DC supply voltage. Do not attempt to run the refrigerator on any other voltage or means of supply.



Build-up of dust on the condenser will reduce the performance of the appliance and increase the risk of overheating of the cooling system. Have the condenser and cooling fan cleaned by qualified service personnel if you suspect poor performance.



Never open or damage the refrigerant circuit of the cooling system at the back or on the inside of your appliance. The cooling system is pressurised and contains flammable substances.



Do not use electrical appliances in the appliance.



Do not store explosive substances such as aerosol cans with a flammable propellant in this appliance.



Never expose the appliance to moisture.



Keep ventilation openings, in the appliance enclosure or in the built-in structure, clear of obstruction.



Do not use mechanical devices or other means to accelerate the defrosting process, other than those recommended by the manufacturer.

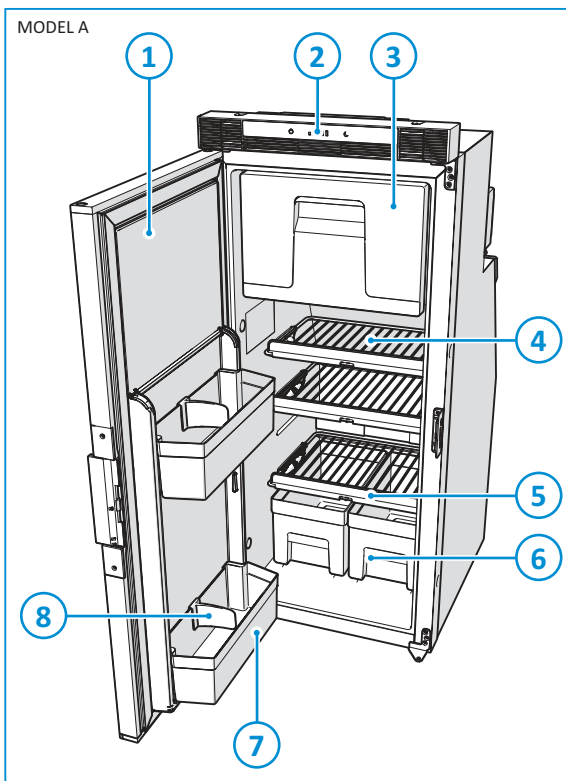


This refrigerator is intended for use in mobile leisure vehicles.



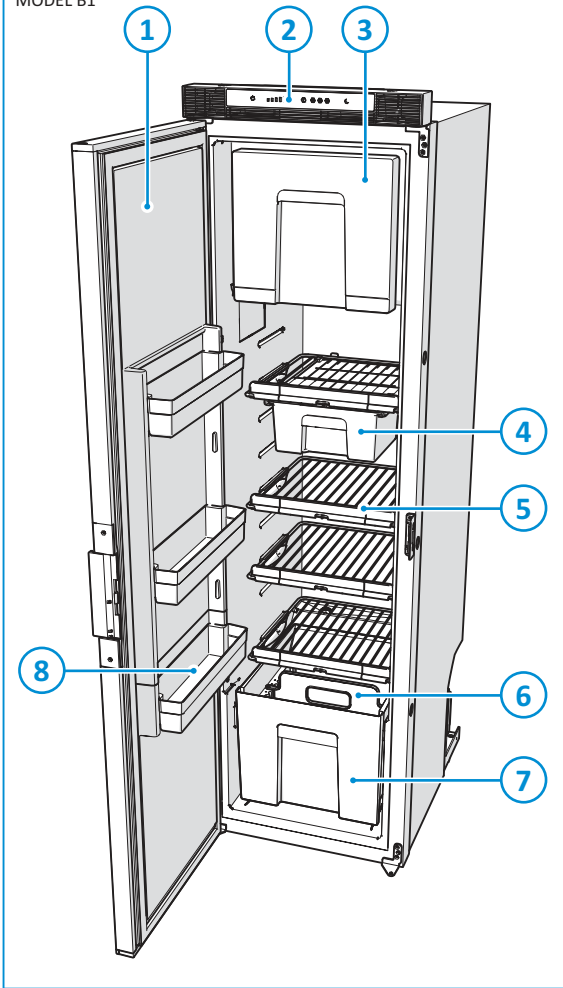
As the constant regulation of temperature can not be guaranteed, the refrigerator might not be suitable for proper storage of medications. Refer to the instructions included with the medications.

4. Main components



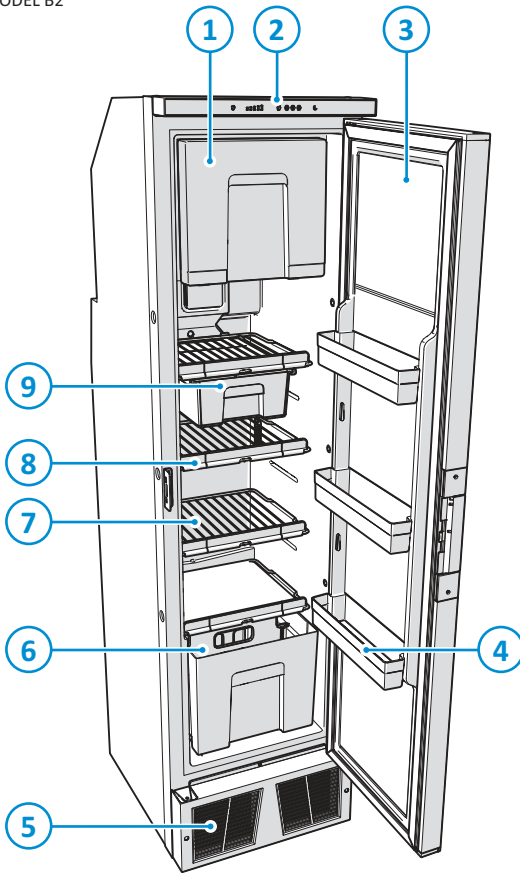
1. Refrigerator door
2. Control panel
3. Frozen food compartment door
4. Storage shelves
5. Shelf food retainer
6. Vegetable bins
7. Door bins
8. Bottle retainer

MODEL B1



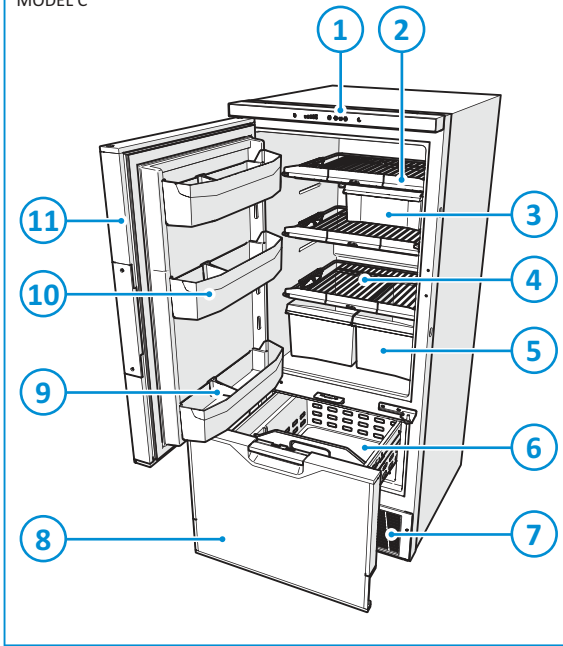
1. Refrigerator door
2. Control panel
3. Frozen food compartment
4. Slide-out box
5. Storage shelves
6. Drawer divider
7. Vegetable bin
8. Door bins

MODEL B2



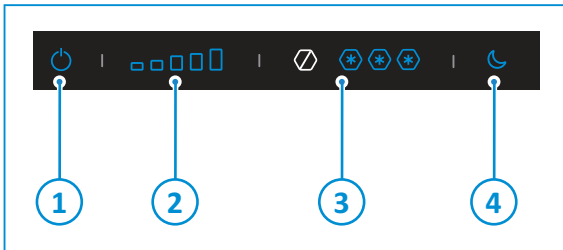
1. Frozen food compartment door
2. Control panel
3. Refrigerator door
4. Door bins
5. Cooling system
6. Vegetable bin (including drawer divider)
7. Storage shelves
8. Shelf food retainer
9. Slide-out box

MODEL C



1. Control panel
2. Shelf food retainer
3. Slide-out box
4. Storage shelves
5. Vegetable bin
6. Frozen food compartment
7. Cooling system
8. Frozen food compartment door
9. Bottle retainer
10. Door bins
11. Refrigerator door

Control panel



1. On/off button
2. Temperature settings - fresh food compartment
3. Temperature settings - frozen food compartment (not for model A)
4. Night mode button

5. Before use

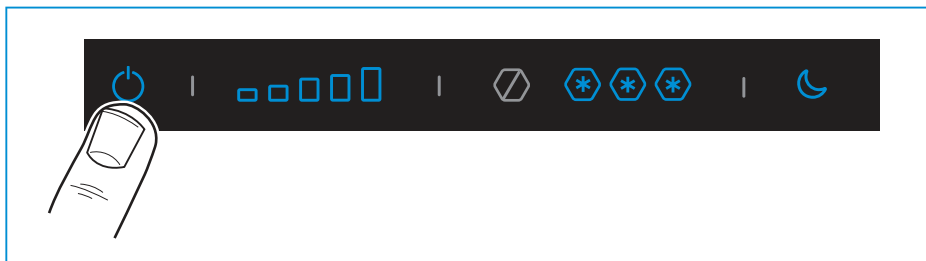
Before using the appliance:

- Ensure that all packaging materials have been removed.
- Clean the inside of the refrigerator properly with warm water and household detergent and dry carefully with a soft cloth.
- Ensure that the DC electricity supply is connected and turned on.

6. Switching on the refrigerator

To switch on the refrigerator:

- Push the on/off button and hold it for a few seconds.

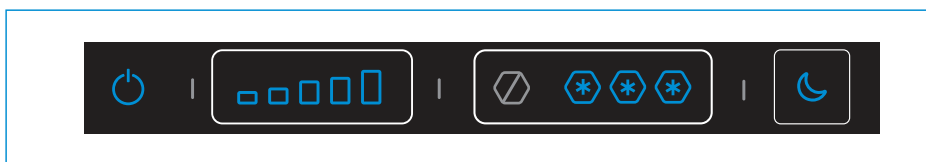


- i** After a few seconds the control panel will change to stand-by and locked mode. The blue on/off button indicates the refrigerator is still in function.
- i** To switch off the refrigerator, push and hold the on/off button for a few seconds.
- i** For optimal performance, switch on the refrigerator 4 hours before placing food.

7. Selecting cooling level

To select the cooling level:

- First unlock the control panel, if applicable. Press the fresh food, frozen food or night mode area and hold it for a few seconds until the icons start blinking.



- Slide or press the temperature icons to select the desired cooling level.
- After a few seconds, the control panel will save the settings and go to the locked stand-by mode.

Cooling levels (1 to 5) of fresh food compartment



Cooling levels (1 to 3) of frozen food compartment (not for model A)



Off (below 20°C)



Press and hold for a few seconds. When using the off setting, the energy consumption will be considerably less. This mode can be used to maximize off-grid time. This setting can be used to store products which do not need hot temperatures like chocolate.



Lowest setting



When using the lowest setting the temperature in the compartment is around -6°C. This mode is suited for making ice cubes, for example. Also, this mode saves energy compared to the higher settings.



Highest setting



When using the highest setting the frozen food compartment is suited for keeping products frozen for a long period of time. Please refer to the information on the frozen food package. Also this mode is advised when storing ice cream products. The temperature is around -18°C. This setting uses the most amount of energy.



Thetford advises to set the fresh food compartment on cooling level 3, with an ambient temperature between 16°C and 25°C. A higher temperature needs a higher cooling level, a lower temperature a lower level.



Thetford advises to set the frozen food compartment on cooling level 3. A lower setting is only needed to reduce the energy consumption.



When selecting frozen food compartment off mode please follow the recommendations in the chapter Defrosting. In off mode you can store products which do not need to be in the fresh food compartment.



Always look at the packaging instructions of your food products for preservation level.



Active running time of the refrigerator depends on the temperature, size and state of the battery, electrical load of other devices in the vehicle, content of the refrigerator and frequency of use.

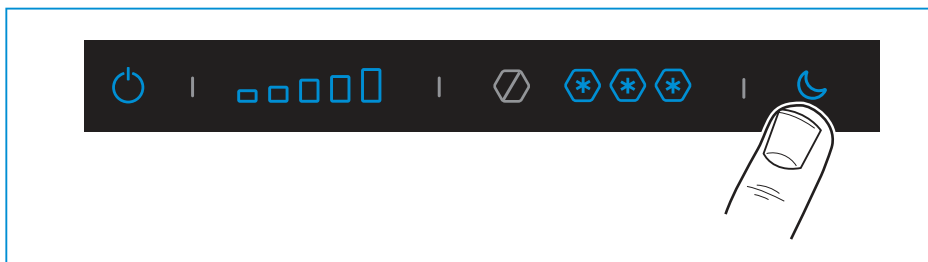


When the vehicle is exposed to full sun light, it is strongly recommended to apply proper ventilation in the vehicle.

8. Selecting night mode

The blue light indicates the night mode is activated. In normal (automatic) mode, the refrigerator will select the lowest noise setting where possible. When the refrigerator needs to run harder (higher temperature and/or warm products), it may result in an increase of noise. You can switch on the night mode, to reduce the noise to a minimum. The cooling down time might take longer. After 12 hours the night mode will switch off automatically.

- First unlock the control panel.
- Push the night mode button.



i Use night mode only when temperatures in the vehicle are below 30°C. The night mode will switch off automatically after 12 hours. When switching off the night mode manually, it will go to automatic temperature control.

9. Use of the fresh food compartment

i To prevent your refrigerator from ice formation, always cover liquid products, let warm products cool down before placing them and do not open the door any longer than necessary.

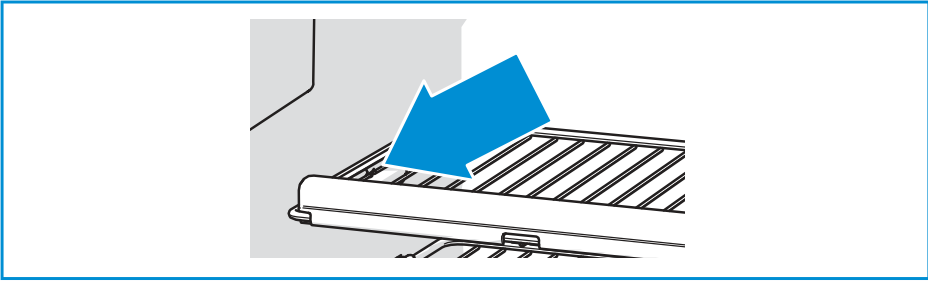
To organise your refrigerator as desired, move the storage shelves and door bins in height.

Moving the storage shelves

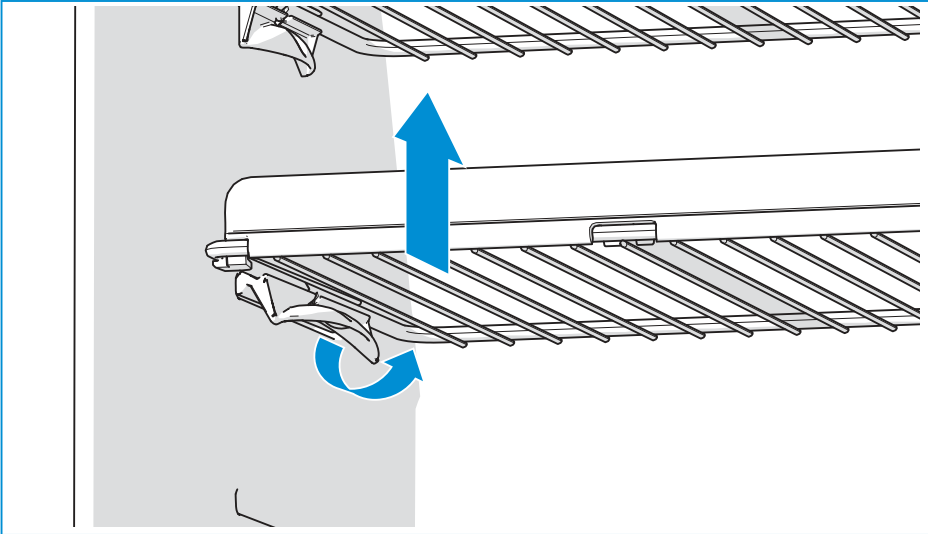
A number of shelves are secured to prevent inadvertent entrapment and possible suffocation of children. For the same reason, the drawer dividers are fixed to the drawer (all models except model A).

! Do not remove the fixed shelves or drawer dividers, so children have no space to be entrapped in the refrigerator.

If it is necessary to move a fixed shelf, undo the screws that are placed in the shelf near the shelf clamps. Remove the fixed drawer divider in the same way.



- Turn the plastic clamps of the storage shelf upwards.
- Lift that side a bit.



- Move the storage shelf to the desired position.
- Place the left side of the storage shelf without the clamp in the refrigerator wall.
- Place the other side in the corresponding groove.
- Turn the plastic clamp downwards.
- Replace the screws after you have finished.



The maximum storage capacity of the drawer is 15kg.



Ensure that the door can still be closed after reorganising shelves and bins.

10. Use of the frozen food compartment

- For model A only: the frozen food compartment can be used to store perishable foodstuffs or frozen foods. Refer to Selecting cooling level for more information on the regulated frozen food compartment for the other models.



Never keep carbonated liquids in the frozen food compartment.



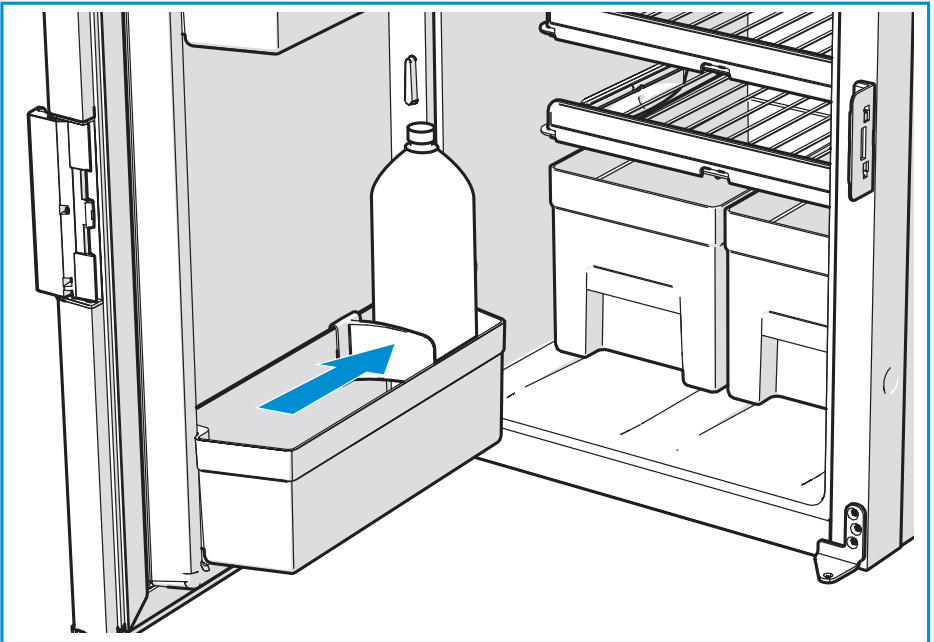
For model A only: the temperature in the frozen food compartment cannot be guaranteed if the refrigerator performs in a vehicle interior temperature below 16°C. Food might defrost. Raise the temperature setting of the fresh food compartment to minimal level 3 if you expect vehicle interior temperatures below 20°C and want to maintain freezing temperature in the frozen food compartment. As a consequence the temperature of the fresh food compartment will become lower. Raising the vehicle interior temperature will also contribute to a lower temperature in the frozen food compartment.



Never eat ice-cubes or popsicles directly out of the frozen food compartment. This can cause burns.

11. While driving

- Make sure no products in your refrigerator can move while driving. Secure the bottles in the door and/or the drawer with the bottle retainer and drawer dividers, and secure all food on the storage shelves. The shelf food retainers also hold the products on the shelves while driving.



- Close the door.



When you close and press the door of the refrigerator, the door locks automatically. While driving this door lock also secures the door.

12. Maintenance and cleaning

Thetford recommends an annual inspection service by an approved service centre. Clean the refrigerator on a regular basis.

- Always remove any spills or contamination immediately with a mild household cleaner and soft cloth.
- If needed, remove the shelves, door bins, vegetable bins and clean the inside of the refrigerator and loose parts.
- Clean the outside of the refrigerator with a damp soft cloth.



Do not use abrasive cleaners, metal scouring pads or hard brushes. They could damage the refrigerator.



Never clean the refrigerator with soap or aggressive, caustic or soda-based cleaning agents.



Do not expose the refrigerator to water.



The loose parts of the refrigerator are not suitable for the dishwasher.



Only for refrigerators installed on floor level: Dust underneath the refrigerator might block the airflow required for a proper performance. Therefore, frequently remove all dust from this area, e.g. using a vacuum cleaner.



Only for refrigerators installed on floor level: We recommend to remove the refrigerator once every 2 years to completely clean and remove all dust from both the refrigerator and the aperture. In a dusty environment we recommend to do this every year.

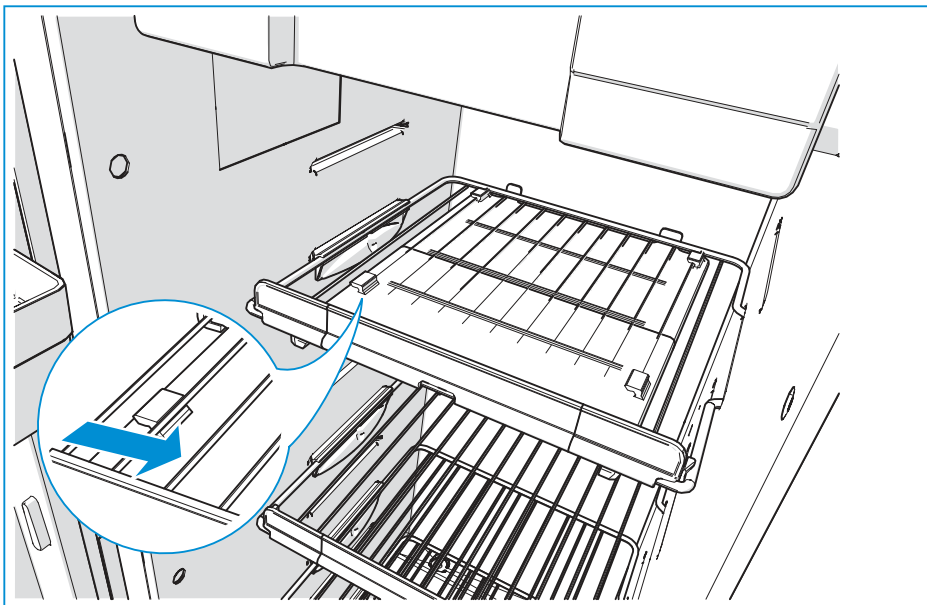
We recommend to clean the condenser once every 2 years for model C refrigerators. Blow the dust from the condenser with slightly pressurized air. In a dusty environment we recommend to do this every year. For other models this can be done if you suspect bad performance. Accessing the condenser can be done by removing the front guard for model B2 and C. For model A and B1 the refrigerator must be removed to access the condenser.

Removing slide-out box system (model B1, B2, C)

To remove the slide-out box system:

- Completely open the refrigerator door and remove the slide-out box.

- Then slide the rail system to the right, as illustrated.

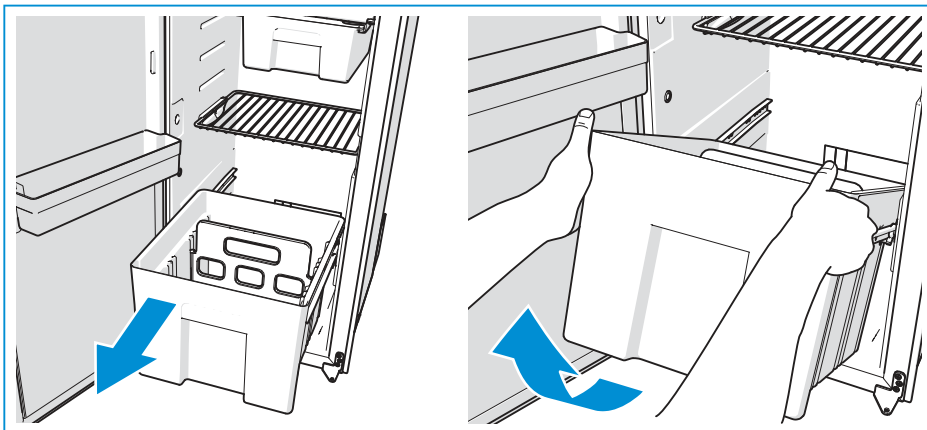


- Remove and clean the slide-out box system.
- After cleaning, place the system back in reverse order.
- Make sure the slide-out box system snaps into place.

Removing drawer (model B1 and B2)

To remove the drawer (model B1 and B2):

- Completely open the refrigerator door and pull the drawer until the stop.
- Then lift the drawer at the front, as illustrated.

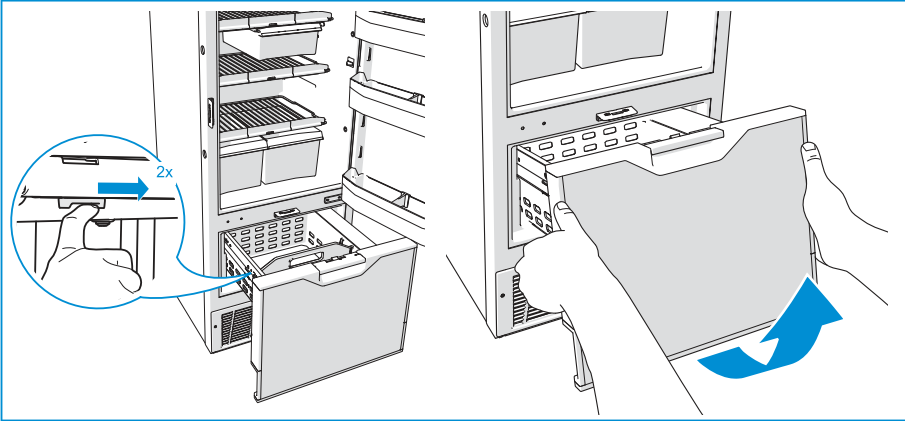


- Remove and clean the drawer.
- After cleaning, place the drawer back in reverse order.

Removing drawer (model C)

To remove the drawer (model C):

- Pull the drawer until the stop and push it a little bit back.
- Then push the guide locks backwards, as illustrated.



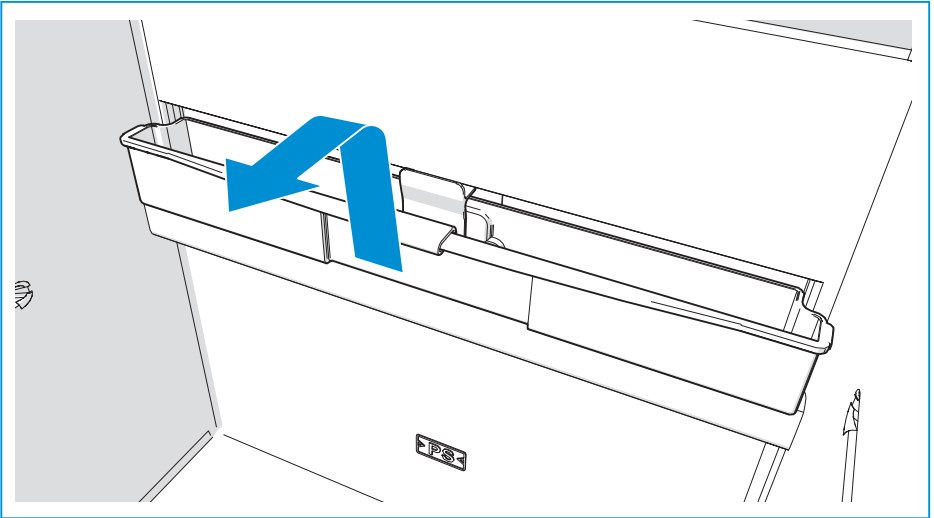
- Pull the drawer further to the front and lift the wheels over the curves.
- Remove and clean the drawer.
- After cleaning, pull out the guides until they snap into place.
- Place the drawer back in reverse order.

13. Emptying the drip tray (model A)

During use, water will collect on the back wall of the refrigerator. If the external drainage option is not used, the condensation will collect in the drip tray. To empty the drip tray:

- Pull the drip tray up until it releases from the mounting hook in the back.

- Remove the drip tray from the refrigerator and empty it.



Check the drip tray regularly and always empty it before driving the vehicle.

14. Defrosting

Ice can build up in the frozen food compartment and on the back surface of the refrigerator compartment. When more than 3mm of ice has built up in any location of either compartment, the refrigerator needs to be defrosted. Failure to do this may damage the cooling system. To defrost the refrigerator:

- Remove all food.
- Switch off the refrigerator.
- Remove the drawer as described under Maintenance and cleaning.
- Put a towel in the frozen food compartment and on the bottom of the fresh food compartment to catch any leakage water.
- Make sure the frozen food compartment door is opened by a small gap, by inserting a non-sharp object in between the frozen food compartment door seal and the cabinet liner.
- In case the external drainage possibility is not used, empty the drip tray when all ice is gone.
- Thoroughly dry the refrigerator after defrosting.



Do not speed up the defrosting process by removing the ice layer with force or sharp objects or by using a hair-dryer or any other electrical device.

15. Troubleshooting

Problem	Possible cause	Solution
Fridge not cooling, compressor will not run at all	Battery voltage too low	Recharge battery
	Start delay of 1 minute (no issue)	Wait 1 minute
	Overheat due to high ambient	Turn off fridge for 1 hour, vent the vehicle, switch to day mode
	Vehicle fuse has blown	Check fuse rating, replace with 15A
Frozen food compartment not freezing	Interior temperature in vehicle is lower than 16°C	Raise the temperature of the vehicle inside and/or select a higher cooling level to minimal level 4
Fridge not cooling, compressor starts but switches off directly	Overheat due to high ambient temperature	Turn off fridge for 1 hour, vent the vehicle, switch to day mode
Fridge is overcooling	Temperature setting too high	Choose a lower temperature setting
Fridge not cooling, compressor runs continuously	Go to a service centre	
Fridge has insufficient cooling	Overheat due to high ambient temperature	Turn off fridge for 1 hour, vent the vehicle, switch to day mode
	Ventilation openings, complete or partially blocked	Clean or remove blockage
	Door is not properly closed	Close door, make sure door seal is in good order
	Too much ice on evaporator (more than 3mm)	Defrost evaporator, make sure door seal is in good order

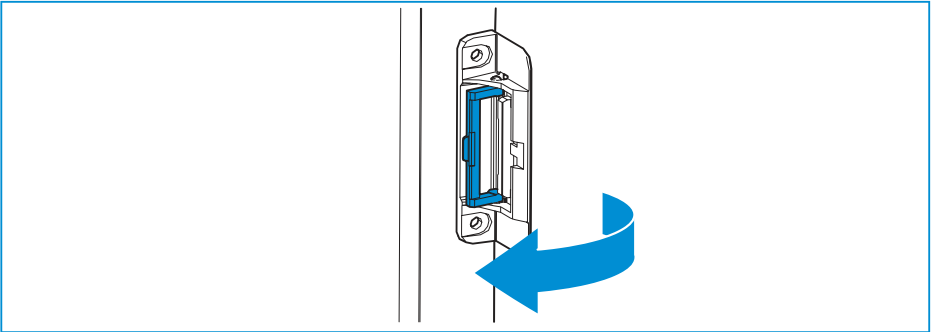
16. Storage

If you do not use the refrigerator for a longer period:

- Empty the refrigerator.
- Defrost the frozen food compartment.
- Clean the complete refrigerator thoroughly.
- Keep the refrigerator door, as well as the frozen food compartment door, open during storage.

To keep the door open during storage:

- Open the door.
- Rotate the storage lock.



- Close the door until you hear the first click.



Make sure the door is still slightly open.

To use the refrigerator after storage:

- Rotate the storage lock back to its original position.

17. Warranty and servicing

For our warranty procedure and policy, refer to www.thetford.com.

All servicing must be carried out by an authorized person. Before any service work is started, the appliance must be disconnected from the electrical supplies.

For service, please contact your authorised local Service Centre giving details of the model and serial number on the Serial ID label plus date of purchase.



18. Technical specifications

Table 1: Refrigerator specifications

Model	Display	Total volume (L)	Volume frozen food comp. (L)	Energy consumption (kWh/24h)	Climate class day mode	Climate class night mode
T2090	Capacitive touchscreen	84	6	0.28	ST (16 - 38°C)	N (16 - 32°C)
T2152	Capacitive touchscreen	150	17	0.51	SN-T (10 - 43°C)	SN (10 - 32°C)
T2160	Capacitive touchscreen	158	31	0.58	SN-T (10 - 43°C)	SN (10 - 32°C)
T2175	Capacitive touchscreen	174	34	0.60	SN-T (10 - 43°C)	SN (10 - 32°C)
T2138	Capacitive touchscreen	138	12	0.45	SN-T (10 - 43°C)	SN (10 - 32°C)

19. Disposal


When your refrigerator has reached its end of life, dispose the product according to the local rules. Do not dispose the refrigerator with normal household waste.



Risk of fire and explosion with flammable refrigerant R600a (model A) or R290 (model B1, B2, C).



Table 2: Environmental Protection

	<p>Discarded electric appliances are recyclable and should not be discarded in the domestic waste. Please actively support us in conserving resources and protecting the environment by returning this appliance to the collection centres (if available).</p>
---	--

EUROPEAN HEADQUARTERS

Thetford B.V.
Nijverheidsweg 29
P.O. Box 169
4870 AD Etten-Leur
The Netherlands

T +31 76 504 22 00
F +31 76 504 23 00
E info@thetford.eu

FRANCE

Thetford S.A.R.L.
Parc BURDPLUS / Bâtiment G
18, Boulevard de la Paix
95800 CERGY
France

T +33 1 30 37 58 23
F +33 1 30 37 97 67
E info@thetford.eu

SCANDINAVIA

Thetford B.V.
Representative Office Scandinavia
Hantverkaregatan 32D
521 61 Stenstorp
Sverige

T +46 31 336 35 80
F +46 31 44 85 70
E infos@thetford.eu

UNITED KINGDOM

Thetford Ltd.
Unit 6
Brookfields Way
Manvers, Rotherham
S63 5DL, England
United Kingdom

T +44 844 997 1960
F +44 844 997 1961
E info@thetford.eu

ITALY

Thetford Italy c/o Tecma s.r.l.
Via Flaminia
Loc. Castel delle Formiche
05030 Otricoli (TR)
Italia

T +39 0744 709071
F +39 0744 719833
E info@thetford.eu

AUSTRALIA

Thetford Australia Pty. Ltd.
130-132 Freight Drive
Somerton, VIC 3062
Australia

T +61 3 9358 0700
E infoaus@thetford.com.au
www.thetford.com.au

GERMANY

Thetford GmbH
Schallbruch 14
D-42781 Haan
Deutschland

T +49 2129 94250
F +49 2129 942525
E info@thetford.eu

SPAIN AND PORTUGAL

Mercè Grau Solà
Agente para España y Portugal
c/ Castellet, 36 bxs 2ª
08800 Vilanova i la Geltrú
Barcelona
España

T +34 938 154 389
F not available
E info@thetford.eu

CHINA

Thetford China
Rm. 1207, Coastal Building
(East Block)
Haide 3rd Road, Nanshan District
Shenzhen, 518054
China

T +86 755 8627 1393
F +86 755 8627 1673
E info@thetford.cn
www.thetford.cn