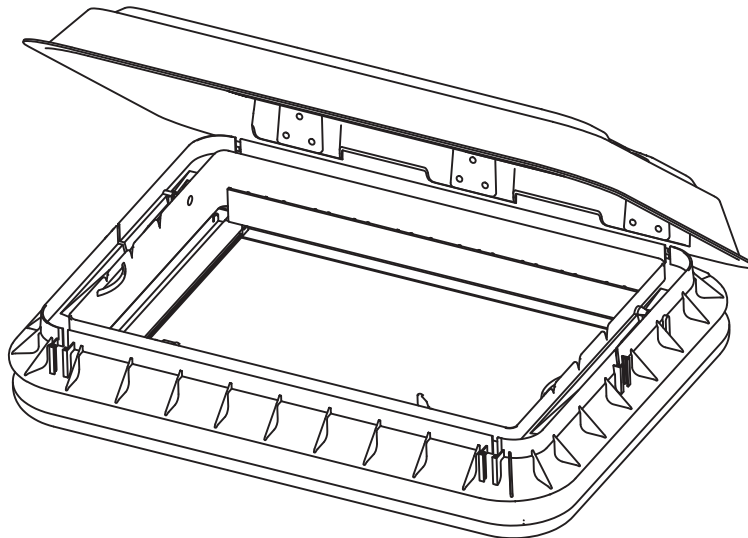
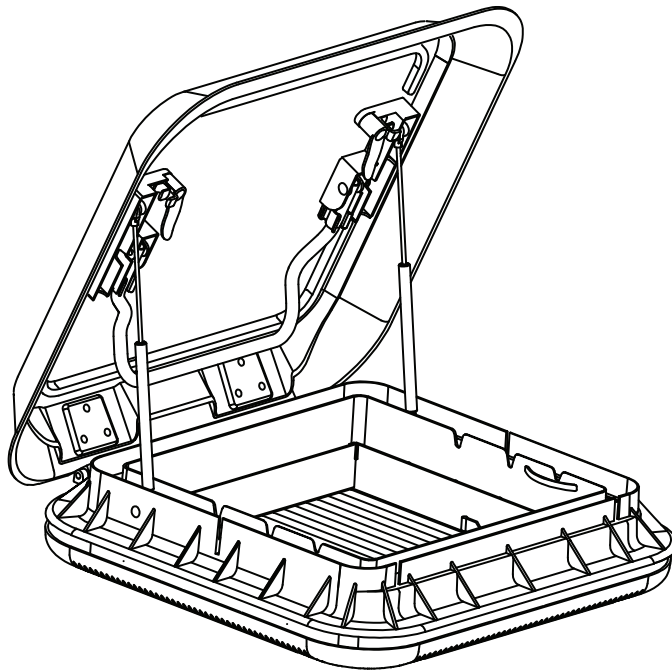




**EN** RV Roof Window User & Installation Manuals



Models: 400x450 / 700x500

1300 663 868 | [enquiries@aussietraveller.com.au](mailto:enquiries@aussietraveller.com.au) | [aussietraveller.com.au](http://aussietraveller.com.au)

BRISBANE SHOWROOM: 11-15 Oasis Court, Clontarf QLD 4019 | MELBOURNE SHOWROOM: 235 Barry Road, Campbellfield VIC 3061

# Table of Contents

---

## 400x450

### Use

Name of main part	-----	03
Notes	-----	04
Use of roof windows	-----	05

### Installation

Product Size	-----	09
Packing List	-----	10
Installation Precautions	-----	11
Installation of roof windows	-----	12

## 700x500

### Use & Installation

Installation Diagram	-----	16
Notes	-----	18
Product Size	-----	19

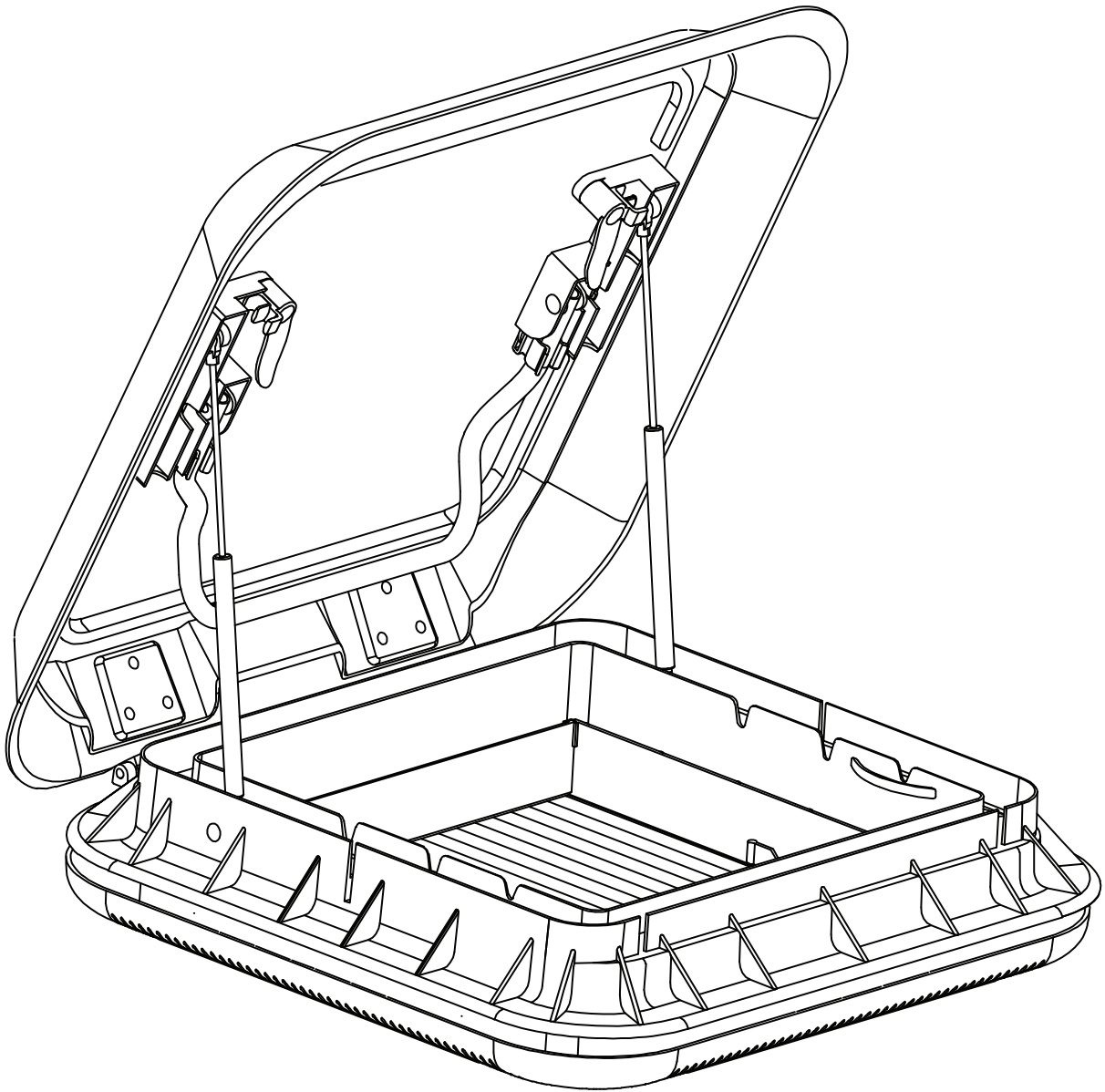
### Others

Warranty Statement	-----	20
--------------------	-------	----

○ Thank you for choosing the product! Please read this manual carefully before installation.  
○ After reading, please keep it properly for future reference.

# 400x450 Manual

**PART NUMBER:** 41304500400080



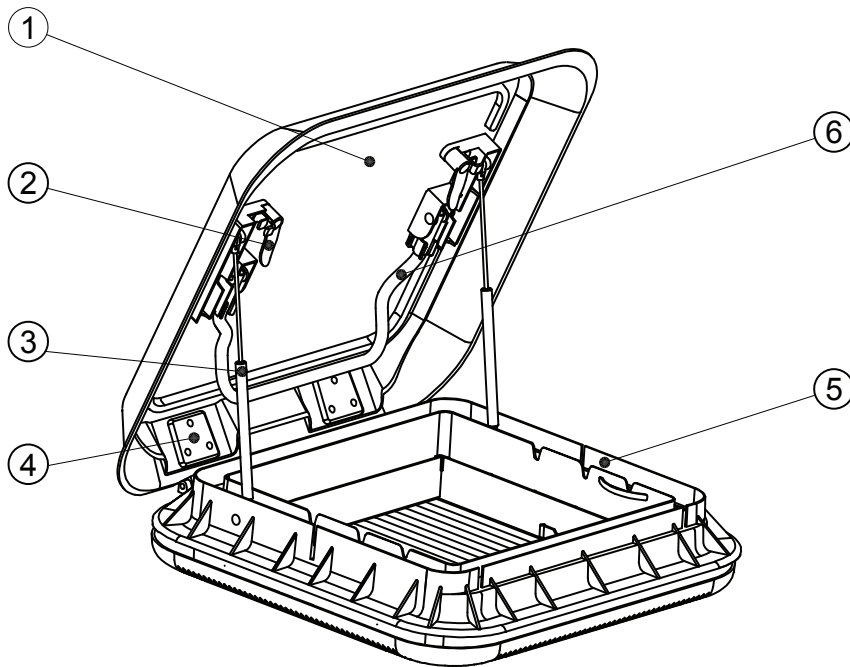
1300 663 868 | [enquiries@aussietraveller.com.au](mailto:enquiries@aussietraveller.com.au) | [aussietraveller.com.au](http://aussietraveller.com.au)

**BRISBANE SHOWROOM:** 11-15 Oasis Court, Clontarf QLD 4019 | **MELBOURNE SHOWROOM:** 235 Barry Road, Campbellfield VIC 3061

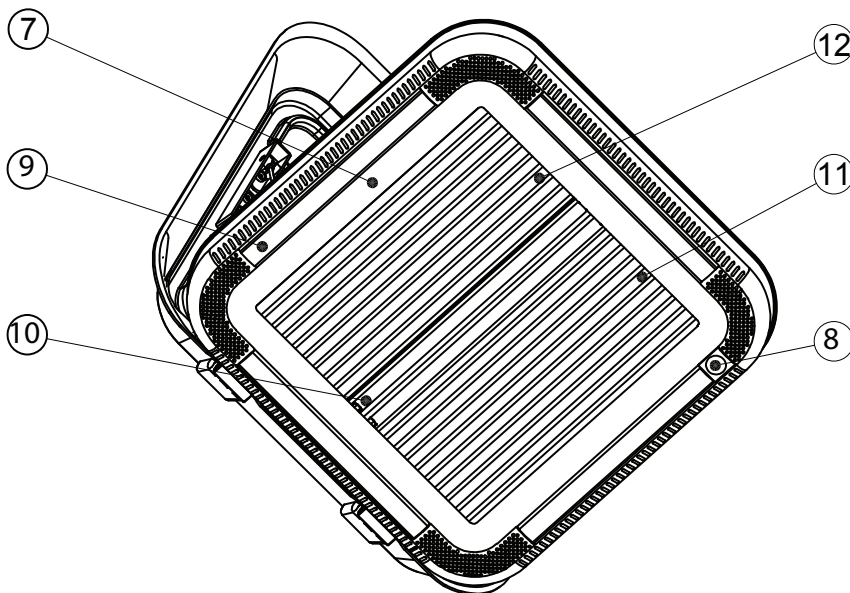
**AUSSIETRÄVELLER**

# Name of main part

## Roof window



- ① Double glazing acrylic dome
- ② Plastic handle
- ③ Gas struts
- ④ Hinge
- ⑤ ASA outer frame
- ⑥ Aluminum alloy push rod



- ⑦ ASA inner frame
- ⑧ Switch
- ⑨ Lamp covers
- ⑩ Pull rod with magnet
- ⑪ Pleated flyscreen
- ⑫ Pleated blind

1300 663 868 | enquiries@aussietraveller.com.au | aussietraveller.com.au





BRISBANE SHOWROOM: 11-15 Oasis Court, Clontarf QLD 4019 | MELBOURNE SHOWROOM: 235 Barry Road, Campbellfield VIC 3061

# Notes

Please read this manual carefully before installation. Install it strict accordance with the provisions of this manual.After reading,please keep this manual properly.

To avoid injury or property damage to users and others,please strictly follow the safety warnings and precautions.

## o Signs and Meanings

	Warning! Risk of serious injury or damage.
	Notification! It may result in damages failing to follow the instructions.
	The symbol indicates that the operation is prohibited.
	The symbol indicates information about the note.

### Warning!

- 1.Invite a professional to install the product.
- 2.It is strictly forbidden to disassemble, repair or modify the product by yourself, otherwise the manufacturer will not be responsible for any loss incurred.
- 3.Please close the sunroof top cover before driving, otherwise the top cover may be damaged when driving.
- 4.The maximum allowed driving speed does not exceed 130 km/h, otherwise the roof may be damaged and personal injury may be caused.

### Notification!

- 1.If the fault is not eliminated, please consult manufacturer immediately.
- 2.Do not step on the glass dome.
- 3.Check that the roof windows are locked before driving.
- 4.When opening or closing the roof window, make sure that there are no obstacles on top surface.
- 5.Before starting your journey, inspect roof windows for damage (eg cracks in the glass).
- 6.Do not open the roof window while driving.
- 7.Do not open the roof window in strong winds or under heavy rain.

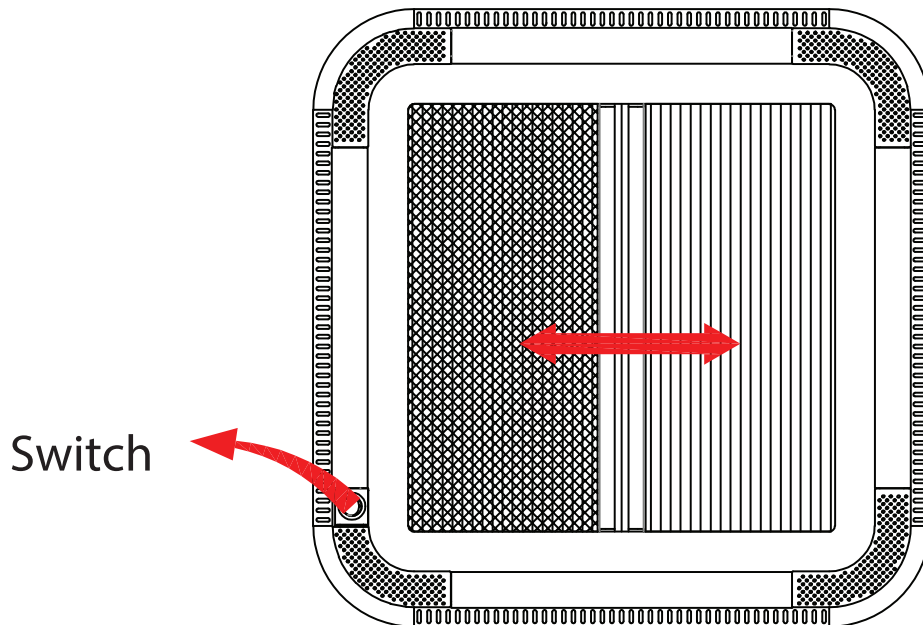
1300 663 868 | enquiries@aussietraveller.com.au | aussietraveller.com.au

BRISBANE SHOWROOM: 11-15 Oasis Court, Clontarf QLD 4019 | MELBOURNE SHOWROOM: 235 Barry Road, Campbellfield VIC 3061

# Use of Roof Windows

---

## Curtains and Lights



**Light Control:** Switch to control light on or off.

**Use of curtains:** Pleated blind and pleated flyscreen can be adjusted arbitrarily by pulling rods. (two rods can be used at the same time or separately)



Turn off the power when leaving the car for a long time!

1300 663 868 | [enquiries@aussietraveller.com.au](mailto:enquiries@aussietraveller.com.au) | [aussietraveller.com.au](http://aussietraveller.com.au)

BRISBANE SHOWROOM: 11-15 Oasis Court, Clontarf QLD 4019 | MELBOURNE SHOWROOM: 235 Barry Road, Campbellfield VIC 3061

# Use of Roof Windows

Open the dome (60°)

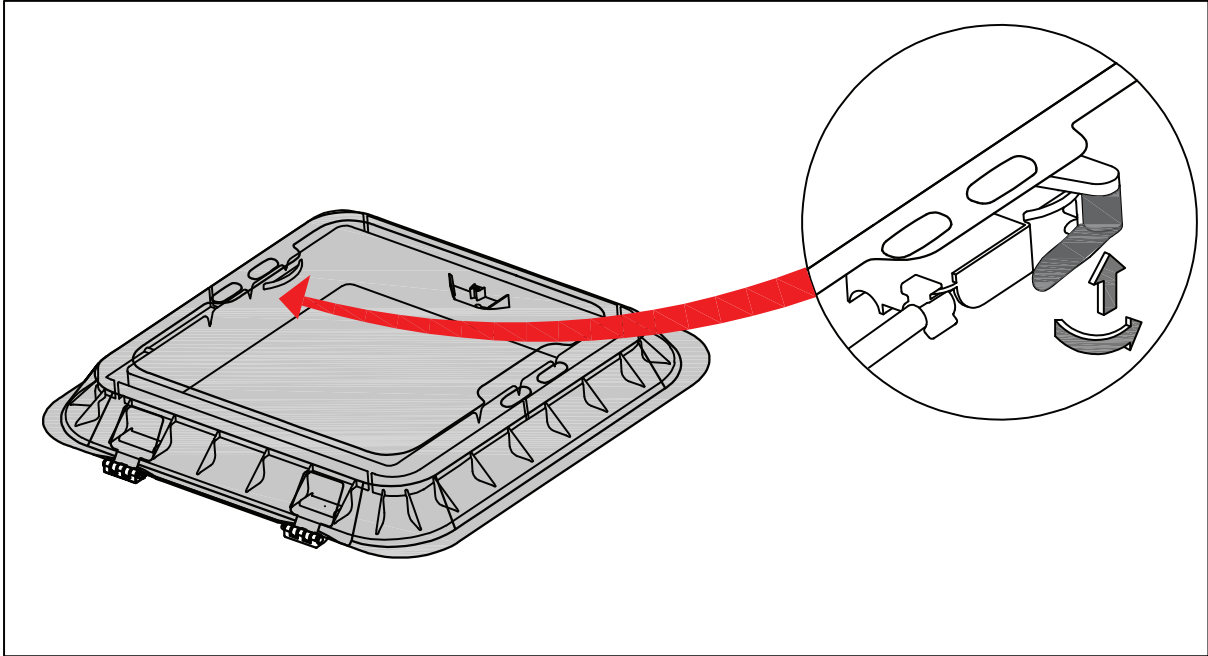


Figure 1

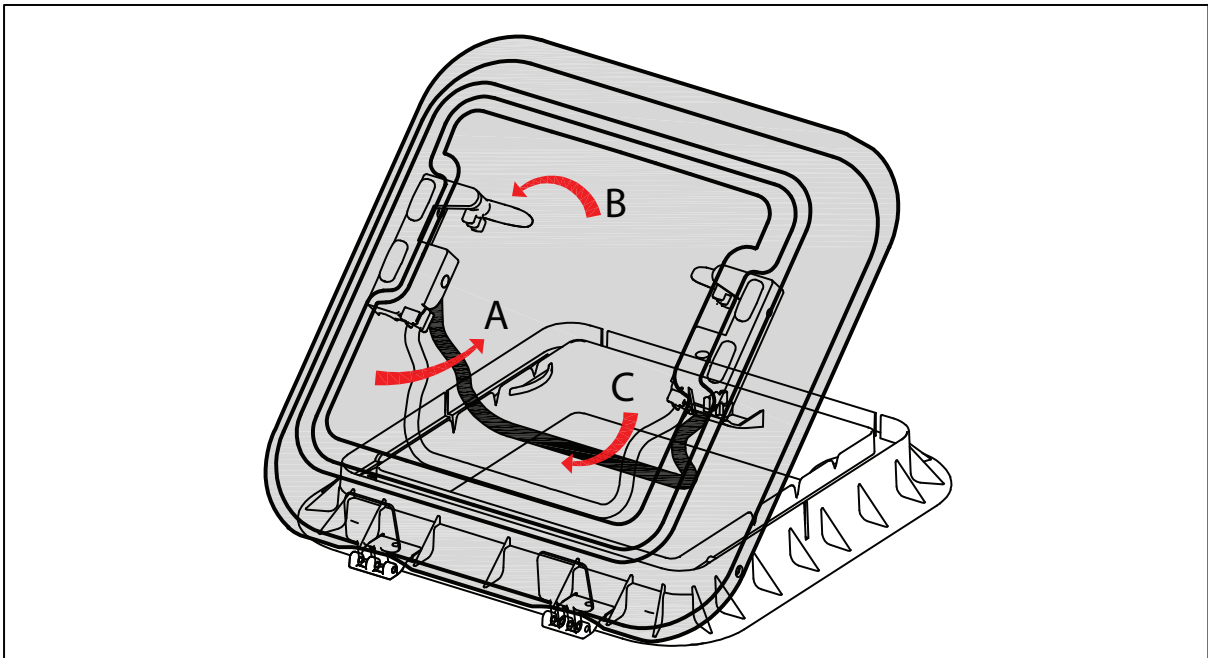


Figure 2



Please close the dome when driving, otherwise the product may be damaged. Please close roof window in time in bad weather such as rain and snow.

1300 663 868 | [enquiries@aussietraveller.com.au](mailto:enquiries@aussietraveller.com.au) | [aussietraveller.com.au](http://aussietraveller.com.au)

BRISBANE SHOWROOM: 11-15 Oasis Court, Clontarf QLD 4019 | MELBOURNE SHOWROOM: 235 Barry Road, Campbellfield VIC 3061



# Use of Roof Windows

Open the dome (10° )

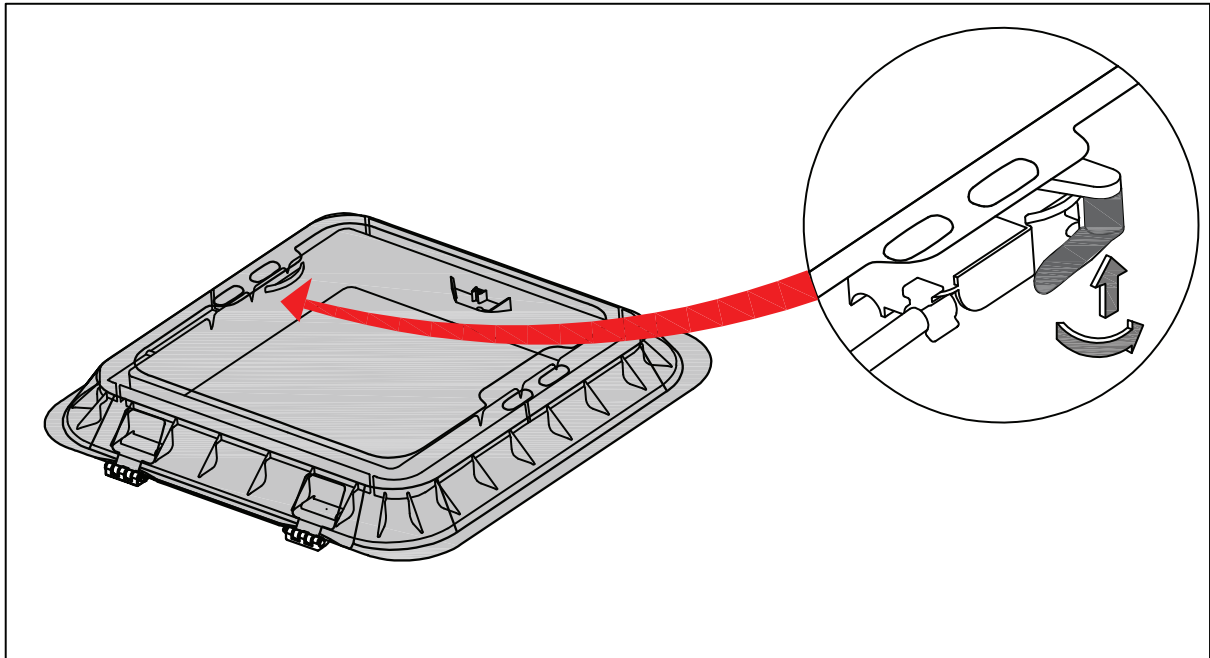


Figure 3

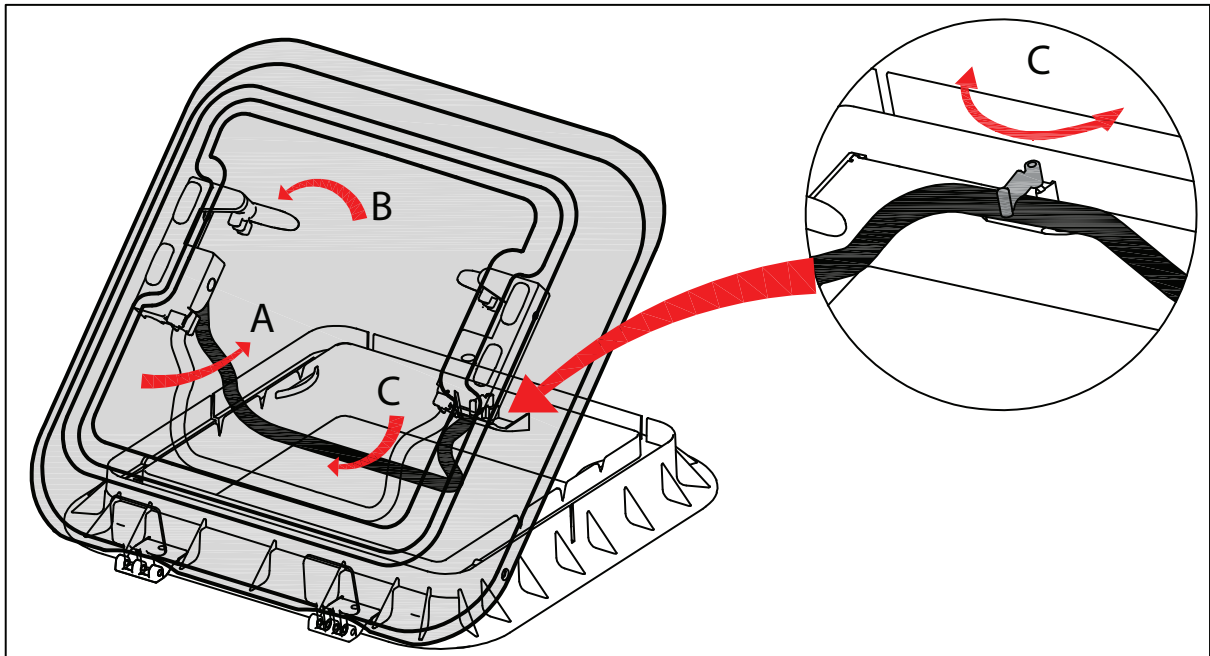


Figure 4



Please make sure the rod is fixed securely.

1300 663 868 | enquiries@aussietraveller.com.au | aussietraveller.com.au

BRISBANE SHOWROOM: 11-15 Oasis Court, Clontarf QLD 4019 | MELBOURNE SHOWROOM: 235 Barry Road, Campbellfield VIC 3061





# Use of Roof Windows

## Open the dome (2° )

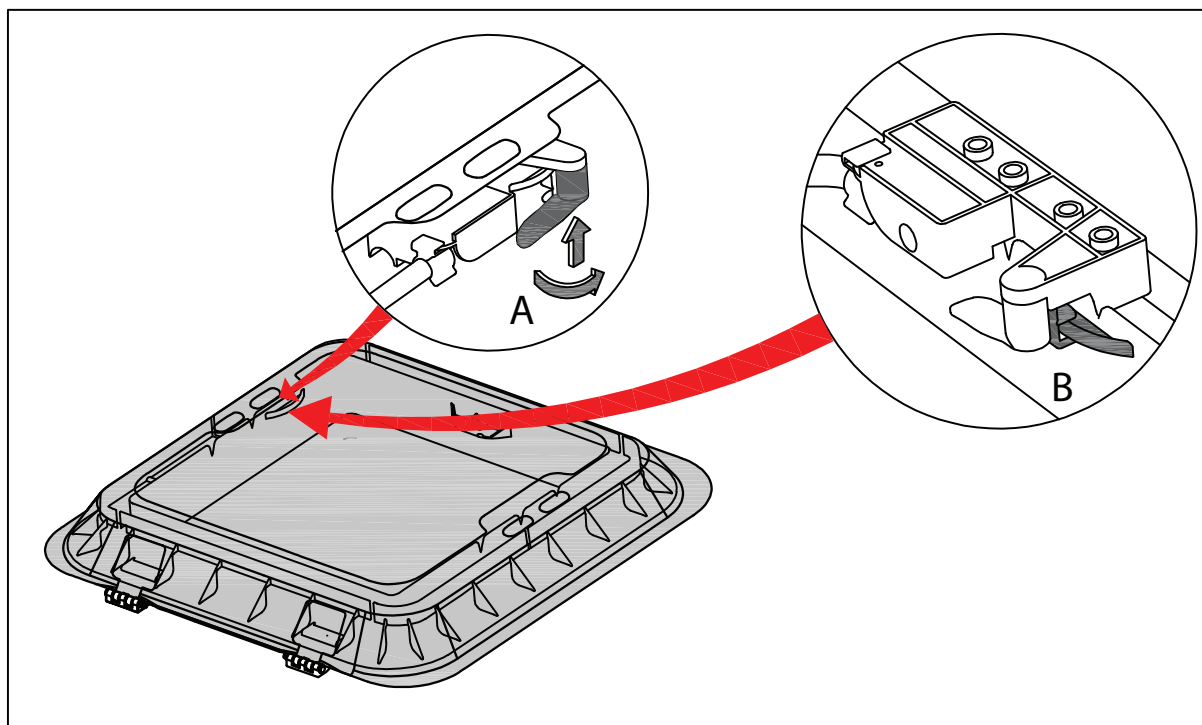


Figure 5

## Open the dome (60°)

Operation steps:

1. Press handle button and rotate it to 90° (see Figure 1).
2. Pull the rod out (operation A) and push dome up (operation B) (see Figure 2).  
After opening, the dome is supported by two gas struts.
3. Press the rod back to its original state (operation C).
4. To close it, do the operations in reverse order.

## Open the dome (10°)

Operation steps:

1. Press the handle button and rotate it to 90° (see Figure 3).
2. Pull the rod out (operation A) and push dome up (operation B) (see Figure 4).  
After opening, the dome is supported by two gas struts.
3. Open the two buckles, place the pull rod at the buckles, and then fix the pull rod with buckle (operation C)

## Open the dome (2°)

Operation steps:

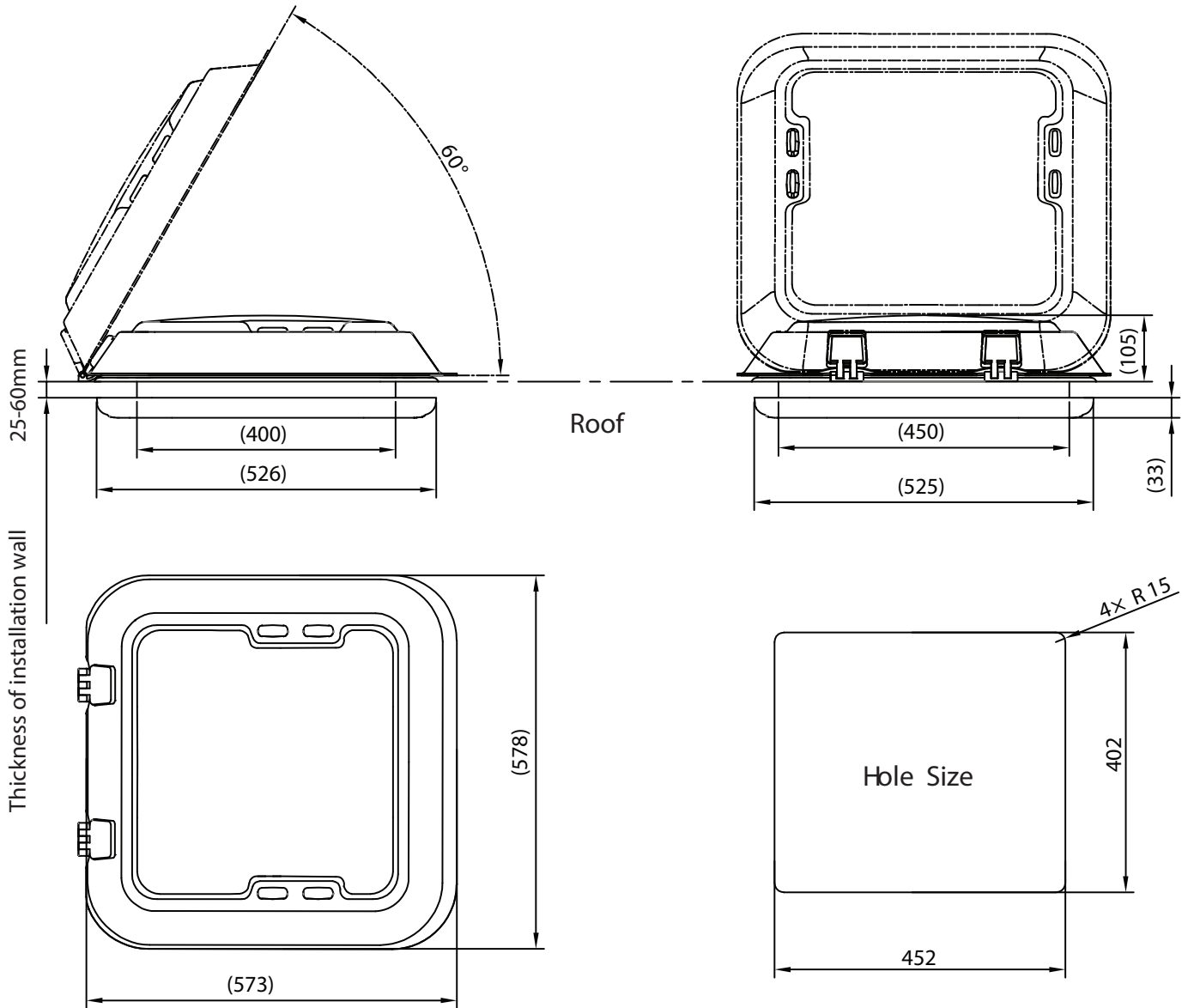
1. Press the handle button and rotate the handle to 90° (operation A) (see Figure 5).
2. Rotate the handle and snap the handle to the second step (operation B)
3. To close it, do the operations in reverse order.

1300 663 868 | enquiries@aussietraveller.com.au | aussietraveller.com.au

BRISBANE SHOWROOM: 11-15 Oasis Court, Clontarf QLD 4019 | MELBOURNE SHOWROOM: 235 Barry Road, Campbellfield VIC 3061

# Product Size

Unit : mm

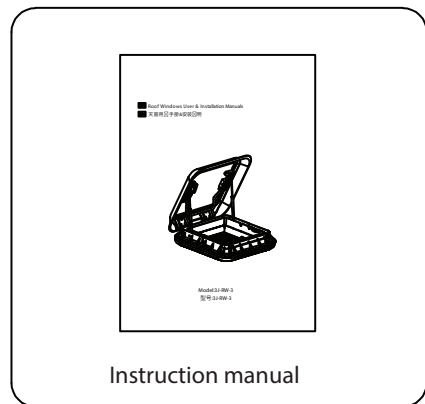
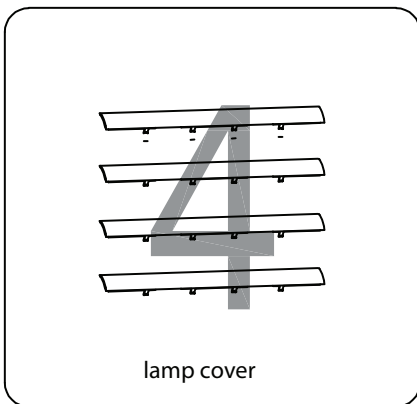
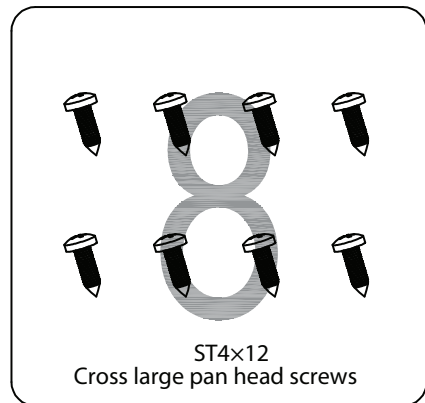
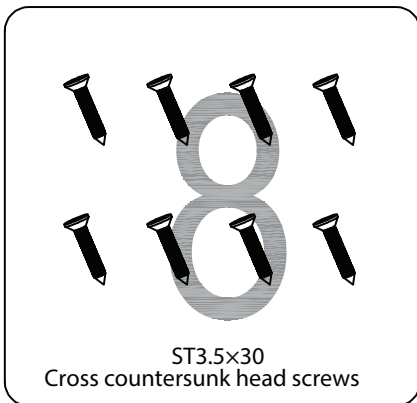
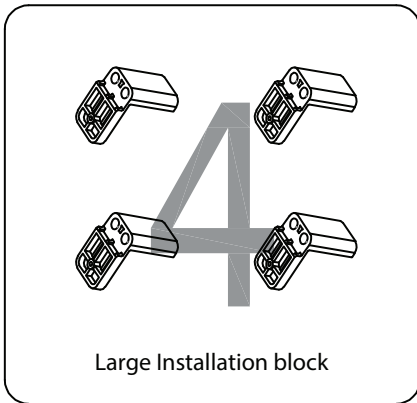
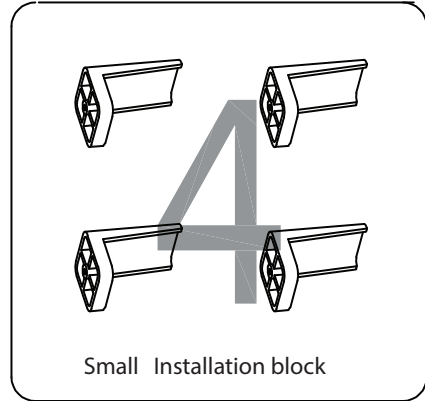
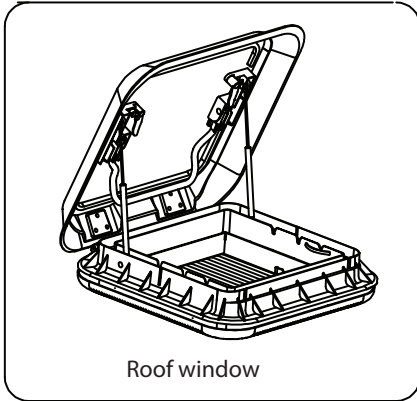


1300 663 868 | [enquiries@aussietraveller.com.au](mailto:enquiries@aussietraveller.com.au) | [aussietraveller.com.au](http://aussietraveller.com.au)

BRISBANE SHOWROOM: 11-15 Oasis Court, Clontarf QLD 4019 | MELBOURNE SHOWROOM: 235 Barry Road, Campbellfield VIC 3061



# Packing List



The package is suitable for 35mm wall thickness.

1300 663 868 | enquiries@aussietraveller.com.au | aussietraveller.com.au

BRISBANE SHOWROOM: 11-15 Oasis Court, Clontarf QLD 4019 | MELBOURNE SHOWROOM: 235 Barry Road, Campbellfield VIC 3061

# Installation Precautions



## Installation precautions:

1. The power is 12V DC.
2. The roof window is only suitable for flat roofs ( maximum inclination angle 15°).
3. When installing roof window, select appropriate self-tapping screws according to the thickness of roof(see the table below).
4. Be careful not to damage the interior components and structures (especially the power cord) when opening holes in the roof.

Mounting screw specification table

No.	Spec.	Name	Suitable wall thickness	Note
1	ST3.5×25	Stainless Steel cross pan head screws	25-29mm	Not included
2	ST3.5×30	Stainless Steel cross pan head screws	30-35mm	included in List
3	ST3.5×35	Stainless Steel cross pan head screws	36-38mm	Not included
4	ST3.5×40	Stainless Steel cross pan head screws	39-45mm	Not included
5	ST3.5×45	Stainless Steel cross pan head screws	46-51mm	Not included
6	ST3.5×50	Stainless Steel cross pan head screws	52-57mm	Not included
7	ST3.5×55	Stainless Steel cross pan head screws	58-60mm	Not included
8	ST3.5×25	cross countersunk head screws	25-29mm	Not included
9	ST3.5×30	cross countersunk head screws	30-35mm	included in List
10	ST3.5×35	cross countersunk head screws	36-38mm	Not included
11	ST3.5×40	cross countersunk head screws	39-45mm	Not included
12	ST3.5×45	cross countersunk head screws	46-51mm	Not included
13	ST3.5×50	cross countersunk head screws	52-57mm	Not included
14	ST3.5×55	cross countersunk head screws	58-60mm	Not included

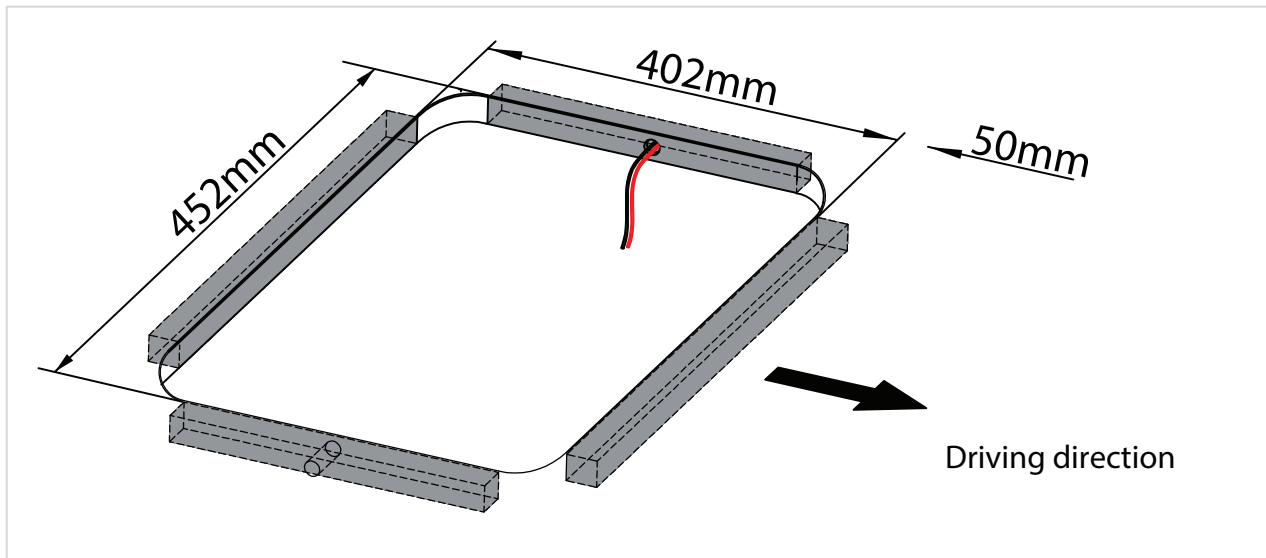
1300 663 868 | enquiries@aussietraveller.com.au | aussietraveller.com.au

BRISBANE SHOWROOM: 11-15 Oasis Court, Clontarf QLD 4019 | MELBOURNE SHOWROOM: 235 Barry Road, Campbellfield VIC 3061



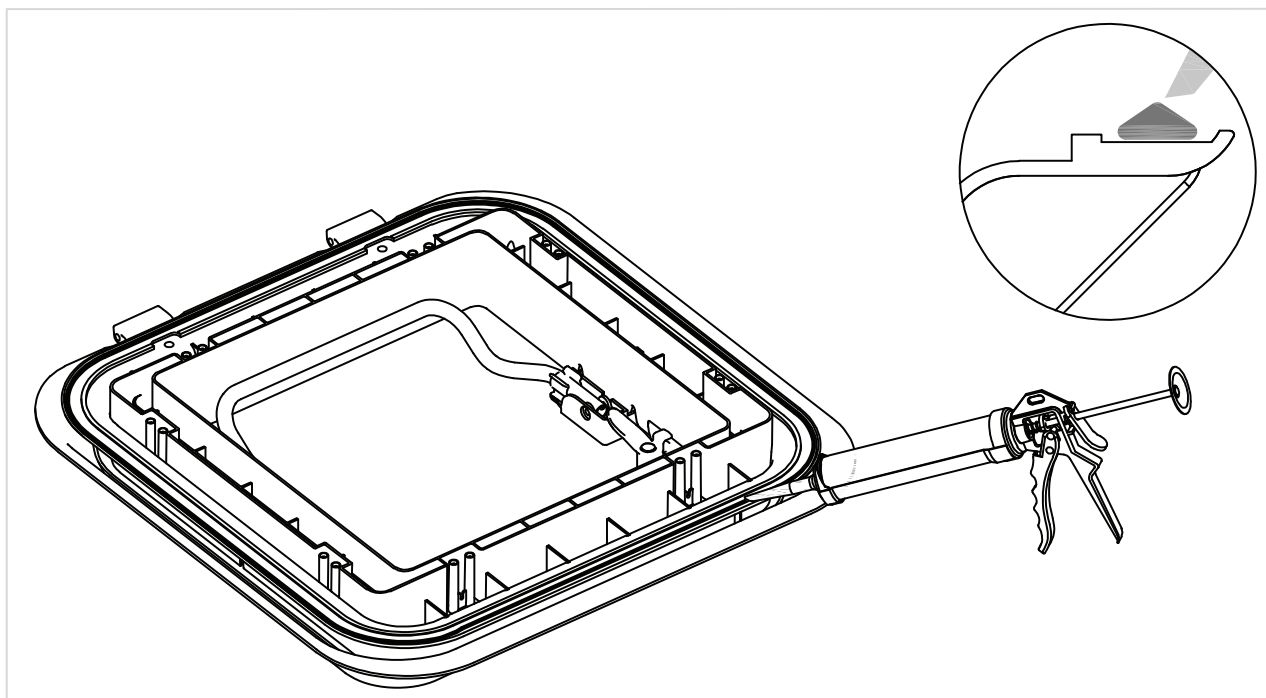
# Installation of Roof Windows

1. Find the hole size drawing on the [Product Size] page, open a mounting hole on the roof (a solid wall with a width of  $\geq 50\text{mm}$  is required around the hole), reserve  $\geq 50\text{mm}$  power cord on the left or right side of the hole.



Please pay attention to the thickness of the wall before installing.  
This package is suitable for 35mm wall thickness.

2. Apply a ring of sealant (for example: Sika 710) evenly in the groove of outer frame.



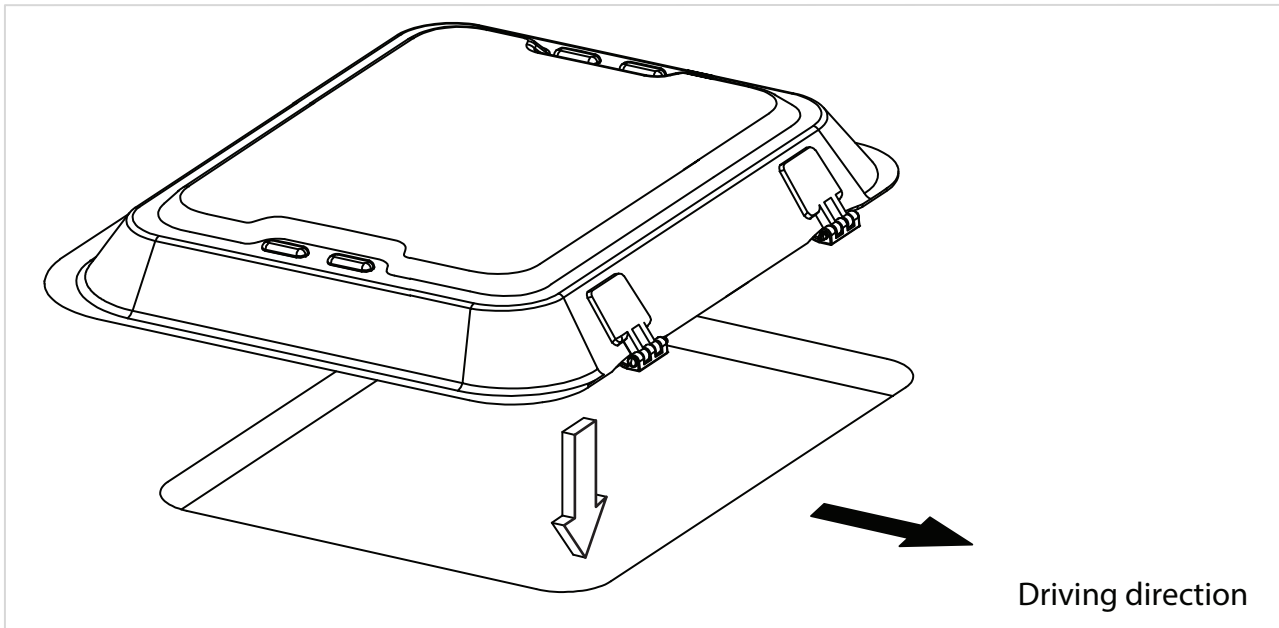
Please apply glue according to the instructions for use of the sealant.

1300 663 868 | [enquiries@aussietraveller.com.au](mailto:enquiries@aussietraveller.com.au) | [aussietraveller.com.au](http://aussietraveller.com.au)

BRISBANE SHOWROOM: 11-15 Oasis Court, Clontarf QLD 4019 | MELBOURNE SHOWROOM: 235 Barry Road, Campbellfield VIC 3061

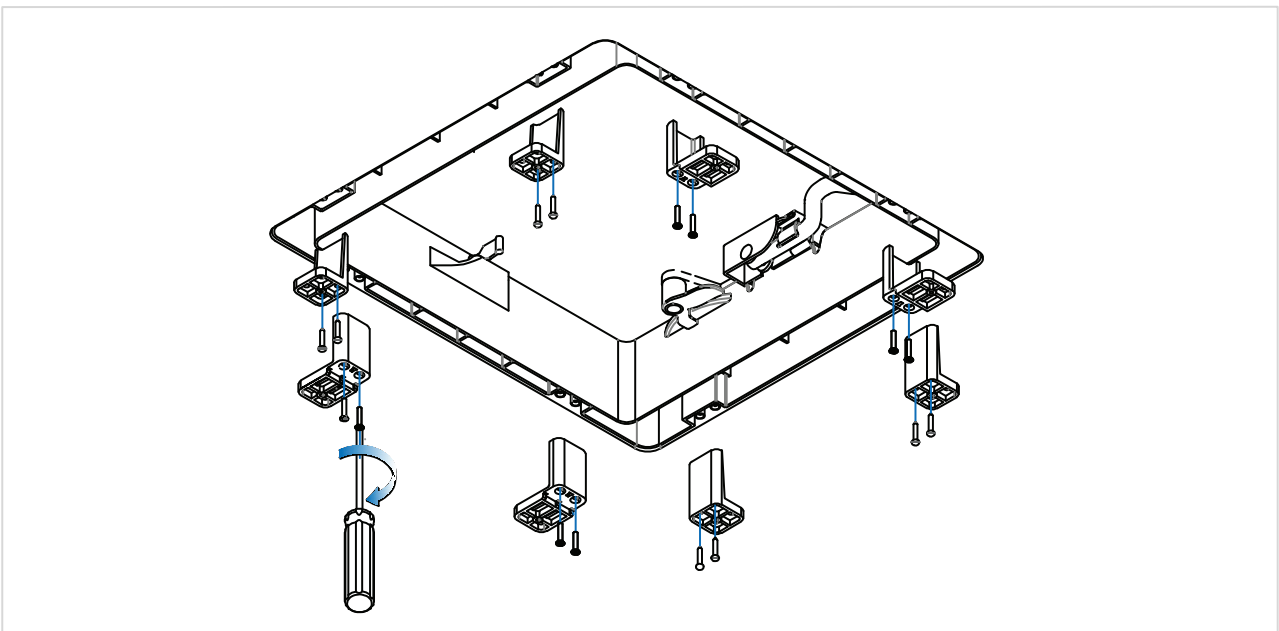
# Installation of Roof Windows

3. Put the roof windows into the opening and press the outer frame to spread sealant evenly.



Please pay attention to the installation direction before installation (the hinge towards driving direction).

4. Use 8 ST3.5Ú22 cross pan head screws and 8 ST3.5Ú22 cross countersunk head screws from inside to fix the outer frame through 4 small installation blocks (cross pan head screws) and 4 large installation blocks (cross countersunk head screws) (Take note the position of installation blocks).



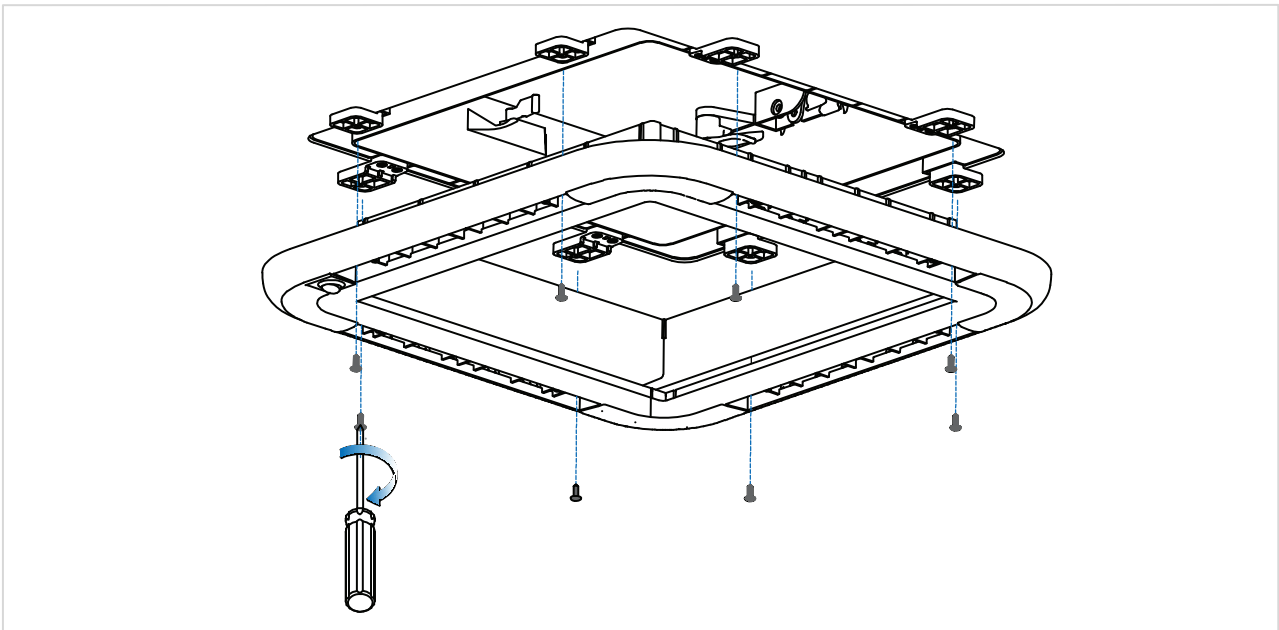
The mounting screw torque is  $\leq 1.5\text{N.m}$ .

1300 663 868 | enquiries@aussietraveller.com.au | aussietraveller.com.au

BRISBANE SHOWROOM: 11-15 Oasis Court, Clontarf QLD 4019 | MELBOURNE SHOWROOM: 235 Barry Road, Campbellfield VIC 3061

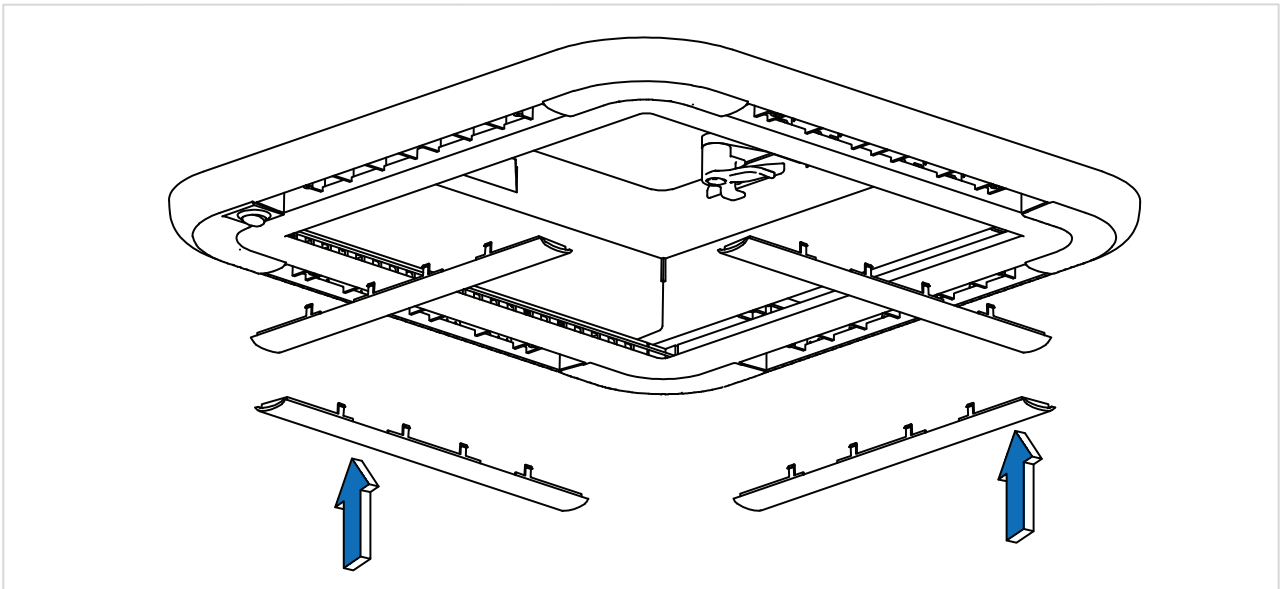
# Installation of Roof Windows

5. Fix the inner frame to the outer frame with 8 ST4U12 cross large pan head screws from the inside.



**i** The mounting screw torque is  $\leq 1.5\text{N.m}$ .

6. Snap the 4 lamp covers to the grooves in the inner frame of the roof window.



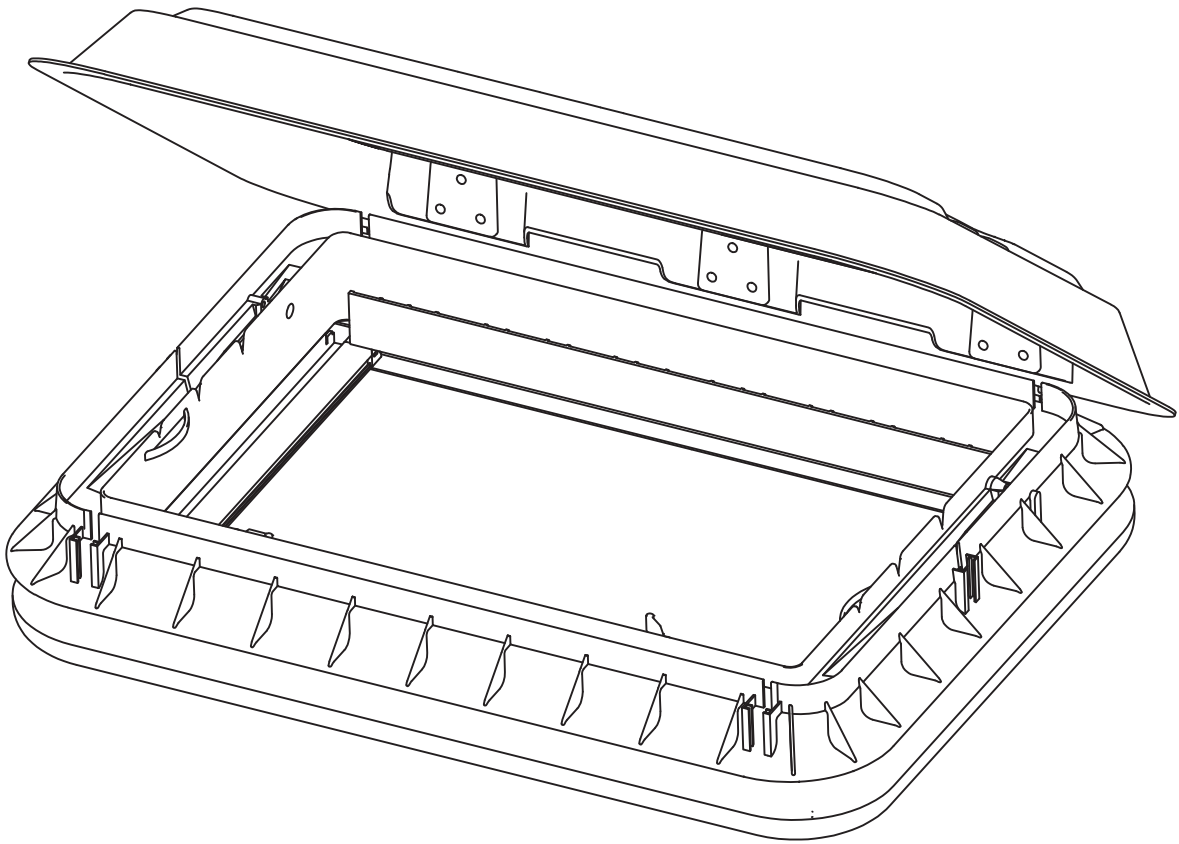
**i** Please tear off the protective film on the top of the glass in time.  
After installation, please check if the light is working properly.

1300 663 868 | [enquiries@aussietraveller.com.au](mailto:enquiries@aussietraveller.com.au) | [aussietraveller.com.au](http://aussietraveller.com.au)

BRISBANE SHOWROOM: 11-15 Oasis Court, Clontarf QLD 4019 | MELBOURNE SHOWROOM: 235 Barry Road, Campbellfield VIC 3061

# 700x500 Manual

**PART NUMBER:** 41307000500080



Model: 700x500

1300 663 868 | [enquiries@aussietraveller.com.au](mailto:enquiries@aussietraveller.com.au) | [aussietraveller.com.au](http://aussietraveller.com.au)

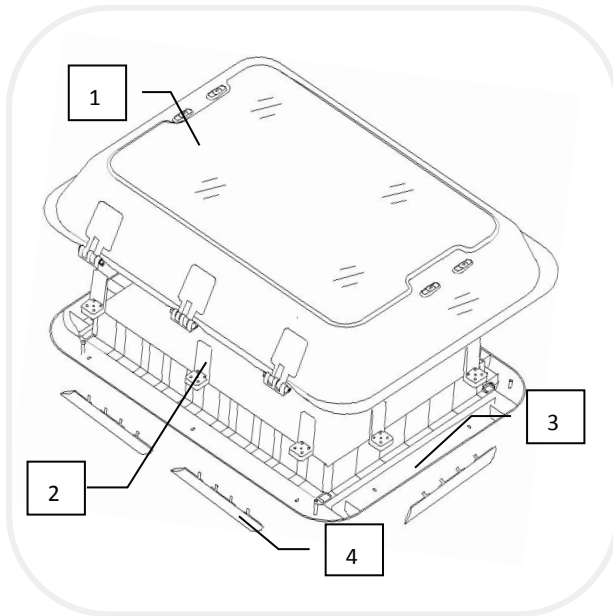
**BRISBANE SHOWROOM:** 11-15 Oasis Court, Clontarf QLD 4019 | **MELBOURNE SHOWROOM:** 235 Barry Road, Campbellfield VIC 3061



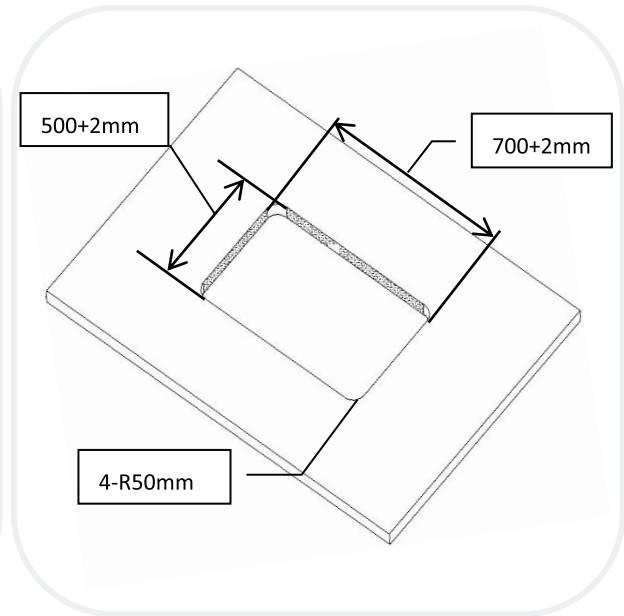


# Installation Diagram

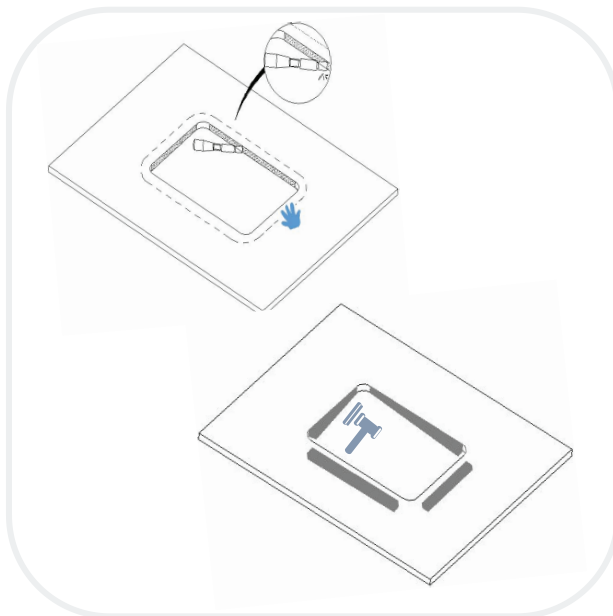
Thank you for choosing this product. This product is mainly composed of high-performance ASA inner and outer shell and PMMA double-layer glass. To help you install easily and quickly, please read these instructions carefully before installation.



**1. Outer shell; 2. Securing clip;  
3. Inner shell; 4. Lamp cover**



**Diagram 1. Cut hole size on roof**



**Diagram 2. Reinforce roof openings and  
clean up the installation area**

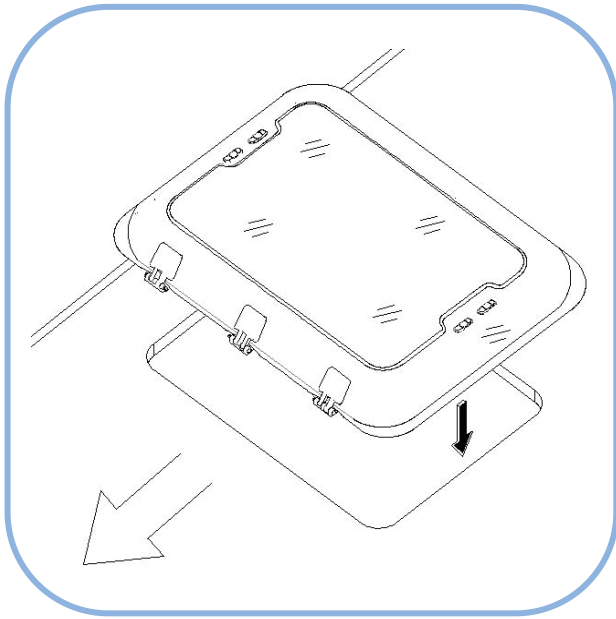


**Diagram 3. Glue the outer shell**

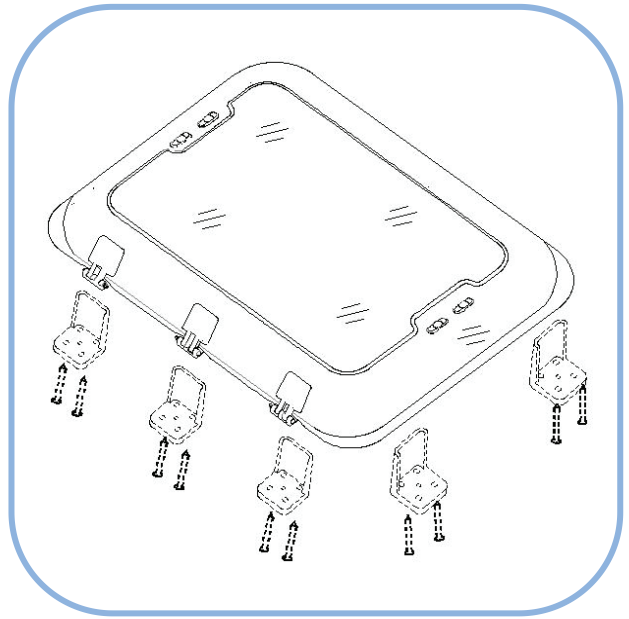
1300 663 868 | [enquiries@aussietraveller.com.au](mailto:enquiries@aussietraveller.com.au) | [aussietraveller.com.au](http://aussietraveller.com.au)

BRISBANE SHOWROOM: 11-15 Oasis Court, Clontarf QLD 4019 | MELBOURNE SHOWROOM: 235 Barry Road, Campbellfield VIC 3061

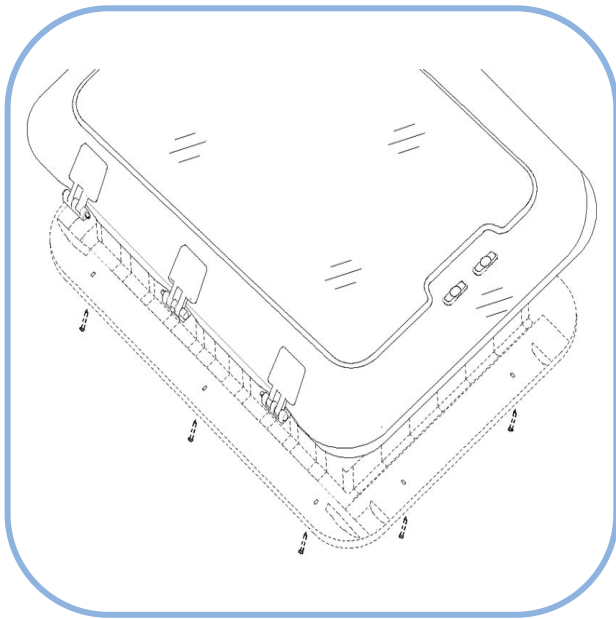
# Installation Diagram



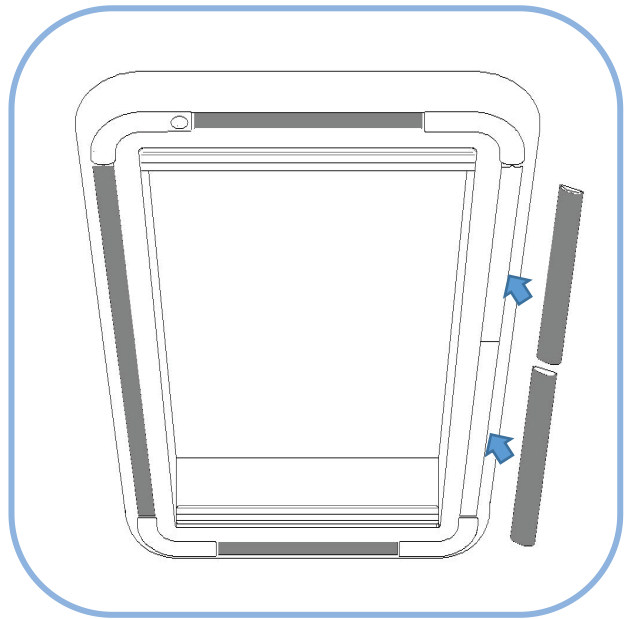
**Diagram 4. Installation Direction, hinge side facing to front of RV (direction of travel)**



**Diagram 5. Screw the outer shell**



**Diagram 6. Screw the inner shell**



**Diagram 7. When installing LED Lamp covers (4), please install gently to avoid breaking cover clips.**

1300 663 868 | [enquiries@aussietraveller.com.au](mailto:enquiries@aussietraveller.com.au) | [aussietraveller.com.au](http://aussietraveller.com.au)

BRISBANE SHOWROOM: 11-15 Oasis Court, Clontarf QLD 4019 | MELBOURNE SHOWROOM: 235 Barry Road, Campbellfield VIC 3061

# Notes

---

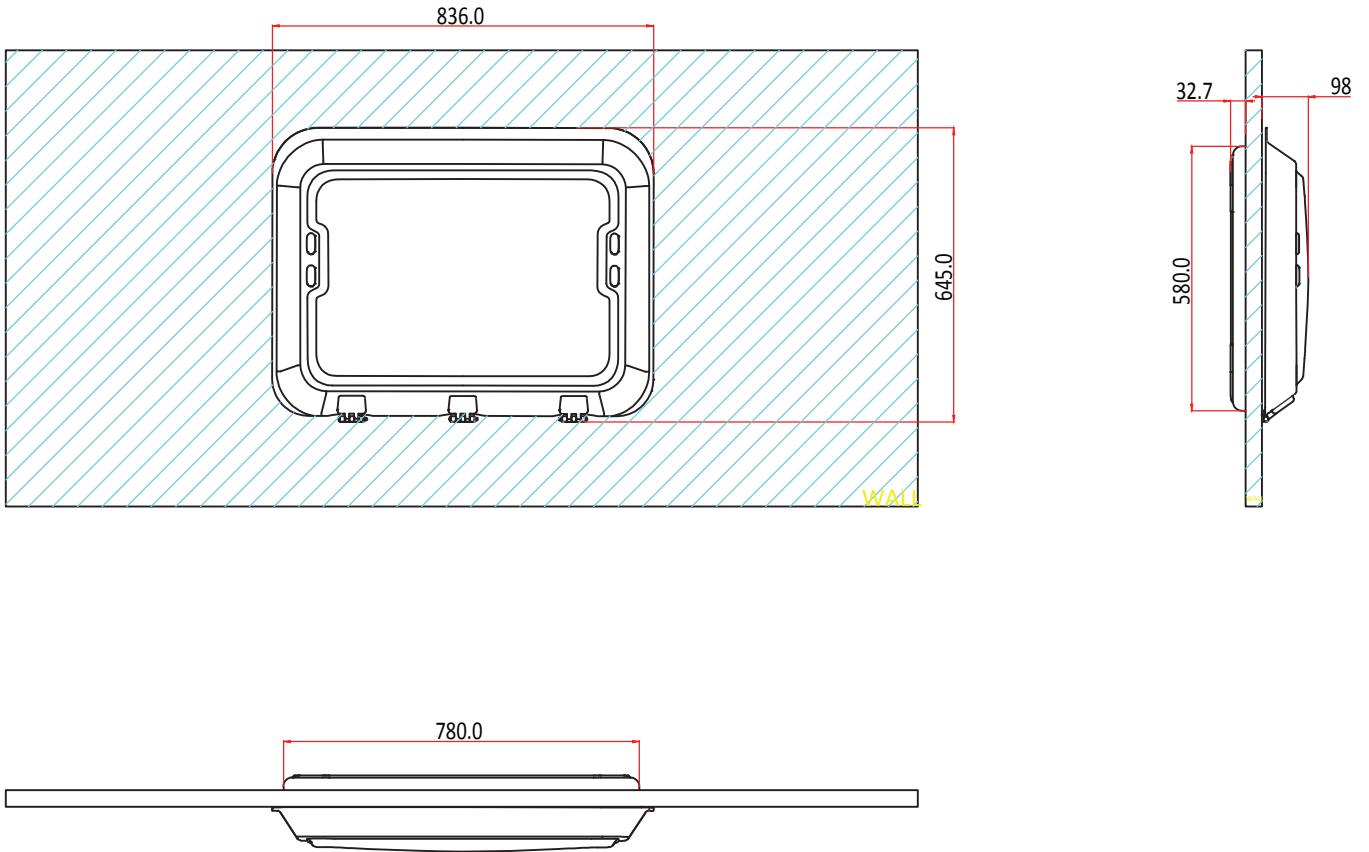
- 1. The power supply line of the roof window, which is 12V DC, red is "+", black is "-", should be connected to the vehicle power cord. (The switch button should be close to the vehicle power cord when the inner shell is installed).**
- 2. The roof window is only suitable for flat roof (maximum tilt angle: 15°).**
- 3. Before installing the roof window, check the thickness of the roof and select the appropriate self-tapping screws.**
- 4. Don't damage the interior components and structures (especially the power cord) when cutting the roof.**
- 5. Don't damage the power cord inside the vehicle body, if you need to reinforce the keel.**
- 6. The installation area should be cleaned after cutting the roof to avoid uneven installation and cause water leakage.**
- 7. The sealant will spread due to being squeezed by the outer shell, so it should not be used in excess.**
- 8. When installing the lamp cover, it should be noted that the pattern should be same as that of the frame.**
- 9. After installation, do not use alcohol, ketones and other organic solvents to wipe the acrylic, please use water or special cleaning agent to clean it.**
- 10. The maximum allowable speed of the vehicle cannot exceed 130km/h, after the closure of the roof window.**
- 11. Ensure when travelling the roof window is in the LOCKED position.**
- 12. Before driving, ensure the pleated blind are open to avoid damage.**
- 13. Installation should only be performed by a qualified installer.**

1300 663 868 | [enquiries@aussietraveller.com.au](mailto:enquiries@aussietraveller.com.au) | [aussietraveller.com.au](http://aussietraveller.com.au)

BRISBANE SHOWROOM: 11-15 Oasis Court, Clontarf QLD 4019 | MELBOURNE SHOWROOM: 235 Barry Road, Campbellfield VIC 3061



# Product Size



1300 663 868 | [enquiries@aussietraveller.com.au](mailto:enquiries@aussietraveller.com.au) | [aussietraveller.com.au](http://aussietraveller.com.au)

BRISBANE SHOWROOM: 11-15 Oasis Court, Clontarf QLD 4019 | MELBOURNE SHOWROOM: 235 Barry Road, Campbellfield VIC 3061



# WARRANTY STATEMENT

Aussie Traveller Pty Ltd ACN 642 775 460 (**Aussie Traveller**) offers the following warranty in relation to the products it supplies directly or through an authorised manufacturer, dealer or approved service repair agent (**Product**).

## Australian Consumer Law

The benefits of this warranty are in addition to any rights and remedies imposed by Australian State and Federal legislation that cannot be excluded. Nothing in this warranty is to be interpreted as excluding, restricting or modifying any State or Federal legislation applicable to the supply of goods and services which cannot be excluded, restricted or modified.

If you are a consumer as defined in the Australian Consumer Law: *Our goods come with guarantees that cannot be excluded under the Australian Consumer Law. You are entitled to a replacement or refund for a major failure and compensation for any other reasonably foreseeable loss or damage. You are also entitled to have the goods repaired or replaced if the goods fail to be of acceptable quality and the failure does not amount to a major failure.*

## Warranty

Aussie Traveller warrants that, subject to the exclusions and limitations below, all parts of the manufacture and assembly of the Product will be free from defects in materials and workmanship (**Warranty**) for a period of 12 months from the date of purchase as follows:

1. This Warranty is activated at the time of purchase by the final retail customer (being the owner of the Product).
2. In the event the Product is purchased by a manufacturer, dealer or approved service repair agent, this Warranty will commence at the time the final retail customer makes payment for the Product to the wholesale purchaser.
3. If the Product is purchased directly from Aussie Traveller for use by final retail customer and not to be on sold in any way, the Warranty will commence at the time of the original purchase.

## Warranty Period

This Warranty cannot be assigned or transferred to a subsequent owner of the Product.

The purchaser or final retail customer should inspect the Product immediately when received or at vehicle handover, to ensure that it appears free from any damage or defect, and matches the description provided.

If after accepting the Product, a defect appears in the manufacture or assembly of the Product before the end of the Warranty Period and Aussie Traveller finds the Product to be defective in materials or workmanship, Aussie Traveller will, in its sole discretion, either:

- a. replace, repair or refund the Product or the defective part of the Product free of charge; or
- b. cause the Product or the defective part of the Product to be replaced or repaired by a qualified repairer free of charge.

In arranging Warranty inspection, service and repair, Aussie Traveller will seek to provide the details of an approved service agent within your geographic area. Should one not be available, or if the Product is in use in travel, Aussie Traveller reserves the right to seek to arrange a repair or replacement at the next available location on the route of travel.

Aussie Traveller reserves the right to replace defective parts of the Product with parts and components of similar quality, grade and composition where an identical part or component is not available.

Products presented for repair may be replaced by refurbished goods of the same type rather than being repaired. Refurbished parts may be used to repair the Product.

## Aussie Traveller Awning Products

This Warranty covers specified defects in materials or workmanship for Awning Products as follows:

1. The vinyl fabric is warranted against:
  - a. holes caused by mildew (mildew will form on dust and dirt and stain fabric if fabric is not kept clean).
  - b. excessive cracking, peeling, hardening or loss of strength while used under normal conditions.
  - c. excessive fading (a slight colour change may occur due to ultraviolet rays).
2. All hardware components including the roller are warranted not to bend or break under normal use (excluding high winds, water pooling and accidents).

## Making a Warranty Claim

If a defect covered by this Warranty appears, the Customer must first contact Aussie Traveller within 7 days of first becoming aware of the defect. Aussie Traveller will assist the Customer to rectify and resolve any Product issue that may arise.

When making a claim under this Warranty, Aussie Traveller requires that the following information be provided before any further action will be taken.

1. Original Invoice (Document or Number);
2. Make and model of the Product;
3. Make and model of the vehicle (if Product fitted);
4. ehicle build date (if Product fitted);
5. Vehicle chassis number;

6. Description of damage and/or repair required;
7. Photos of the damage and/or repair; and
8. Appropriate documentation (such as historical and maintenance records).

Aussie Traveller reserves the right to request more information or images should what is provided not be sufficient to make an assessment for the Warranty claim.

The Product must be made available to Aussie Traveller or its authorised repair agent for inspection and testing. If such inspection and testing find no defect in the Product, the final retail customer must pay Aussie Traveller's usual costs of service work and testing.

The final retail customer must bear the cost of the transport of the Product to and from Aussie Traveller or the authorised repair agent, and all insurance of the Product.

## Exclusions

This Warranty will not apply where:

- the Product has been repaired, altered or modified by someone other than Aussie Traveller, or without the written consent of Aussie Traveller or an authorised repair agent;
- the alleged defect in the Product is within acceptable industry tolerances and variances;
- Aussie Traveller cannot establish any fault in the Product after testing and inspection;
- the Product has been used other than for the purpose for which it was designed;
- the alleged defect in the Product has arisen due to the final retail customer's failure to properly use and
- maintain the Product in accordance with any of Aussie Traveller's instructions, recommendations and specifications (including applicable maintenance schedules);
- the alleged defect in the Product has arisen due to the final retail customer's request to customise the Product;
- the Product has been subject to abnormal conditions, including environment, temperature, high or excessive wind, water, fire, humidity, pressure, stress or similar;
- the alleged defect has arisen due to abuse, misuse, neglect or accident;
- unauthorised parts or accessories have been used on or in relation to the Product;
- the Product has been overloaded or involved in an accident;
- the alleged damage or defect has been caused by normal wear and tear;
- the alleged damage to fabric has been caused by storm, wind or rain, or stretching of fabric caused by water pooling on fabric;
- breakage or bending of hardware components has been caused by storm, wind or rain, or water pooling on fabric.

## Replacement Warranty Item

If, under Warranty, a Product is replaced or repaired by Aussie Traveller or an Aussie Traveller agent, unless provided in writing to indicate otherwise, the replacement Product will carry the **remaining** Warranty terms and conditions, including length of time, of the original purchased Product.

## Change of Mind

Aussie Traveller understands that at times, final retail customers may change their mind. Choose carefully as return and credit requests for items purchased by mistake or "change of mind" reasons may not be approved. Aussie Traveller will not accept Product returns under these circumstances unless by written approval by an authorized Aussie Traveller representative. If approved, an administration and restocking fee may apply.

## Limitations

Aussie Traveller makes no express warranties or representations other than set out in this Warranty.

The repair or replacement of the Product or part of the Product is the absolute limit of Aussie Traveller's liability under this express Warranty.

## Contact

**Australia Wide:** 1300 663 868

**Melbourne Office**  
 235 Barry Road  
 Campbellfield, Melbourne, 3061  
 Ph: +61 3 9357 6565  
 enquiries@aussietraveller.com.au

**Brisbane Head Office, Factory & Showroom**  
 11-15 Oasis Court  
 Clontarf, Brisbane, 4019  
 Ph: +61 7 3284 3284  
 enquiries@aussietraveller.com.au

To receive a copy of the Aussie Traveller Warranty Terms & Conditions or information regarding specific Aussie Traveller products, please contact Aussie Traveller Head Office on (07) 3284 3284 or email enquiries@aussietraveller.com.au.