

Connector Pin Assignment

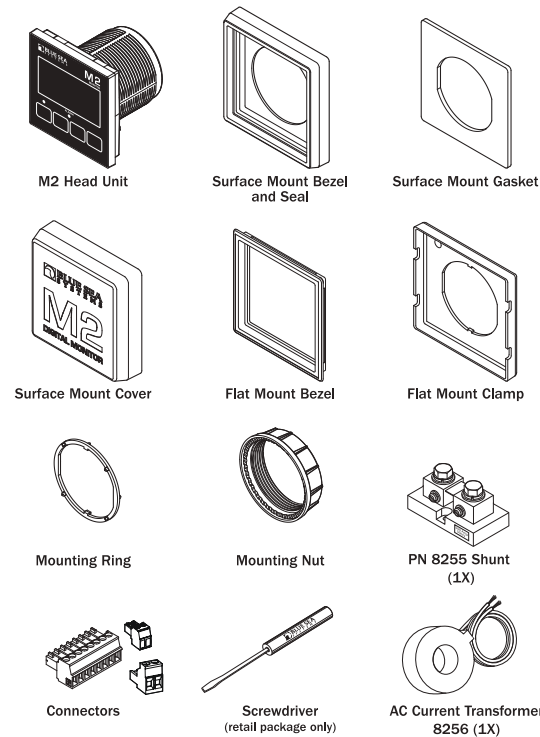
System Overview

M2 OLED Digital Monitor

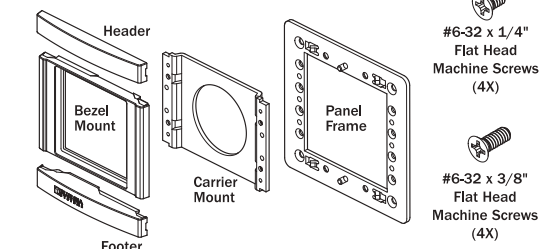
QuickStart Installation Guide

1850 Vessel Systems Monitor

Components Included



360 Panel Mounting Kit 1525 sold separately

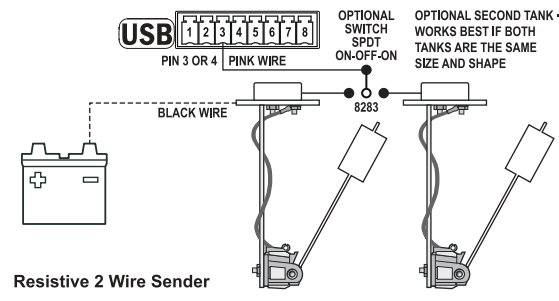


www.blueseasystems.com/products/1850

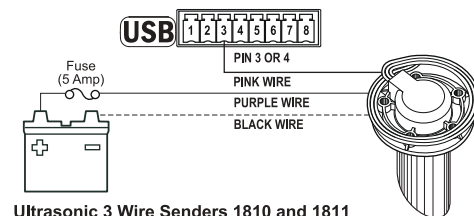
Connector Pin Assignment Table

A. 2 Pin Connector* 3.5mm	Function
1	Battery 1-
2	Battery 1+
B. 2 Pin Connector** 5mm	Function
1	AC Voltage - Neutral
2	AC Voltage - Hot
C. 8 Pin Connector* 3.5mm	Function
1	DC Negative <i>required connection</i>
2	DC Supply/Battery 2+ <i>required connection</i>
3	Tank/Bilge 1
4	Tank/Bilge 2
5	DC Shunt 1-
6	DC Shunt 1+
7	AC Current Transformer - ***
8	AC Current Transformer + ***
USB	Micro-USB
M5	NMEA 2000

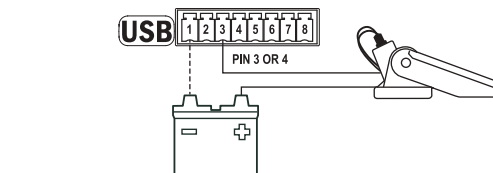
* Supports wire sizes from 16 to 26 AWG
 ** Supports wire sizes from 12 to 24 AWG
 *** Caution - Incorrect connections may damage the monitor



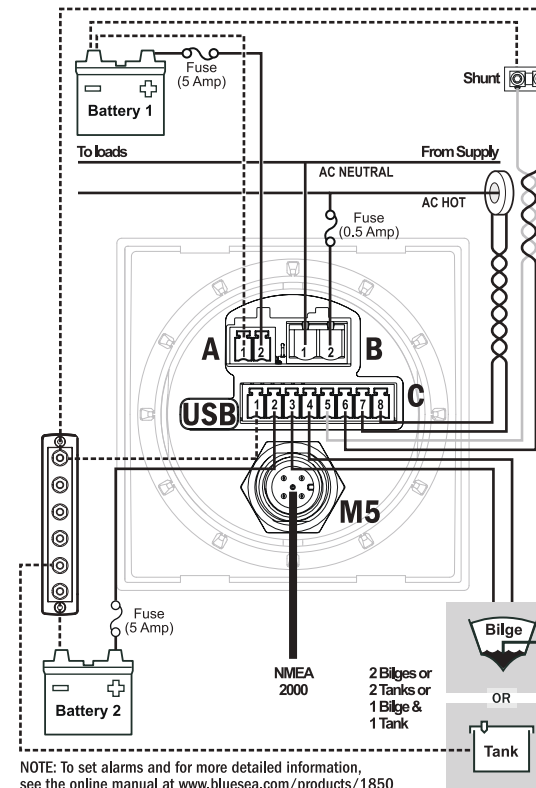
Resistive 2 Wire Sender



Ultrasonic 3 Wire Senders 1810 and 1811



Float Switch Connections



NOTE: To set alarms and for more detailed information, see the online manual at www.blueseasystems.com/products/1850

⚠ WARNING ⚠

- ✓ If you are not knowledgeable about electrical systems, have an electrical professional install this unit. The diagrams in these instructions pertain to the installation of the unit and not to the overall wiring of the vessel.
- ✓ Verify that all AC sources are disconnected before connecting or disconnecting the Current Transformer (CT). Failure to do so will generate lethal voltages on the CT.
- ✓ If an inverter is installed on the vessel, its power leads must be disconnected at the battery before the unit is installed. Many inverters have a "sleep mode" in which their voltage potential may not be detectable with measuring equipment.
- ✓ If an AC generator is installed on the vessel, it must be stopped and rendered inoperable before the unit is installed.
- ✓ Verify that no other DC or AC sources are connected to the vessel's wiring before installing the unit.
- ✓ If the unit must be removed, connect the CT leads together before restoring power to the AC system.

⚠ CAUTION ⚠

- ✓ The back of the unit is not waterproof. Do not install where the back of the monitor is exposed to water.

Network Configuration

With CZone®

Select: Menu->Setup->Network. Two settings must be configured:

- 1. Dip Switch** - Set this value to the same value in the CZone configuration too.
- 2. CZone** - Set to enable. The meter will reboot.

Without CZone®

The M2 VSM Monitor must be configured before it can calculate state-of-charge. The configuration settings menu can be found by pressing:

Menu->Setup->DC1 Setup.

Three settings must be configured:

- 1. Battery Voltage** - This setting indicates the nominal voltage of the battery. The options are 12V, 24V, 36V, and 48V.
- 2. Battery Type** - This setting decides the battery type. The available options are as follows:
 FLStd (Standard Flooded Acid Batteries)
 AGM (Standard AGM Batteries)
 TPPL (Thin Plate Pure Lead AGM Batteries)
 GEL (Gel Batteries)
 FLRsv (Flooded Acid Reserve. Premium Flooded Acid Batteries such as Rolls)
 FLLoM (Flooded Low Maintenance. Sealed Flooded Acid Batteries)

3. Battery Capacity

This setting indicates the capacity of the battery in amp-hours. The available range is 0A to 5000A.



Warranty

The M2 OLED Digital Meters come with a 5 year manufacturer's warranty. This means the meter is warranted to be free from defects in materials or workmanship for 5 years from the date of first purchase. The warranty is limited solely to the cost of repair or replacement of the M2 Meter product. Costs associated with labor or shipping of the defective parts are not covered. Blue Sea Systems cannot accept liability for damage due to the misuse of the M2 Meter.

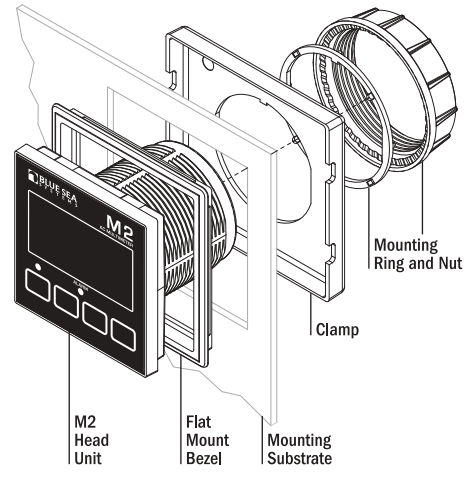


4600 Ryzex Way
 Bellingham, WA 98226 USA
 p 360.738.8230
www.blueseasystems.com

Mounting Options

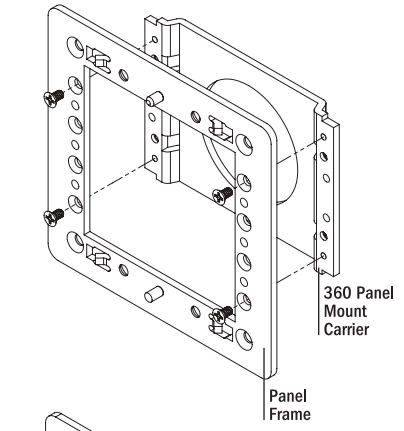
Mounting Templates

Flat Mount

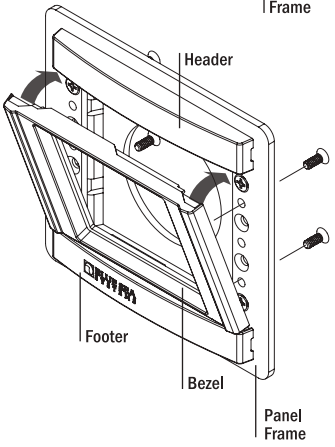


360 Panel Mount PN 1525 sold separately (If retrofit to existing panel)

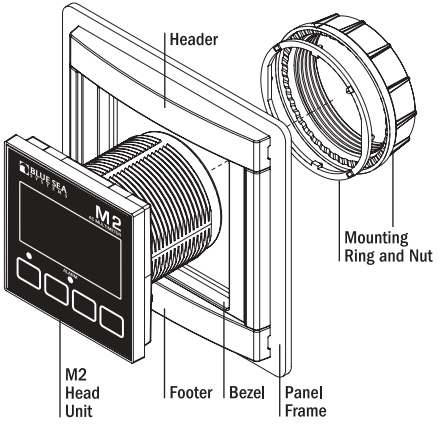
STEP 1
Use 1/4" Mounting Screws



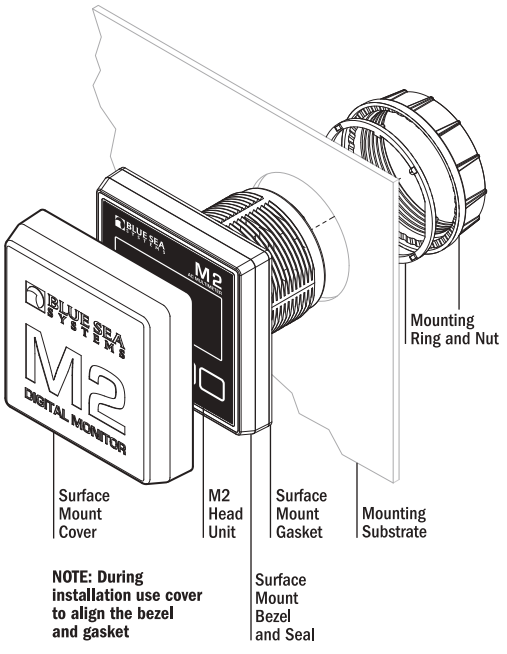
STEP 2
Snap header and footer into mounting clips and post. Snap the mounting bezel into place with the flat edge up.



STEP 3



Surface Mount



NOTE: During installation use cover to align the bezel and gasket

