

CAN COOKER RANGE

ITALIAN STYLE AND DESIGN FOR LOW PROFILE INSTALLATION

CAN is the Italian manufacturer of hobs and sinks whose products can be found off the most exclusive coastlines, and in the heart of the wildest landscapes. For over 30 years European and North American leisure vehicles manufacturers have chosen CAN to help realize their kitchen ideas. Many great brands from both the nautical and recreational vehicle markets have found CAN to be an exceptional partner.

Now this is true in Australia with the partnership between CAN and NCE. Authoritative references demonstrate how CAN has, and continues to be successful in bringing the excellence of Italian design to appliances within recreational vehicle kitchens, helping them to become a sought after brand in the RV industry. In partnership with NCE, CAN products are now available in Australia. The range is ever growing with all relevant and required Australian and New Zealand Gas and Product standards being met, and specific design elements included for the Australian RV market.



Rectangular Hob-unit

FC1336 **RRP \$449.00**

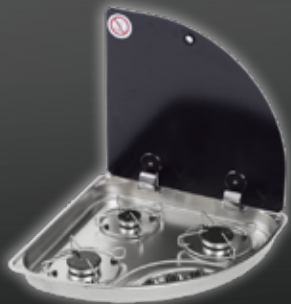
- 2 Burners
- Manual ignition
- Size: 530(W) x 340(D) x 110(H) mm
- Weight: 4.8kg



Rectangular Hob-unit

FC1336PI **RRP \$449.00**

- 2 Burners
- Piezzo ignition
- Size: 530(W) x 340(D) x 110(H) mm
- Weight: 4.8kg



Triangular Hob-unit

FC1343EI **RRP \$549.00**

- 3 Burners
- Electronic ignition
- Size: 490(W) x 490(D) x 90(H) mm
- Weight: 5.5kg



Square Hob-unit

FC1347EI **RRP \$669.00**

- 3 Burners
- Electronic ignition
- Size: 450(W) x 450(D) x 80(H) mm
- Weight: 5.5kg

Features

- Italian designed & manufactured
- Modern stylish finish
- AGA compliant
- Easy to install & connect
- Square, rectangle & triangle designs
- Tempered glass lid
- Manual, piezzo & electric models available
- Patented soft close hinge design
- Rubber stopper & open/close grip
- Specifically designed & developed for RV installations
- Enhance natural lines of the kitchen area
- Compact unit with minimal overall dimensions
- Closing lid allows the stove to be hidden creating an usable table top area
- Certificate of Compliance: AGA 8740G
- Australian Standards:
 - AS/NZS 5263.0:2017-Gas Appliance-General Requirements
 - AS/NZS - 5263.1.1:2016-Gas Appliance-Domestic Cooking Appliances

**2 YEAR
WARRANTY**

NCE standard terms of trade apply. RRP listed include GST. Valid from May 2020. Correct at time of printing. Errors and omissions excepted.

Head Office
34-48 Stanley Drive
Somerton VIC 3062
sales@nce.com.au

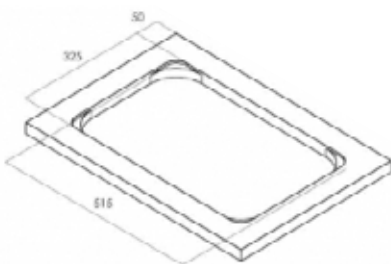
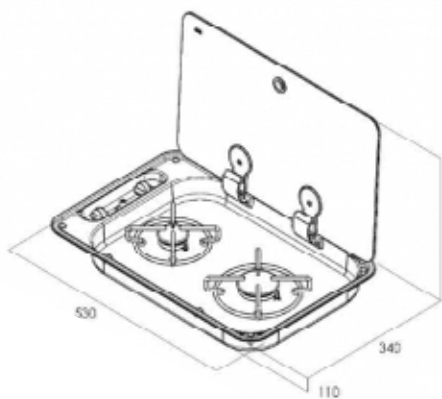
1300 366 024

nce
nce.com.au

Can COOKER RANGE

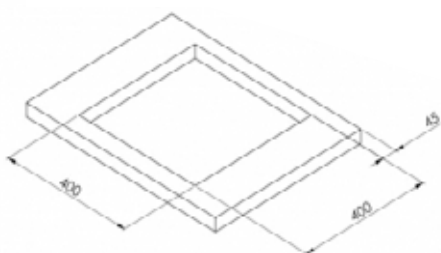
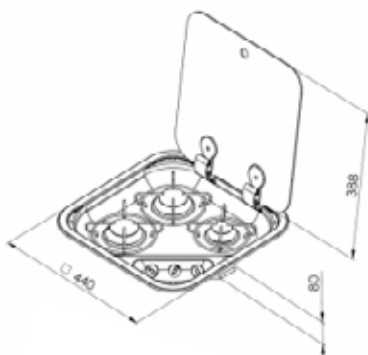
ITALIAN STYLE AND DESIGN FOR LOW PROFILE INSTALLATION

Rectangular Hob-unit



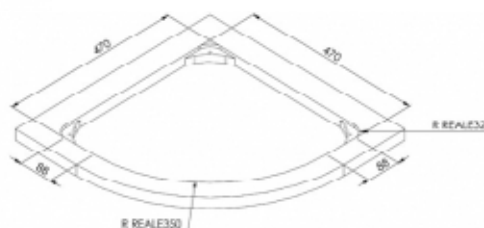
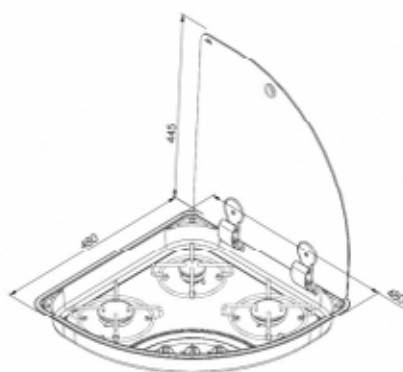
- Number of burners: 2
- Power: A 1 kW / SR 1.9 kW
- Power supply: LPG 28-30 mbar
- Consumption: (A 73g/h) (SR 127g/h)
- Safety device: Thermocouple
- Ignition: Manual/Piezo (PI)
- Material: SS304 L
- Finish: Satin
- Warranty: 2 Years

Square Hob-unit



- Number of burners: 3
- Power: A 1 kW / SR 1.9 kW
- Power supply: LPG 28-30 mbar
- Consumption: (A 73g/h) (SR 127g/h)
- Safety device: Thermocouple
- Ignition: 12V Electric (EI)
- Material: SS304 L
- Finish: Satin
- Warranty: 2 Years

Triangular Hob-unit



- Number of burners: 3
- Power: A 1 kW / SR 1.9 kW
- Power supply: LPG 28-30 mbar
- Consumption: (A 73g/h) (SR 127g/h)
- Safety device: Thermocouple
- Ignition: 12V Electric (EI)
- Material: SS304 L
- Finish: Satin
- Warranty: 2 Years

NCE standard terms of trade apply. RRP listed include GST. Valid from May 2020. Correct at time of printing. Errors and omissions excepted.