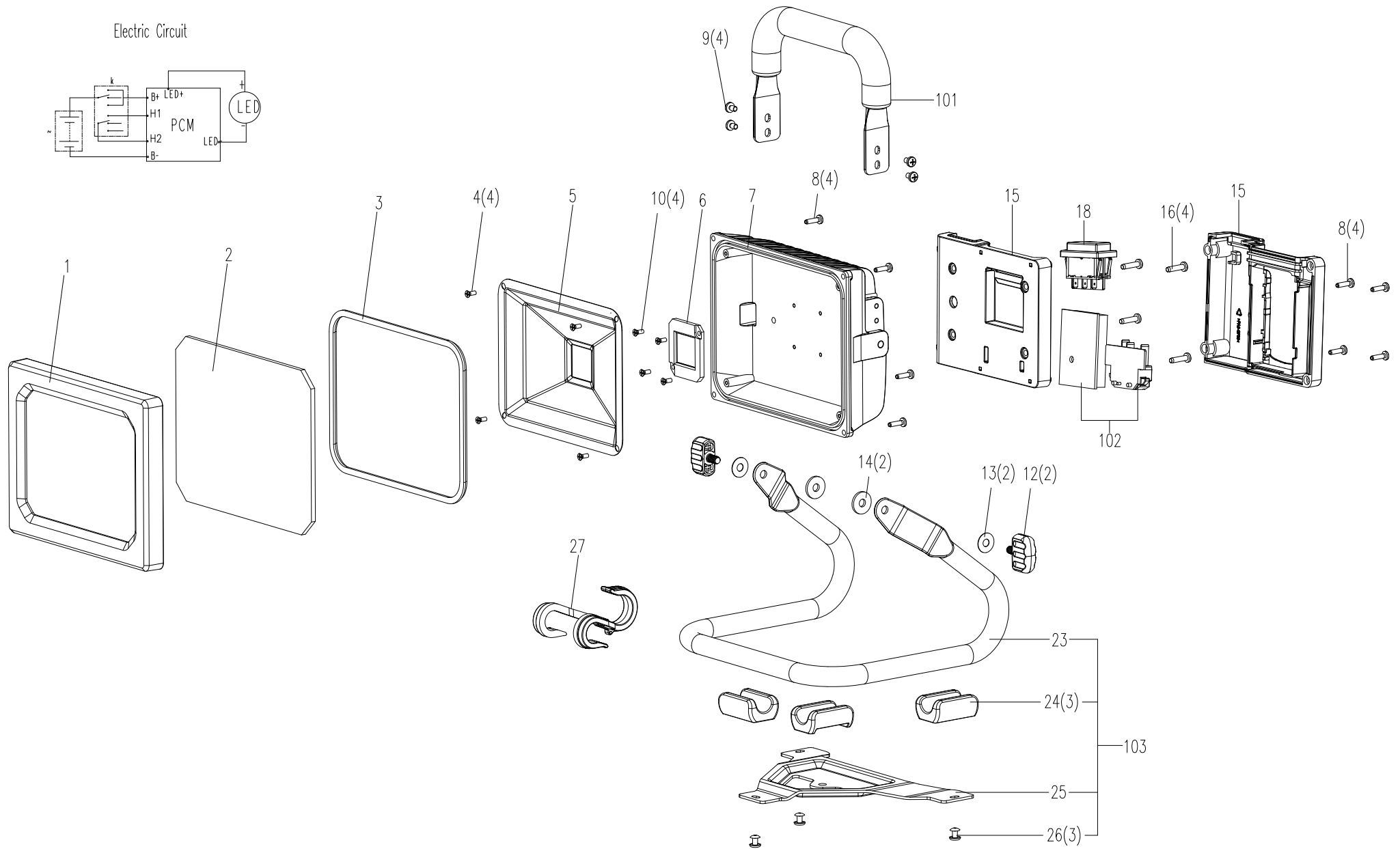
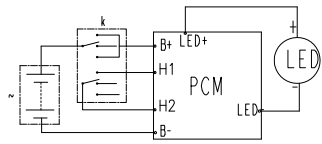


DX62B

Version:00
Date:201103

Electric Circuit



Model	Position	Part No.	Description	Qty.	Remark
DX62B	1	60051264	Light Cover	1	
DX62B	2	60051268	Transparent Board (glass)	1	
DX62B	3	50031674	Airproof Ring	1	
DX62B	4	60044321	Screw washer assembly	4	
DX62B	5	50030104	Reflector	1	
DX62B	6	60051265	Bulb	1	
DX62B	7	50043847	Light box	1	
DX62B	8	50002802	Self tapping screw	8	
DX62B	9	60041307	Screw M4x8	4	
DX62B	10	60051267	Screw4 3X8	4	
DX62B	12	50042290	Locking Screw	2	
DX62B	13	50016096	washer	2	
DX62B	14	50030112	Rubber Washer	2	
DX62B	15	50043846	Support Plate	1	
DX62B	16	60051560	Screw M4X14	4	
DX62B	18	50036600	Switch	1	
DX62B	23	50044088	Bracket	1	
DX62B	24	50030115	Rubber Pad	3	
DX62B	25	50044089	Base Plate	1	
DX62B	26	50043217	Rivet	3	
DX62B	27	50043844	Hook	1	
DX62B	101	50043842	Handle Assmebly	1	
DX62B	102	50043843	PCB Assmebly	1	
DX62B	103	50043845	Bracket Assmebly	1	