

# DEVANTI

## USER MANUAL

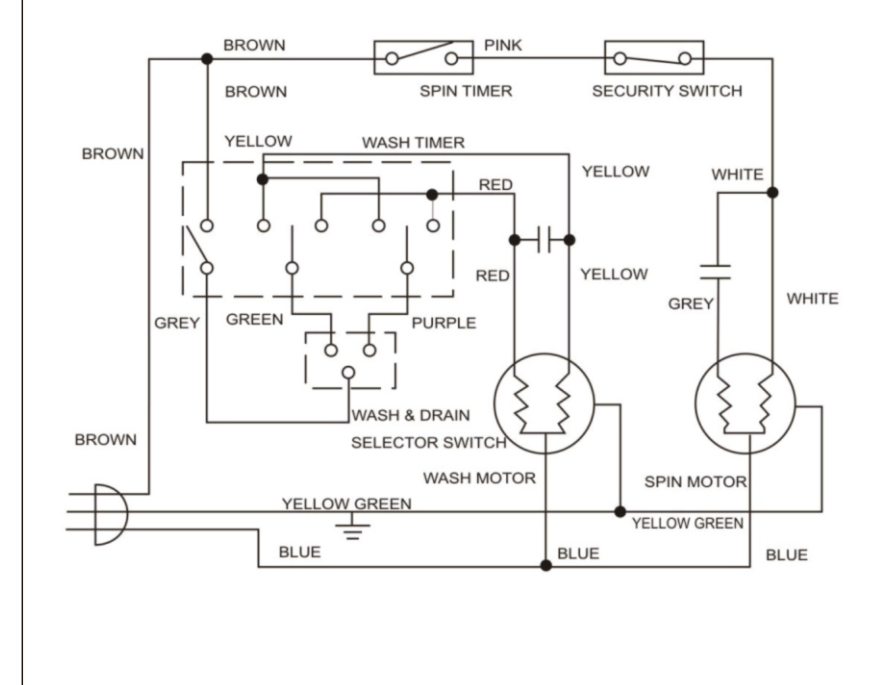
### TWIN TUB WASHING MACHINE

PWM-T-98-WH  
PWM-T-98-BU

Please read carefully this instruction manual to ensure correct use of the machine.

## Electrical Principle

	Washing	Spinning
Rated voltage	220-240V	220-240V
Rated frequency	50/60Hz	50/60Hz
Rated energy consumption power	240W	120W



-8-

## CONTENTS:

- Introduction
- Technology Parameter and Specifications
- Structure and Parts
- Washing Instructions
- Attention Points
- Maintenance
- Troubleshooting
- Electrical Principle

-1-

## Introduction

Thank you for purchasing this DMR Semi Auto Washing Machine. The design of this product has adopted the special patent technology of cabinet integration. The entire body casing is made of plastic and this ensures that your DMR semi auto washing machines will never be rust eaten. The washer is relatively lighter and space saving as compared to other general twin-tub washing machines

Through the integration of new technology, this washer with large wave pulsator and new water flow, will not only produce less twisting of the clothing but also better cleaning and washing effect. The functions of water inlet, sprinkling, spin-dry and water flow are also made available to save time, labor and water usage.

We trust that you will find your purchase of this beautifully designed and dignified-looking semi auto washing machine to your satisfaction.

-2-

## Troubleshooting

Problem	Reason	Solution
The pulsator is too slow	Power cut or switch off	Switch on the power
	Transmission belt left off	Assemble the transmission belt
	Belt pulley has become loose	Tighten the belt
The pulsator does not rotate	Pulsator is blocked	Remove the block
	Belt is loose	Tighten the belt or renew it
Abnormal noise and vibration	The clothes in the spin dry tub loosened	Tighten the belt and the screw
	The clothes in the spin dry tub is unbalanced	Replace the clothes in the tub
Water leaks from the wash tub	There is something jammed between the pulsator and the wash tub	Remove the jammed object(s).
	Wash tub was not connected tightly to the hose	Reconnect and tighten the hose
Spin-dry basket does not rotate	The slight switch is in loose contact	Adjust the contactor of the switch
	The fixed screw of spin dry basket or shaft coupling is loose	Tighten the screw
	The shaft of spin dry basket is twined by the textile	Remove the textile
The spin tub does not drain	Brake dragline is loose	Tighten the dragline
	Something had dropped into the space between spin tub and spin dry basket	Remove the object

Attention: When the problem can not be resolved, please contact the Service Center.

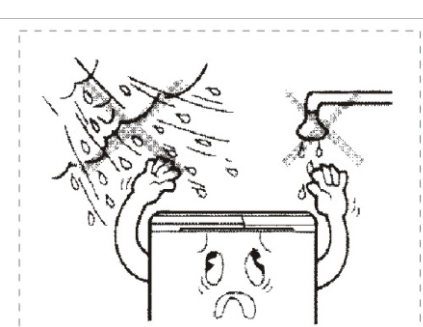
-7-

## Maintenance

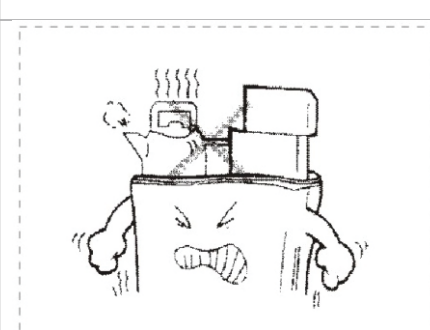
After use, pull out the plug to prevent accidents.



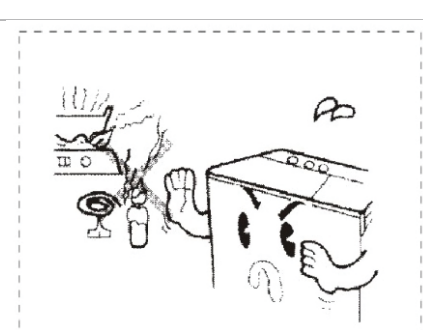
When cleaning the washing machine use a soft cloth, this will prevent scratching of the surface of the cabinet.



Do not put the washing machine outdoors or in damp areas such as the bathroom.



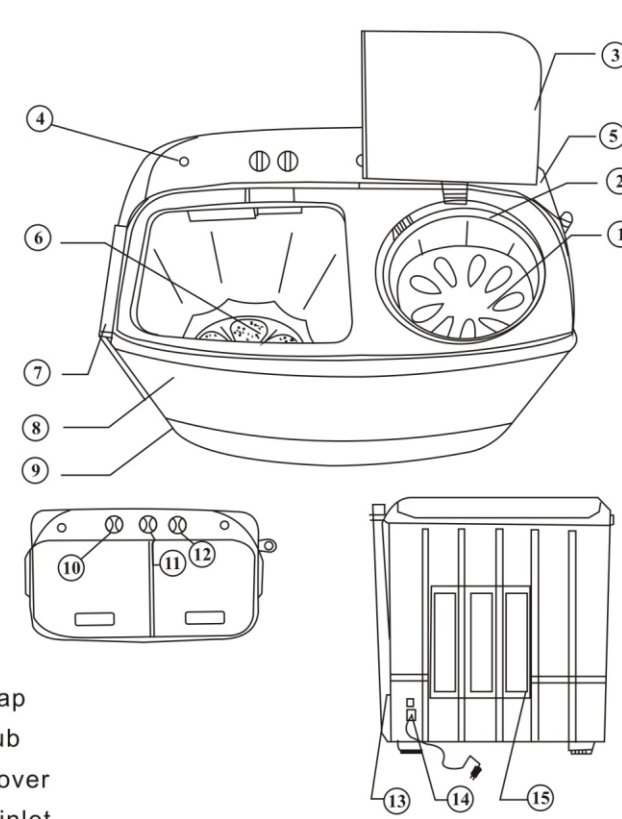
Do not put heavy objects on the top of the washing machine.



Do not place the washing machine near to heat-generating items such as gas cookers.

-6-

## Structure and parts of product



1. spin cap
2. spin tub
3. spin cover
4. water inlet
5. control panel
6. pulsator
7. wash cover
8. cabinet
9. Bottom
10. wash timer switch
11. wash & drain selector switch
12. spin timer switch
13. drain hose
14. power wire
15. back cover

-3-

## Washing Instructions

### Preparation

1. The machine should be placed on the flat ground
2. The plug seat should have safety ground connection.
3. Lay down the overflow hose.
4. Use the water inlet hose to connect the water tap on the water inlet.
5. Adjust the water level based on the type of clothing material and its weight.
6. Turn on the power.

### Washing

1. Set the "wash & drain selector switch" according to the material type and weight of clothes.
2. Set the "wash & drain selector switch" to the wash position.
3. Set the "wash timer" and place the clothes into the tub, adjust the water level to the proper position and put in the proper amount of detergent into the wash tub.
4. Set the "wash timer" and washing machine will start to wash.
5. After wash, set the "wash & drain selector switch" to the drain position to the start draining off water.

### Spinning

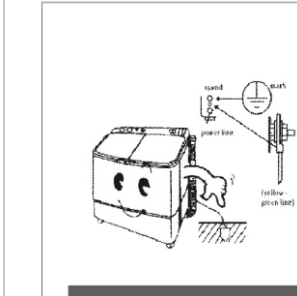
1. After spinning, set the water inlet hose to the water inlet of the spin tub position for 20-30 seconds.
2. According to the "spin timer" process, spinning the clothes for 1min~5min, repeat once or twice.

### Rinsing

1. After spinning, the spin tub will stop. Open the spin cover and from the spin tub transfer the clothes to the wash tub to prepare for rinsing.
2. Repeat the washing process but do not add any detergent.

-4-

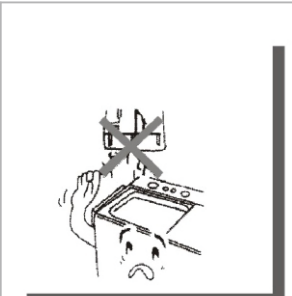
## Attention Points



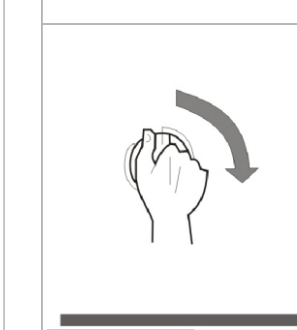
For your own safety, ensure that the ground connection is correct.



Never put your hands into the spin tub whilst it is working.



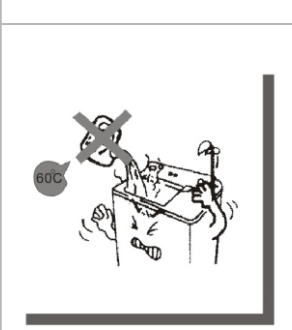
Never wash textiles which contain volatile materials to avoid machine damage or water blockage due to stains.



The timer should always be turned clockwise



When abnormal sounds/movements occur during operation, stop the washing machine as soon as possible and check. (Please refer to troubleshooting, Page7.)



When washing, the water temperature should be below 60°C. Otherwise, the plastic components may be deformed.

-5-