

## PRODUCT INFORMATION

### DishyDock Ports

DishyDock Ports enable a seamless connection from Dishy to DishyDock Power, and onto the DishyDock Router. Designed specifically for the Starlink System, our DishyDocks are RJ45 Cat6 shielded ports.

If you have a waterproof cavity including a TV box, Tunnel Boot or Storage Cavity in your RV, then our Internal DishyDock Port is perfect for the external connection. But for those requiring an external mount, then the IP67 waterproof external DishyDock is the right choice (see below).

The ports provide the perfect solution for the Dishy Cable, removing the need for cables through Windows or doors, and a tidy socket plate for internal aesthetics.

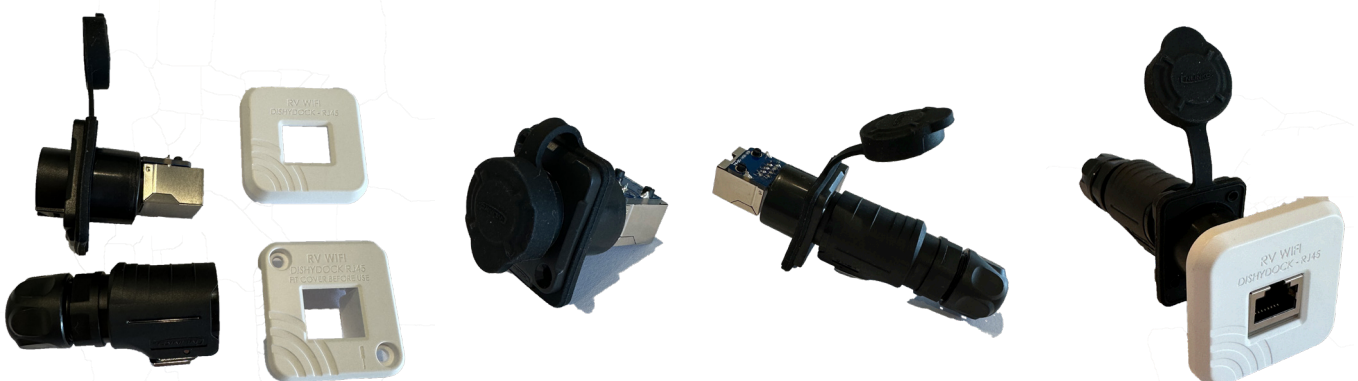


### DishyDock Ports IP65 Weatherproof

Just like the DishyDock Ports, the IP65 Port provides a seamless connection from your external Dishy to the intergration System inside your RV.

This port is rated IP65, so is ideal for installing on the outside of your RV, leaving you with the confidence that is both dust tight and watertight against water spray from all directions.

The Weatherproof Port can be used with or without the in wall Ethernet Cables, and again provides a socket plate for internal aesthetics.



### DishyDock Ethernet connections

Our shielded AWG23, fire resistant ethernet cables provide power directly from DishyDock Power to Dishy. We offer a 3, 5, 10 or 15m cable in our kit for in wall installation, so you can place your Dishy Power and Router anywhere in your RV. Neatly tucked away and quietly delivering excellent connectivity.

The Packs comes with one 0.3m Ethernet Cable to connect from DishyDock inside your RV to DishyDock power. A second 0.3m Ethernet Cable, then connects DishyDock Router.

One system perfectly linked with everything you need.



3, 5, 10 or 15 m option

## DishyDock Power.

The heart of the DishyDock system, DishyDock Power uses 12V power to drive Dishy, delivering efficient connectivity, even in the most remote off grid location. A regular inverter requires a two step conversion from 12V - 240V - 48V, resulting in a greater power loss. With DishyDock Power, no inverter is required, but it directly links to your RV's 12V battery system.

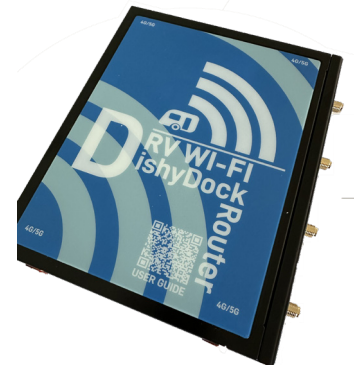
DishyDock Power unlike other power converters, converts the Starlink System in one transfer resulting in less power loss over the single conversion.



## DishyDock Router

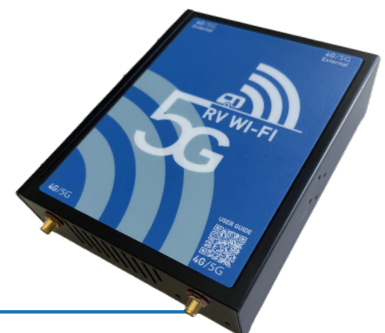
No longer do you need to pack up and store your Starlink Router whilst travelling, the DishyDock Router is mounted securely to your RV in a cupboard or location of your choice. Nice, neat and tidy.

Modelled off our RV WIFI 5G router, the DishyDock Router offers a great solution. Teamed with Starlinks available signal, the superior WIFI range of the DishyDock Router, and the 12 volt DishyDock Power system, this is a great connectivity combination. One system for your smart devices to connect to. No changing passwords, or connections, RV WIFI DishyDock is set ready to go.



## RV WIFI 5G Router - the Best of Both Worlds!

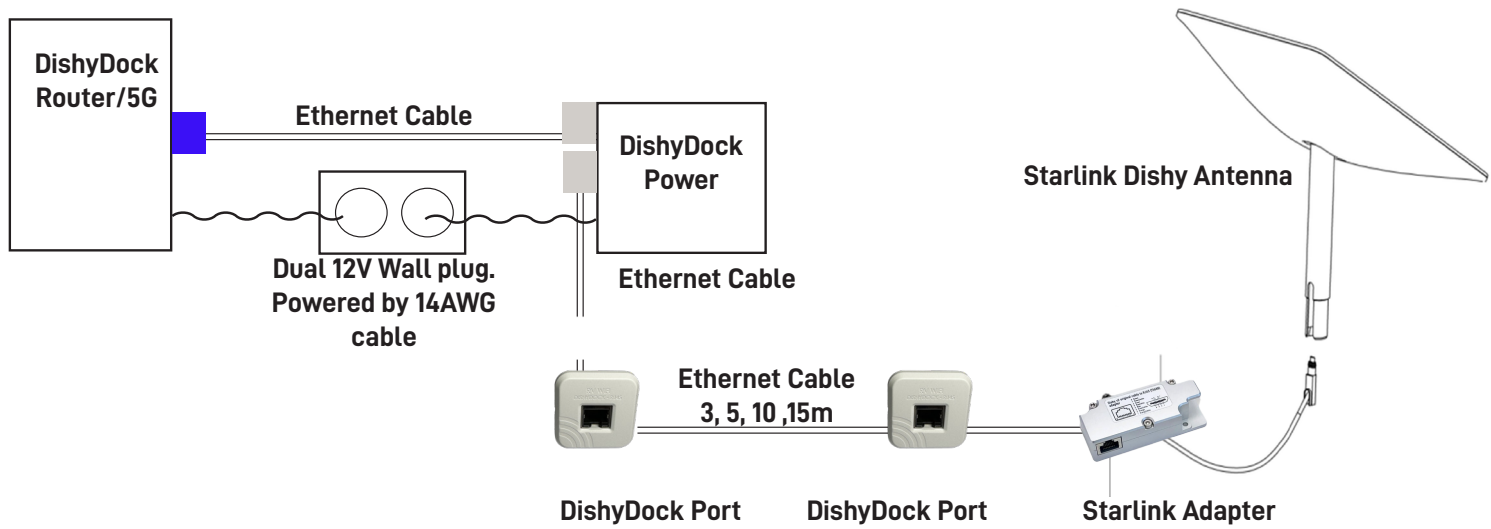
You can choose between the The DishyDock Router and the RV WIFI 5G router. Using the RV WIFI 5G router, you can pause your Starlink service and use the local network when in cell tower reception locations. This saves you money and the 5G router has exceptional speeds using both the 4G and 5G networks. What great options to seamlessly move between the Starlink and the cell tower networks. The RV WIFI5G router integrated with the Starlink Dishy, saves set up time and effort, and provides better speeds in 5G areas.



## Enclosed Set up:

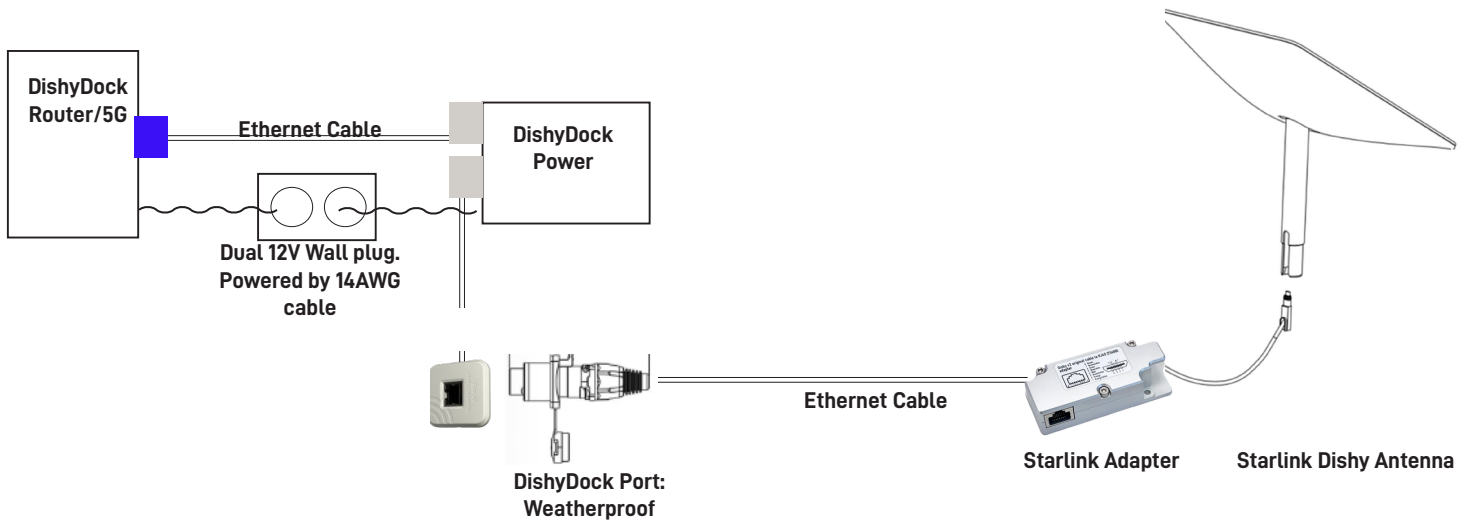
### Enclosed DishyDock Ports and Ethernet Cable.

Choose between 3, 5, 10 or 15m length Ethernet Cable



## Weatherproof Set up (no cable):

### Weatherproof IP67 DishyDock Ports: No wall cable installation



## Weatherproof Set up:

### Weatherproof IP67 DishyDock Ports:

