

READ ME !

Thank you for purchasing a Front Runner Toyota Hilux Slimsport Rack Wind Fairing.
Before you start, take a moment to familiarize yourself with the Fitting Instructions and the components received.
Refer to Page 2 for a list of all the components, quantities and tools required.

IMPORTANT WARNING!

IT IS CRITICAL THAT ALL FRONT RUNNER PRODUCTS BE PROPERLY AND SECURELY ASSEMBLED AND ATTACHED TO YOUR VEHICLE. IMPROPER ATTACHMENT COULD RESULT IN AN AUTOMOBILE ACCIDENT, AND COULD CAUSE SERIOUS BODILY INJURY OR DEATH. YOU ARE RESPONSIBLE FOR ASSEMBLING AND SECURING ALL FRONT RUNNER PRODUCTS TO YOUR VEHICLE, CHECKING THE ATTACHMENTS PRIOR TO USE, AND PERIODICALLY INSPECTING THE PRODUCTS FOR ADJUSTMENT, WEAR AND DAMAGE. THEREFORE, YOU MUST READ AND UNDERSTAND ALL OF THE INSTRUCTIONS AND PRECAUTIONS SUPPLIED WITH YOUR FRONT RUNNER PRODUCT PRIOR TO INSTALLATION OR USE. IF YOU DO NOT UNDERSTAND ALL OF THE INSTRUCTIONS AND CAUTIONS, OR IF YOU HAVE NO MECHANICAL EXPERIENCE AND ARE NOT THOROUGHLY FAMILIAR WITH THE INSTALLATION PROCEDURES, YOU SHOULD HAVE THE PRODUCT INSTALLED BY A PROFESSIONAL INSTALLER OR OTHER QUALIFIED PERSONNEL.

NOTE: Front Runner will not be responsible for any damage caused by the failure to install the product according to these instructions.
Please call us if you have any questions about the installation of this product.

1

GET ORGANIZED

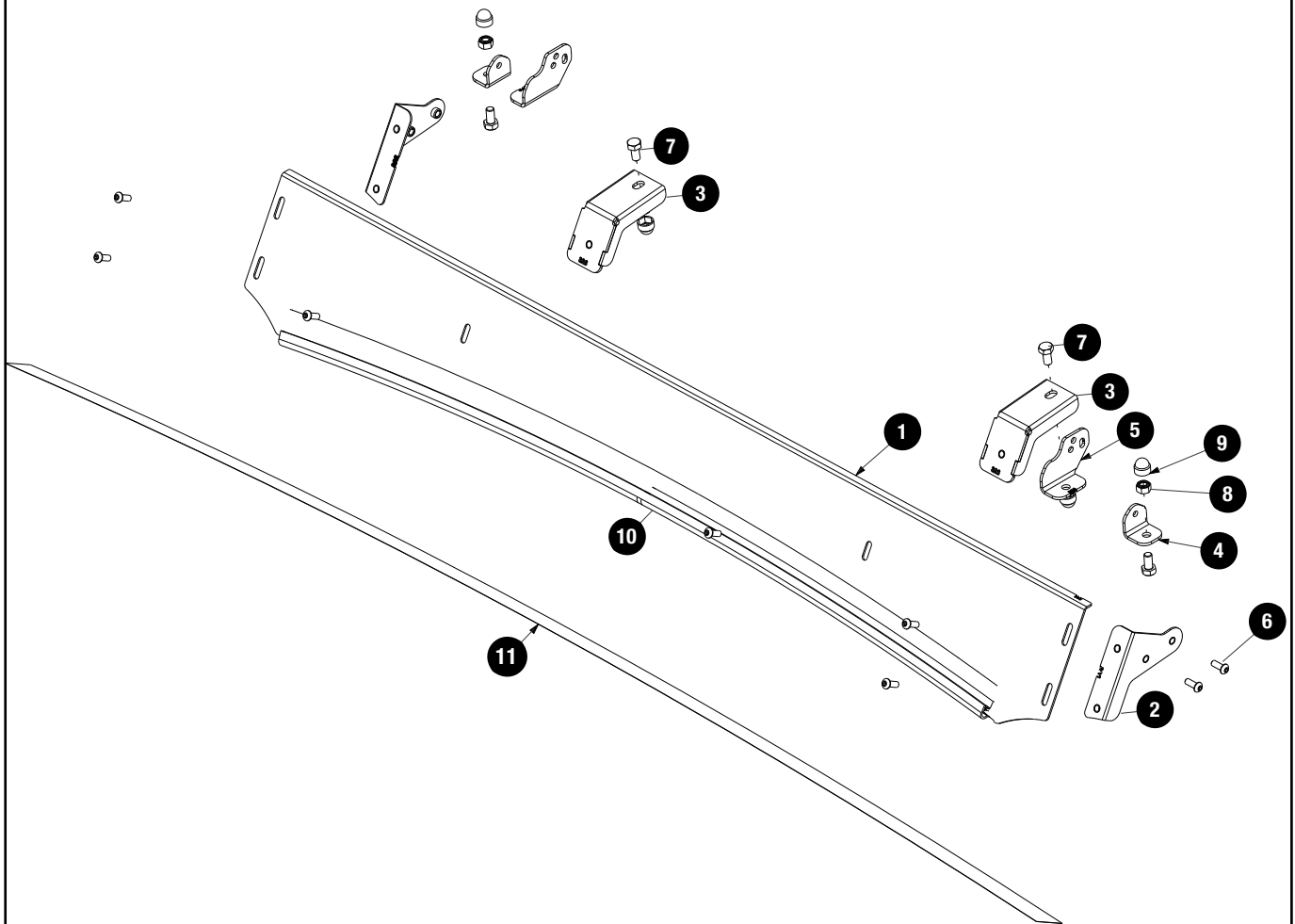
IN THE BOX

1	1 X	Wind Fairing
2	2 X	Wind Fairing Side Support 1LH & 1RH
3	2 X	Wind Fairing Mid Support
4	2 X	Light Bar Bracket 01 1LH & 1RH
5	2 X	Light Bar Bracket 02
6	10 X	M6x16 Button Head Screw
7	3 X	M8 x 16 Hex Head Bolt
8	3 X	M8 Nyloc Nut
9	3 X	M8 Nut Cap
10	1 X	Wind Fairing Rubber (1030mm)
11	1 X	Protective Film strip

TOOLS NEEDED



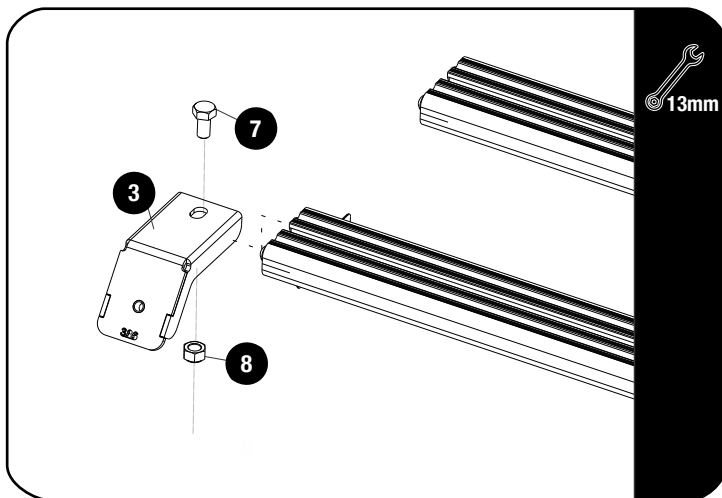
FIGURE 1.1



2

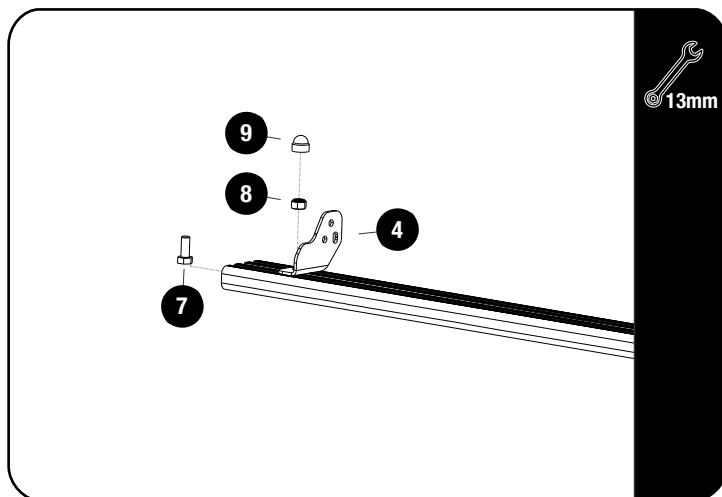
FIT AND SECURE

2.1



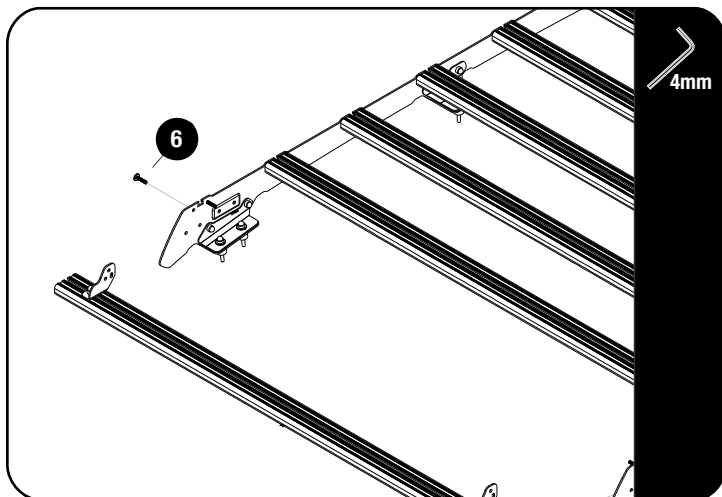
Slide Two M8 x 16 Hex Head Bolt (Item 7) into the T-slot of the front slat. Loosley fit the Mid wind fairing support brackets (Item 3) using M8 Nyloc Nuts (Item 8). DO NOT FULLY TIGHTEN.

2.2



Fit the Light Bar Bracket 01 LH / RH (Item 4) for the 40" Light Bar, using M8x16 Hex Bolt & M8 Nyloc Nut (Items 7 & 8). Fit the light bar and center it on the slat before fully tightening the brackets.
Place M8 Nut Caps (Item 9) over all Hex Bolts.

2.3



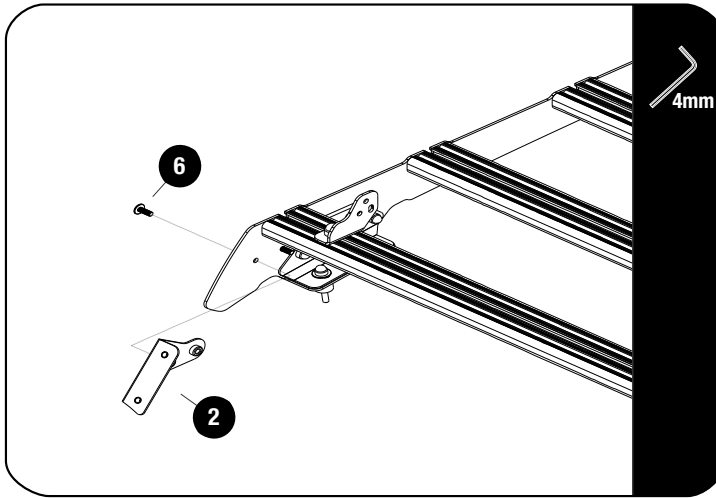
Secure assembly 2.2 to the front two top holes on the foot rails using the fasteners supplied with KSTH002.



Tightening Torque 8-10Nm / 5.9 ft lb - 7.38 ft lb.

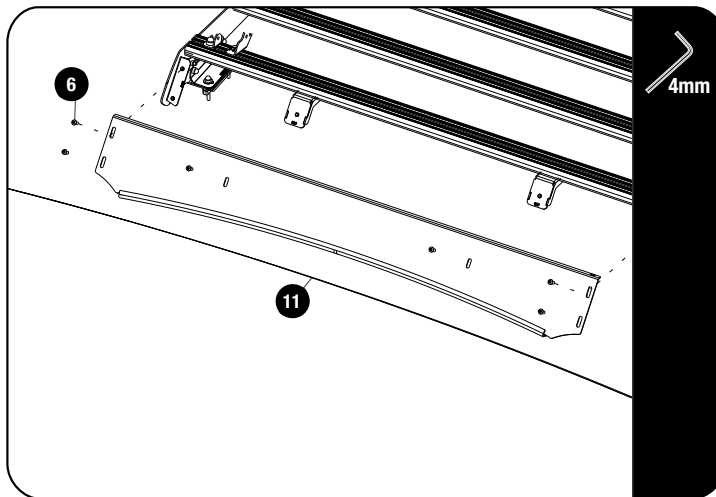
2**FIT AND SECURE**

2.4



Secure the Wind Fairing Side Supports LH / RH (Item 2) to the foot rails top holes as shown using M6x16 Button Head Screws (Item 6).

2.5



Fit the Wind Fairing Rubber (Item 13) to the Wind Fairing (Item 1). Using the notched section as a guide, trim if needed. Clean the roof where the wind fairing will be mounted using denture alcohol. Apply the Protective strip (Item 11) to the roof.

Secure the Wind Fairing assembly to the rack assembly, using M6x16 Button Heads (Item 6) and fully tighten.

Fully tighten the M8 nyloc nuts fitted in 2.1.

Place the M8 Nut caps on the M8 Nyloc Nuts.

3**FINISH**

Congratulations! You did it. Take a step back and admire your work!

4**INSTALL OTHER VEHICLE AND RACK ACCESSORIES**

Now's the time to visit your favorite Front Runner Dealer in person or online.

Be sure to tag us. We love to see our gear in action! #FrontRunnerOutfitters #BornToRoam

Share your adventures on:

