**READ ME !** 

Thank you for purchasing Front Runner Shower Cubicle Curtain / Caddy.

Before you start, take a moment to familiarize yourself with the Fitting Instructions and the components received.

Refer to Page 2 for a list of all the components, quantities and tools required.

IMPORTANT WARNING! 

IT IS CRITICAL THAT ALL FRONT RUNNER PRODUCTS BE PROPERLY AND SECURELY ASSEMBLED AND ATTACHED TO YOUR VEHICLE. IMPROPER ATTACHMENT COULD RESULT IN AN AUTOMOBILE ACCIDENT, AND COULD CAUSE SERIOUS BODILY INJURY OR DEATH. YOU ARE RESPONSIBLE FOR ASSEMBLING AND SECURING ALL FRONT RUNNER PRODUCTS TO YOUR VEHICLE, CHECKING THE ATTACHMENTS PRIOR TO USE, AND PERIODICALLY INSPECTING THE PRODUCTS FOR ADJUSTMENT, WEAR AND DAMAGE. THEREFORE, YOU MUST READ AND UNDERSTAND ALL OF THE INSTRUCTIONS AND PRECAUTIONS SUPPLIED WITH YOUR FRONT RUNNER PRODUCT PRIOR TO INSTALLATION OR USE. IF YOU DO NOT UNDERSTAND ALL OF THE INSTRUCTIONS AND CAUTIONS, OR IF YOU HAVE NO MECHANICAL EXPERIENCE AND ARE NOT THOROUGHLY FAMILIAR WITH THE INSTALLATION PROCEDURES, YOU SHOULD HAVE THE PRODUCT INSTALLED BY A PROFESSIONAL INSTALLER OR OTHER QUALIFIED PERSONNEL.

NOTE: Front Runner will not be responsible for any damage caused by the failure to install the product according to these instructions.

Please call us if you have any questions about the installation of this product.

1

GET ORGANIZED

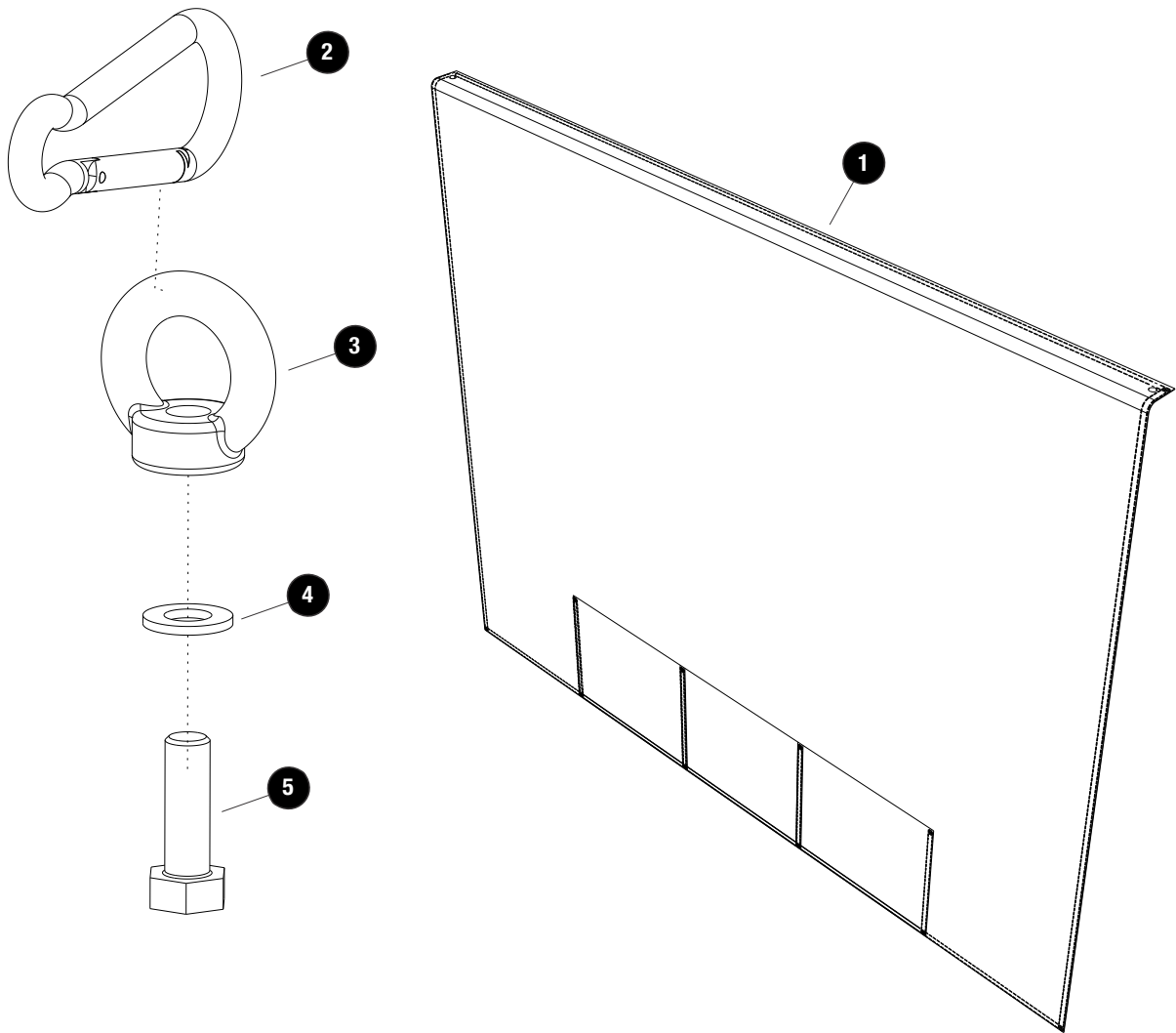
IN THE BOX

1	1 X	Shower Caddy
2	2 X	Carabiner
3	2 X	M8 Eye Nut
4	2 X	M8 Nylon Flat Washer
5	2 X	M8 x 25 Hex Bolt

TOOLS NEEDED



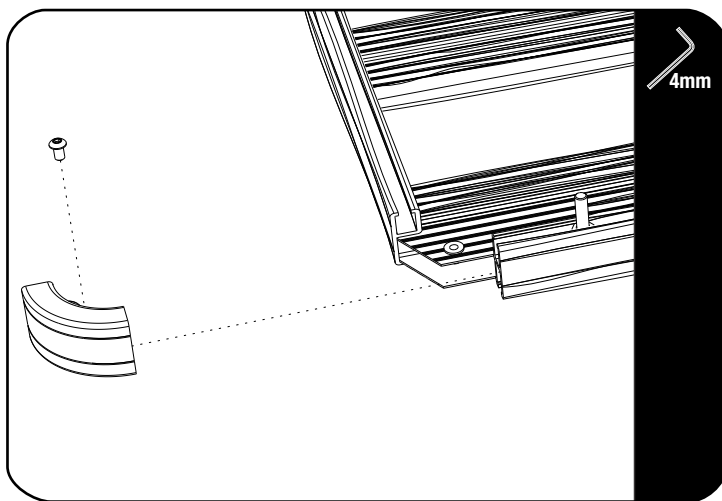
FIGURE 1.1



2

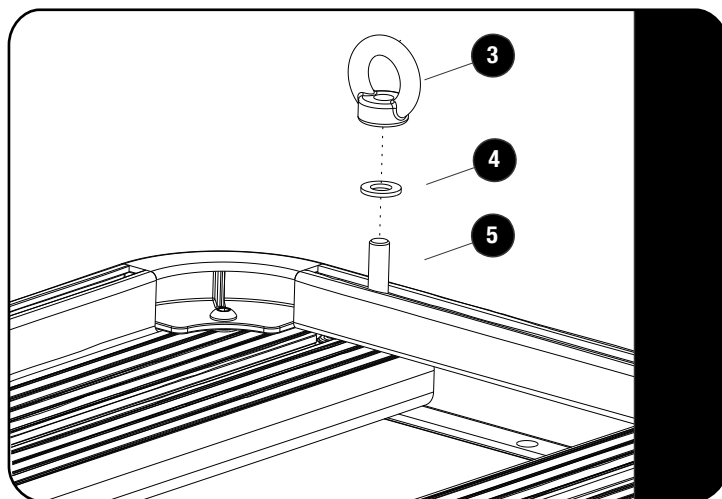
FIT AND SECURE

2.1



Loosen and remove the corner of the Rack as shown

2.2

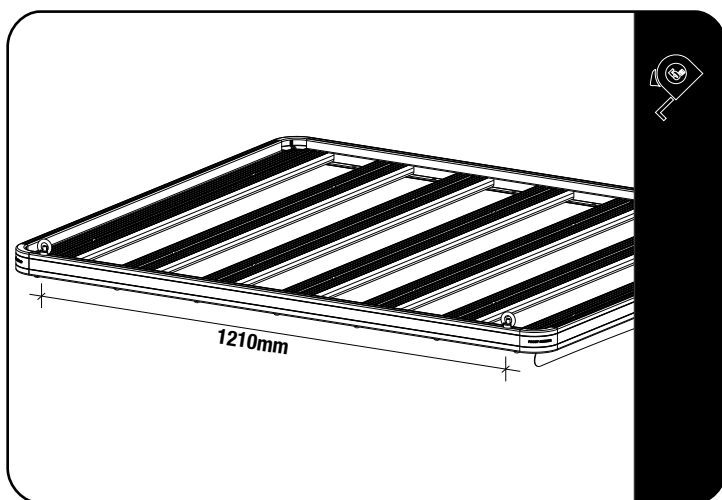


Slide two M8 x 25 Hex Bolts (Item 5) into the channel of the side profile as shown. Assemble the M8 x 25 Hex Bolts (Item 5) to the Side Profile using M8 Eyenuts (Item 3) & M8 Nylon Flat Washers (Item 4)



DO NOT TIGHTEN, as the M8 Eyenuts will still need to be adjusted.

2.3

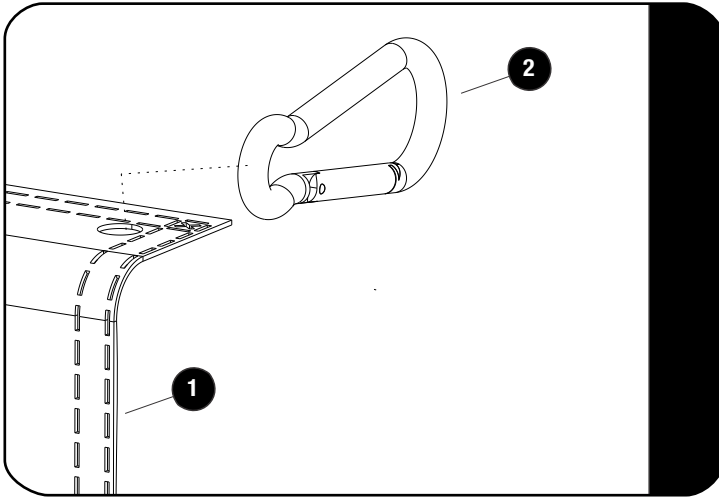


Adjust the M8 Eyenuts (Item 3) to measure 1210mm centre to centre as shown. Fully tighten.

2

FIT AND SECURE

2.4



🔄 Assemble the Carabiners (Item 2) to the Shower Caddy (Item 1) as shown.

2.5



🔄 Assemble the Shower Caddy & Carabiners (Step 2.4) to the M8 Eye nuts (Step 2.3) as shown.

3

FINISHED

Congratulations! You did it. Take a step back and admire your work!

3.1



4

INSTALL OTHER VEHICLE AND RACK ACCESSORIES

Now's the time to visit your favorite Front Runner Dealer in person or online.

Be sure to tag us. We love to see our gear in action! #FrontRunnerOutfitters #BornToRoam

Share your adventures on: 