

# START HERE!

## READ ME FIRST

Don't be a hero and muscle through this installation without reading these fitting instructions first! Improper installation of this gear may void certain aspects of your warranty.

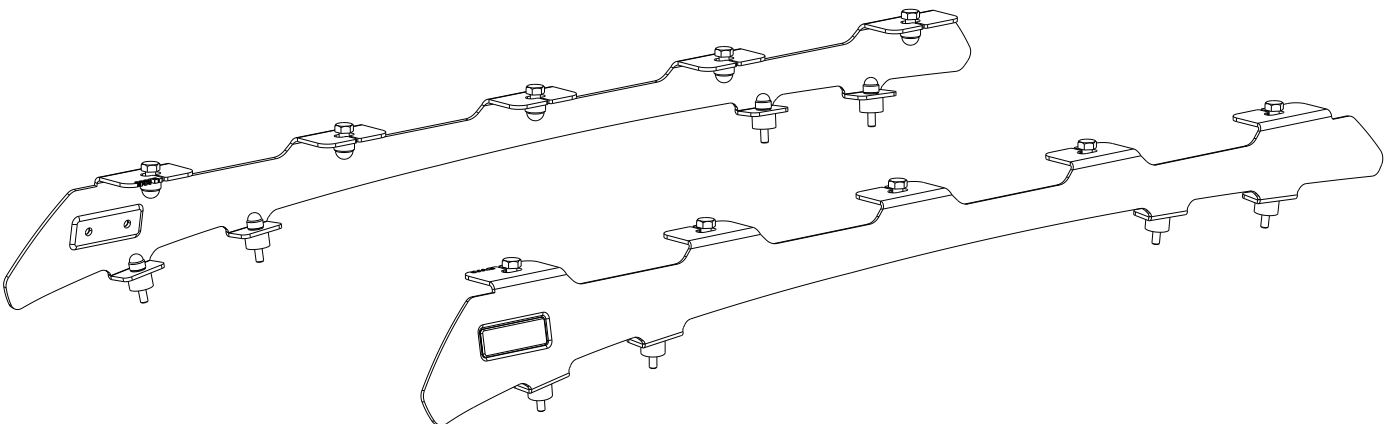
Before you begin, take a moment and open all your Front Runner rack kit boxes and gather the assembly instructions for the various components.

A complete kit will contain:

1. A Front Runner Mounting System specific to your vehicle
2. A Front Runner Rack Tray or Load Bar Slats

This document will guide you through the assembly of the mounting system and assist you in fitting the roof rack tray or load bars to your specific vehicle.

Please refer to the next page for a list of all the components, quantities and tools required.



### IMPORTANT WARNING!

IT IS CRITICAL THAT ALL FRONT RUNNER PRODUCTS BE PROPERLY AND SECURELY ASSEMBLED AND ATTACHED TO YOUR VEHICLE. IMPROPER ATTACHMENT COULD RESULT IN AN AUTOMOBILE ACCIDENT, AND COULD CAUSE SERIOUS BODILY INJURY OR DEATH. YOU ARE RESPONSIBLE FOR ASSEMBLING AND SECURING ALL FRONT RUNNER PRODUCTS TO YOUR VEHICLE, CHECKING THE ATTACHMENTS PRIOR TO USE, AND PERIODICALLY INSPECTING THE PRODUCTS FOR ADJUSTMENT, WEAR AND DAMAGE. THEREFORE, YOU MUST READ AND UNDERSTAND ALL OF THE INSTRUCTIONS AND PRECAUTIONS SUPPLIED WITH YOUR FRONT RUNNER PRODUCT PRIOR TO INSTALLATION OR USE. IF YOU DO NOT UNDERSTAND ALL OF THE INSTRUCTIONS AND CAUTIONS, OR IF YOU HAVE NO MECHANICAL EXPERIENCE AND ARE NOT THOROUGHLY FAMILIAR WITH THE INSTALLATION PROCEDURES, YOU SHOULD HAVE THE PRODUCT INSTALLED BY A PROFESSIONAL INSTALLER OR OTHER QUALIFIED PERSONNEL.

**NOTE:** Front Runner will not be responsible for any damage caused by the failure to install the product according to these instructions.

Please call us if you have any questions about the installation of this product.



# 1 GET ORGANIZED

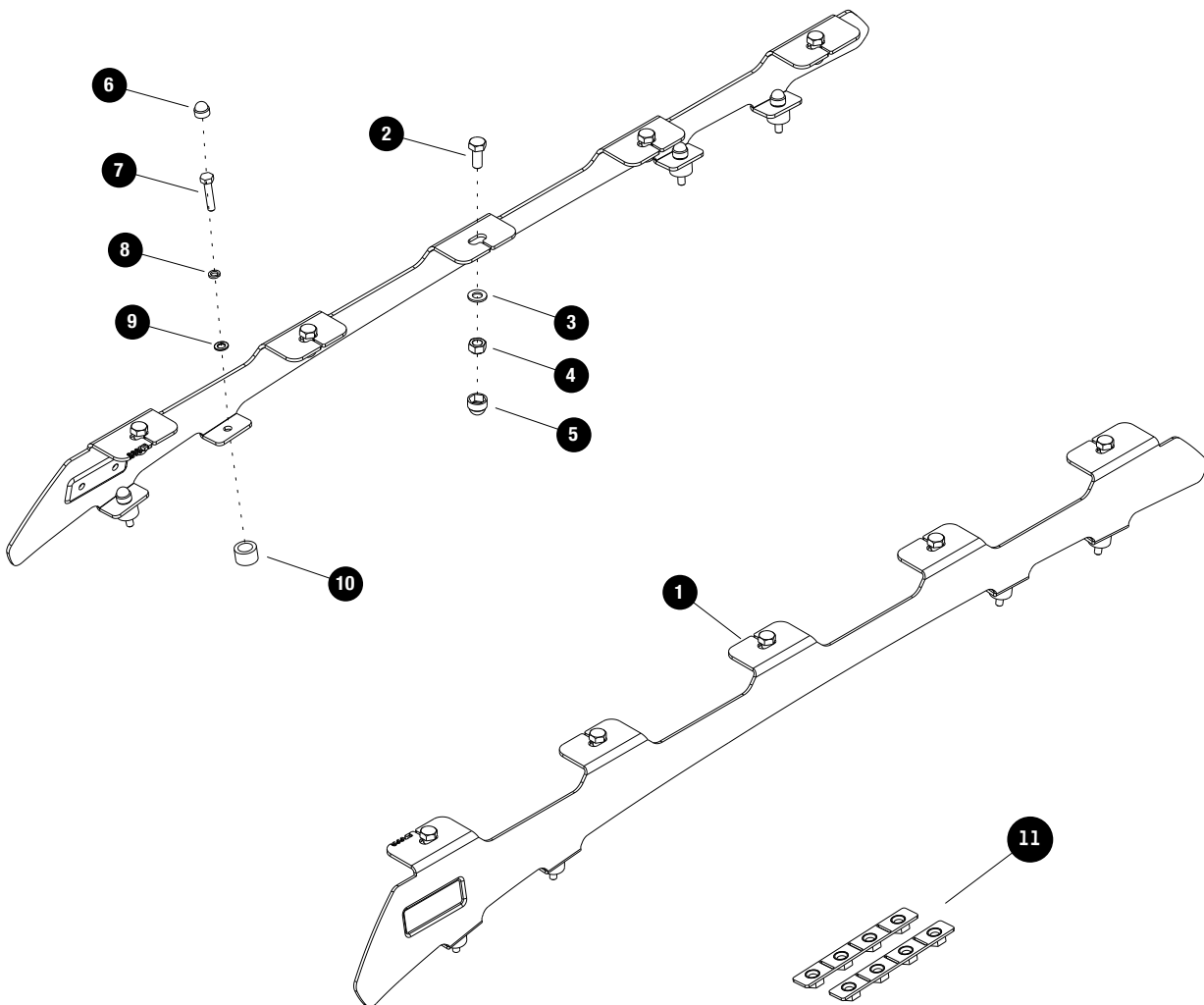
## IN THE BOX

1	2 X	Foot Rail - 1LH & 1RH
2	10 X	Hex Bolt M8 x 20
3	10 X	Flat Washer M8 x 16 x 1.6
4	10 X	Nyloc Nut M8
5	10 X	Nut Cap M8
6	8 X	Nut Cap M6
7	8 X	Hex Bolt M6 x 30
8	8 X	Spring Washer M6
9	8 X	Flat Washer M6 x 12 x 1
10	8 X	Aluminium Spacer 19x12.58x12
11	2 X	Nut Plate (2 sets of 4)

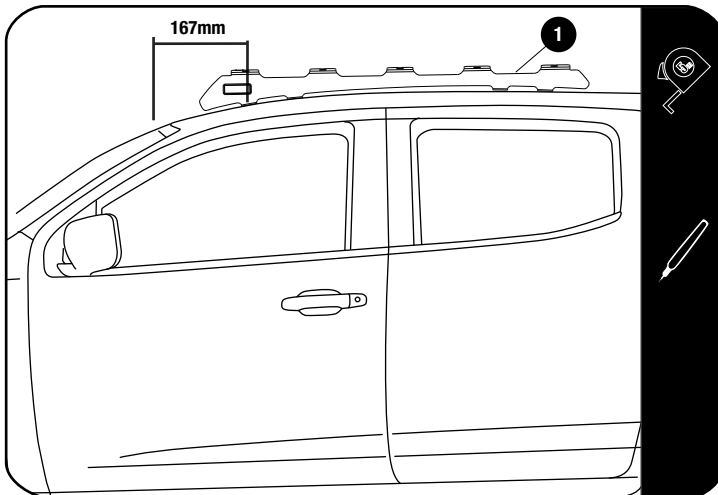
## TOOLS NEEDED



FIGURE 1.1



2.1

**Tightening Torque:**

M6 : 8-10Nm / 5.9 ft lb - 7.38 ft lb

M8 : 15-20Nm / 11.06 ft lb - 14.75 ft lb



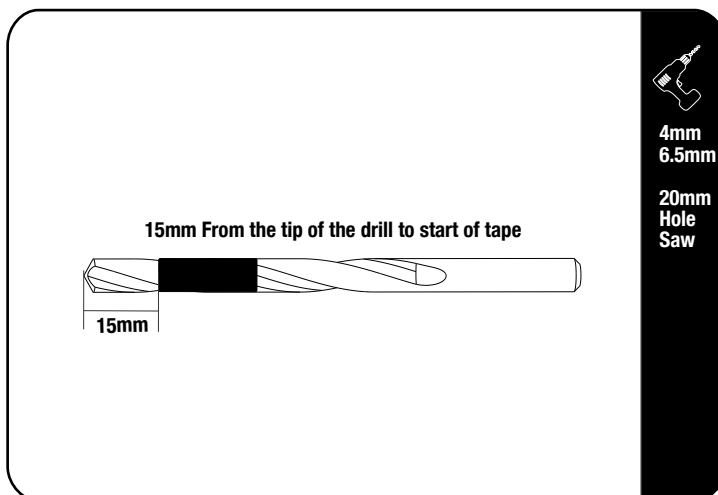
To do this fitment you first need to lower the interior roof lining before moving to the next step. Check how to online.



Starting at the top edge of the vehicle's windscreen, measure and mark the dimension as shown onto both LH / RH ditch centre's.

Place the Foot Rail (Item 1) on the vehicles roof, lining up the front slot centre with the marking you made and mark the centre of the remaining 3 slots on the Foot Rail. Do this on both the LH & RH side.

2.2

**TIP:**

Place tape around the drill to mark a depth of 15mm. Some models may have an airbag curtain below.



Remove the Foot Rail and drill 4mm Pilot holes on the markings made earlier. Open all the holes to 6.5mm

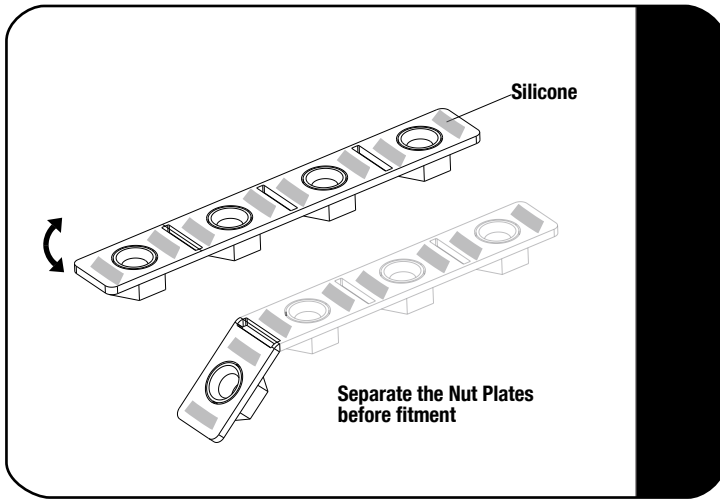
Using a 20mm Hole Saw, drill just through the ditch molding. Take care to go through just the ditch mold.

Remove the rubber part that has been drilled loose.

2.3

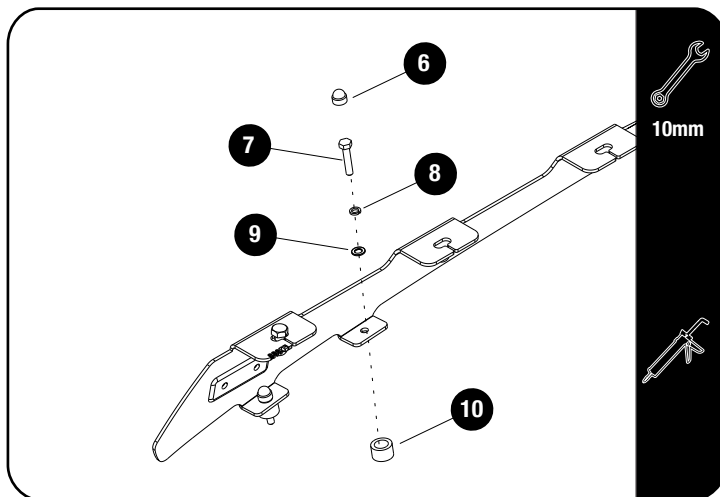


Place Aluminium Spacers (Item 10) into each hole where you have removed the drilled out part on the ditch molding.

**2****FIT AND SECURE****2.4**

Apply a bead of silicone on the four Nut Plates (Item 11). This will bond the Nut Plates in place, so that the headliner does not need to be removed in future, should you want to remove the rack.

See 2.5 for Foot Rail fitment.

**2.5****Tightening Torque:**

**M6 : 8-10Nm / 5.9 ft lb - 7.38 ft lb**



Place silicone into each the the spacers fitted in 2.3 and secure the rack using the M6 x 30 Hex Bolts, M6 Spring Washers, M6 x 12 x 1 Flat Washers and Nut Plates (Items 7, 8, 9 & 11).

Place M6 Nut Caps (Item 6) over all hex bolts.

### 3

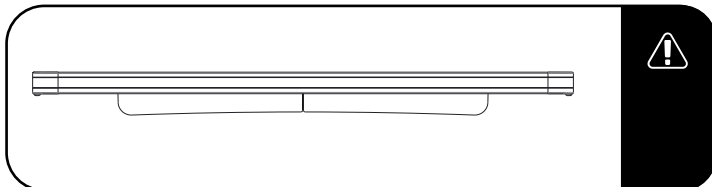
## FIT AND SECURE

3.1

Refer to RRSUNI when assembling your Slimline II Tray.

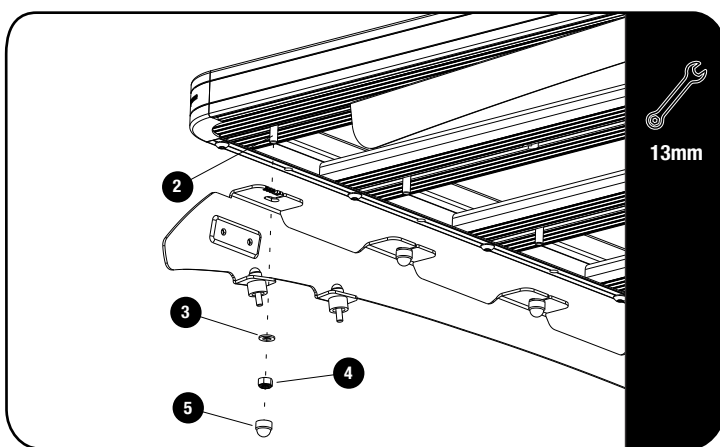


3.2



Make sure that the wind deflector is installed before you proceed to the next step.

3.3



#### Tightening Torque:

M8 : 15-20Nm / 11.06 ft lb - 14.75 ft lb



Fit your roof rack to the Foot Rails using M8 x 20 Hex Bolts, M8 x 16 x 1.6SS Flat Washers and M8 Nyloc Nuts (Items 2, 3 & 4) as shown.

Center the Rack and fully tighten. Place M8 Nut Caps (Item 5) over all M8 Nyloc Nuts.

### 4

## INSTALL OTHER VEHICLE AND RACK ACCESSORIES

Now's the time to visit your favorite Front Runner dealer in person or online.

### IMPORTANT!

FRONT RUNNER RACK KITS OFTEN HAVE A HIGHER LOAD RATING THAN THE VEHICLES THEY ARE MOUNTED TO. PLEASE REFER TO YOUR SPECIFIC VEHICLE MANUFACTURER FOR A RECOMMENDED ROOF RATING. FRONT RUNNER CANNOT BE RESPONSIBLE FOR IMPROPER LOADING BEYOND THE VEHICLE MANUFACTURER'S STATED LOAD CAPACITY.

Be sure to tag us. We love to see our gear in action! #FrontRunnerOutfitters #BornToRoam

Share your adventures on: