

READ ME ! ⚠

Thank you for purchasing a Front Runner Pickup Load Bed 5.5' Canopy Cap Trailer Slimsport Rack Kit.
Before you start, take a moment to familiarize yourself with the Fitting Instructions and the included components.
Refer to Page 2 for a list of all the components, quantities and tools required.

IMPORTANT WARNING! ⚠

IT IS CRITICAL THAT ALL FRONT RUNNER PRODUCTS BE PROPERLY AND SECURELY ASSEMBLED AND ATTACHED TO YOUR VEHICLE. IMPROPER ATTACHMENT COULD RESULT IN AN AUTOMOBILE ACCIDENT, AND COULD CAUSE SERIOUS BODILY INJURY OR DEATH. YOU ARE RESPONSIBLE FOR ASSEMBLING AND SECURING ALL FRONT RUNNER PRODUCTS TO YOUR VEHICLE, CHECKING THE ATTACHMENTS PRIOR TO USE, AND PERIODICALLY INSPECTING THE PRODUCTS FOR ADJUSTMENT, WEAR AND DAMAGE. THEREFORE, YOU MUST READ AND UNDERSTAND ALL OF THE INSTRUCTIONS AND PRECAUTIONS SUPPLIED WITH YOUR FRONT RUNNER PRODUCT PRIOR TO INSTALLATION OR USE. IF YOU DO NOT UNDERSTAND ALL OF THE INSTRUCTIONS AND CAUTIONS, OR IF YOU HAVE NO MECHANICAL EXPERIENCE AND ARE NOT THOROUGHLY FAMILIAR WITH THE INSTALLATION PROCEDURES, YOU SHOULD HAVE THE PRODUCT INSTALLED BY A PROFESSIONAL INSTALLER OR OTHER QUALIFIED PERSONNEL.

NOTE: Front Runner will not be responsible for any damage caused by the failure to install the product according to these instructions.
Please call us if you have any questions about the installation of this product.



1 GET ORGANIZED

IN THE BOX

1	2 X	Footrail
2	7 X	Slim Sport Slats
3	6 X	Canopy Mounting Feet
4	28 X	M6x25 Thread Forming Screws
5	12 X	M8x16 Hex Head Screw
6	24 X	M8 Nyloc Nut
7	24 X	M8 Plastic Nut Cap
8	12 X	T-Bolt M8x20 / 18mm Wide

TOOLS NEEDED

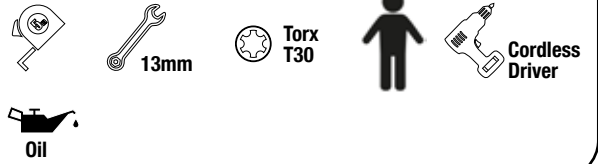
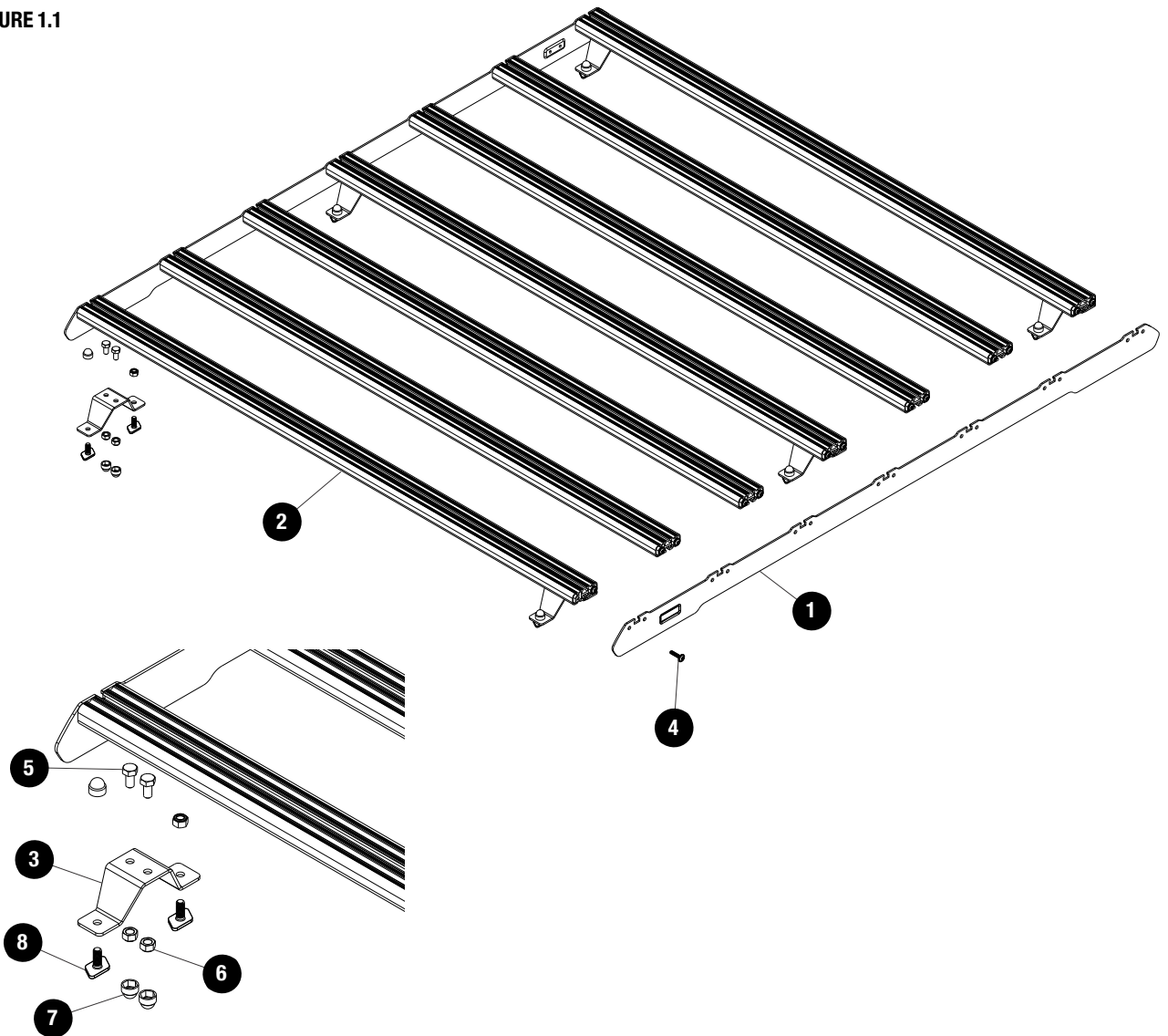


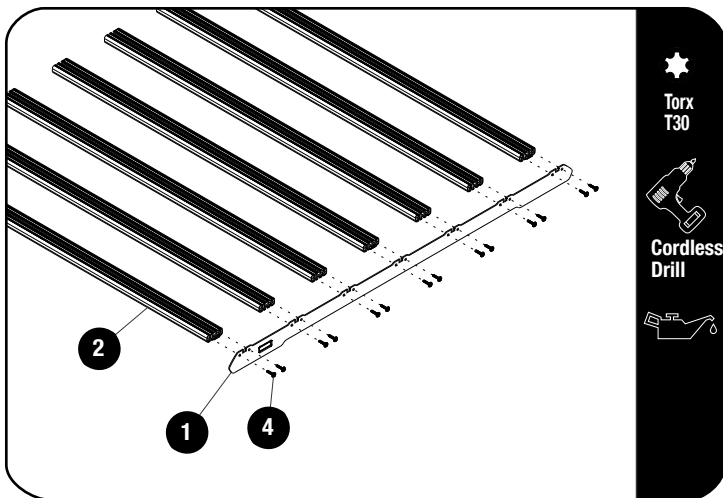
FIGURE 1.1



2

FIT AND SECURE

2.1



Use a little oil on screw threads before inserting. Note these are Thread Forming Screws.



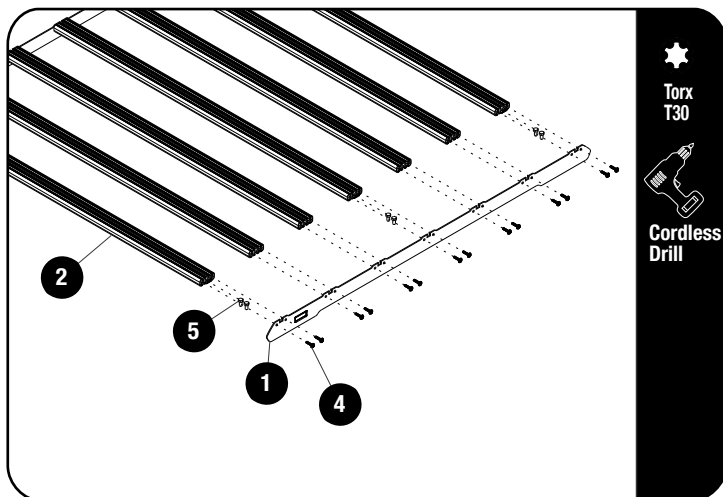
Assemble the Slim Sport Slat (Item 2) to the Footrail (Item 1) with the Thread Forming Screws (Items 4) using a T30 Torx bit.



Tightening Torque:

M6 : 8-10Nm / 5.9 ft lb - 7.38 ft lb

2.2



Slide the 4 M8 x 16 Hex Head Screws (Item 5) into the front, middle and rear Slim Sport Slat (Item 2). Attach the Footrail (Item 1) using the M6 x 25 Thread Forming Screws (Item 4).



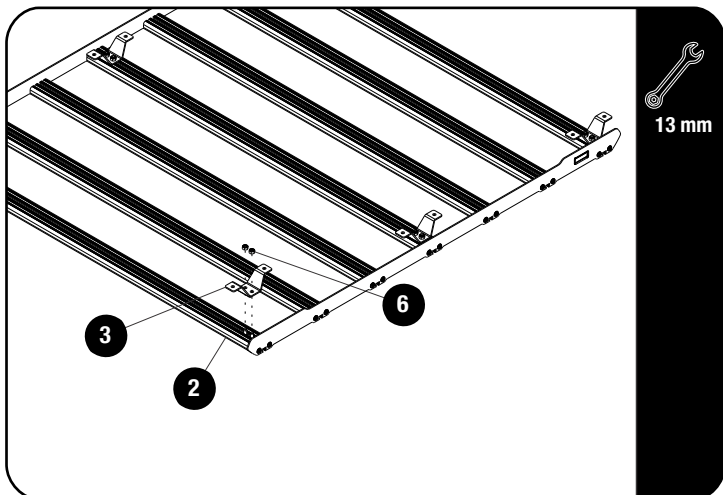
Tightening Torque:

M6 : 8-10Nm / 5.9 ft lb - 7.38 ft lb

Note:

Measure your track first to determine if the recommended foot placement will be suitable. If your track is shorter than 1360mm then move the mounting feet to the next suitable position.

2.3

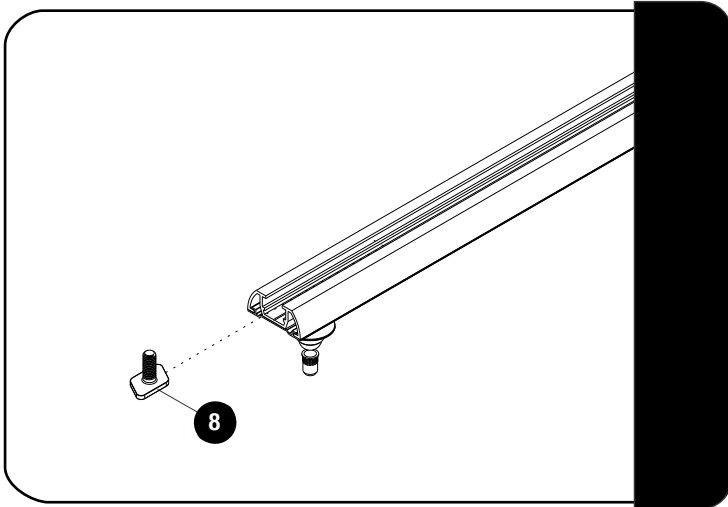


Flip the rack over and loosely assemble the Canopy Feet (Item 3) to the Slim Sport Slats (Item 2) using the M8 Nuloc Nuts (Item 6)

2

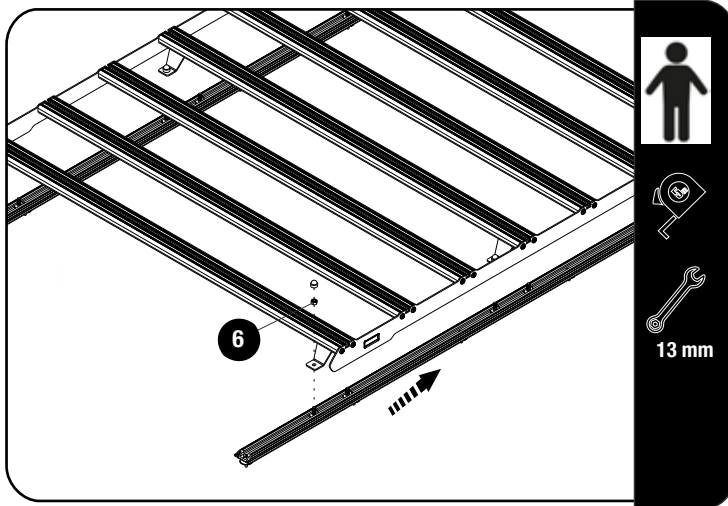
FIT AND SECURE


2.1



 Slide 6 of the T-Bolt M8 x 20 / 18mm Wide (Item 8) into each side of the tracks on your canopy or trailer.

2.2



 Ask a friend to help you place the rack onto the tracks of your canopy or trailer. Place the rack in a suitable position and center it front to back and left to right before fully tightening all the M8 Nylock Nuts (Item 6).



Tightening Torque:

M8 : 15-20Nm / 11.06 ft lb - 14.75 ft lb

3

FINISH

Congratulations! You did it. Take a step back and admire your work!

4

INSTALL OTHER VEHICLE AND RACK ACCESSORIES

Now's the time to visit your favorite Front Runner Dealer in person or online.

Be sure to tag us. We love to see our gear in action! #FrontRunnerOutfitters #BornToRoam

Share your adventures on: 