

READ ME !

Thank you for purchasing a Chevrolet Colorado GMC Canyon (2015-2022) Slimsport Rack Wind Fairing.
Before you start, take a moment to familiarize yourself with the Fitting Instructions and the included components.
Refer to Page 2 for a list of all the components, quantities and tools required.

IMPORTANT WARNING!

IT IS CRITICAL THAT ALL FRONT RUNNER PRODUCTS BE PROPERLY AND SECURELY ASSEMBLED AND ATTACHED TO YOUR VEHICLE. IMPROPER ATTACHMENT COULD RESULT IN AN AUTOMOBILE ACCIDENT, AND COULD CAUSE SERIOUS BODILY INJURY OR DEATH. YOU ARE RESPONSIBLE FOR ASSEMBLING AND SECURING ALL FRONT RUNNER PRODUCTS TO YOUR VEHICLE, CHECKING THE ATTACHMENTS PRIOR TO USE, AND PERIODICALLY INSPECTING THE PRODUCTS FOR ADJUSTMENT, WEAR AND DAMAGE. THEREFORE, YOU MUST READ AND UNDERSTAND ALL OF THE INSTRUCTIONS AND PRECAUTIONS SUPPLIED WITH YOUR FRONT RUNNER PRODUCT PRIOR TO INSTALLATION OR USE. IF YOU DO NOT UNDERSTAND ALL OF THE INSTRUCTIONS AND CAUTIONS, OR IF YOU HAVE NO MECHANICAL EXPERIENCE AND ARE NOT THOROUGHLY FAMILIAR WITH THE INSTALLATION PROCEDURES, YOU SHOULD HAVE THE PRODUCT INSTALLED BY A PROFESSIONAL INSTALLER OR OTHER QUALIFIED PERSONNEL.

NOTE: Front Runner will not be responsible for any damage caused by the failure to install the product according to these instructions.
Please call us if you have any questions about the installation of this product.



1 GET ORGANIZED

IN THE BOX

1	1 X	Light Bar Wind Fairing
2	2 X	Wind Fairing Side Support (1LH + 1RH)
3	1 X	Wind Fairing Mid Support
4	2 X	Light Bar Bracket 01 (1LH + 1RH)
5	2 X	Light Bar Bracket 02
6	9 X	M6 x 16 Flange Buton Head
7	3 X	M8 x 16 Hex Head Bolt
8	3 X	M8 Nyloc Nut
9	3 X	M8 Nut Cap
10	1 X	Wind Faring Rubber (1030mm Long)

TOOLS NEEDED

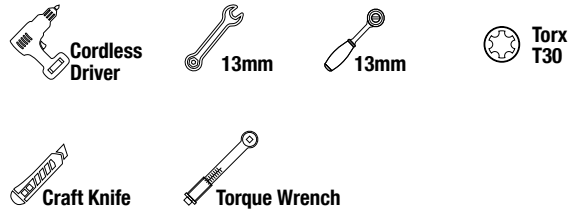
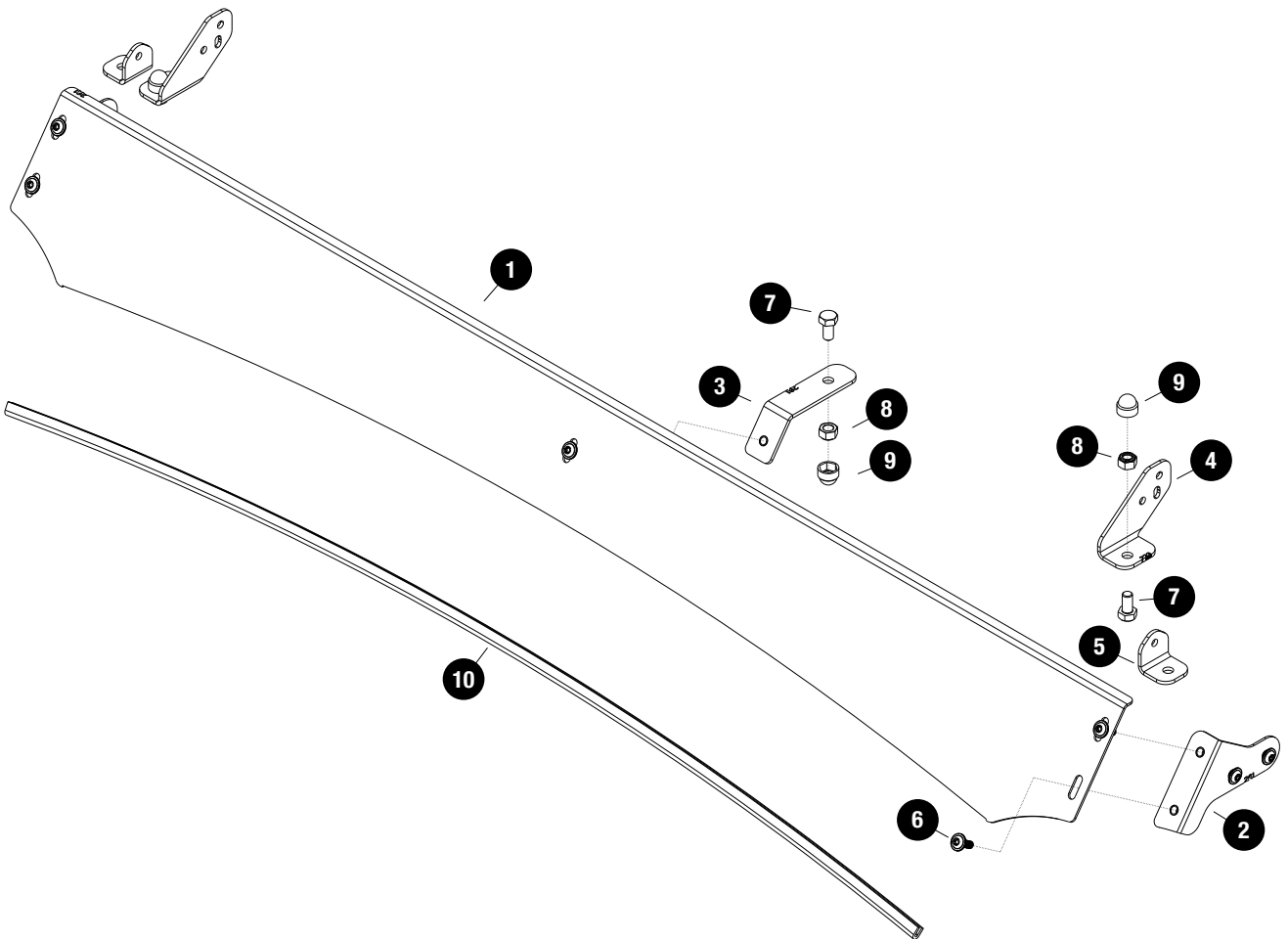


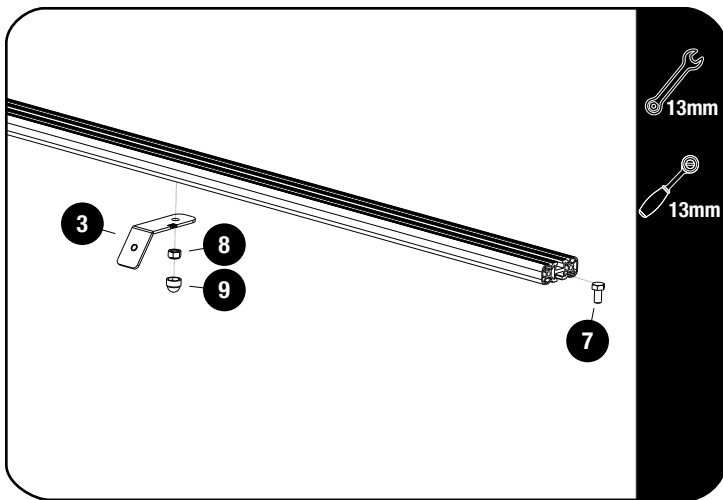
FIGURE 1.1



2

FIT AND SECURE

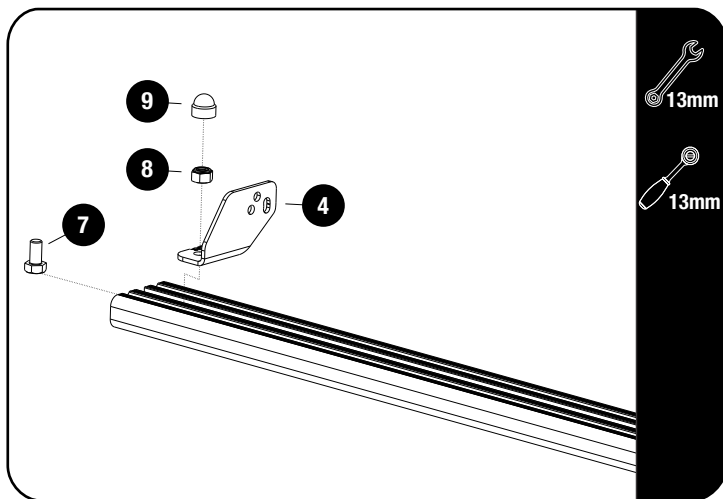
2.1



Slide one M8 x 16 Hex Head Bolt (Item 7) into the T-slot of the front slat. Center the mid support bracket (Item 3) in the middle of the slat and secure using M8 Nyloc Nut (Item 8). Loosly assembly.

Place a M8 Nut Cap (Item 9) over the Nyloc Nut.

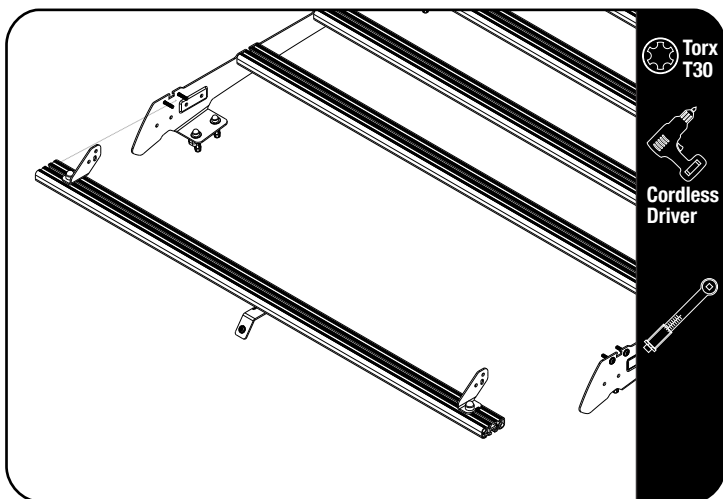
2.2



Fit the Light Bar Bracket 01 LH / RH (Item 4) for for the 40" Light Bar, using M8 x 16 Hex Bolt & M8 Nyloc Nut (Items 7 & 9). Fit the light bar and center it on the slat before fully tightening the brackets.

Place M8 Nut Caps (Item 9) over all Hex Bolts.

2.3



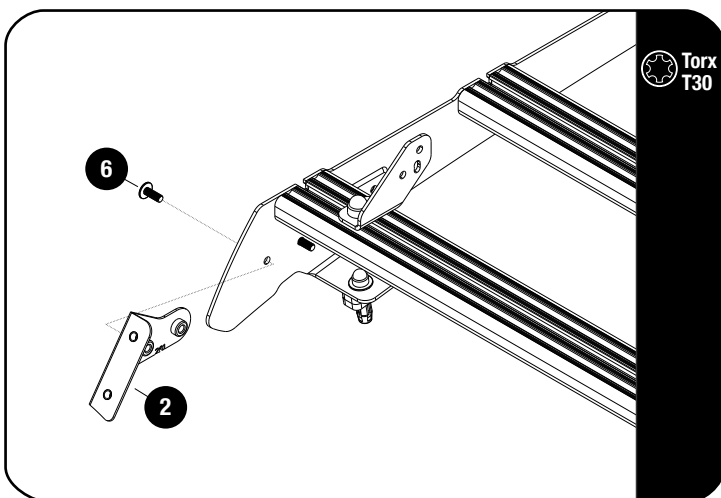
Secure assembly 2.2 to the front two top holes on the foot rails using the fasteners supplied with KSCC001.



Tightening Torque 8-10Nm / 5.9 ft lb - 7.38 ft lb.

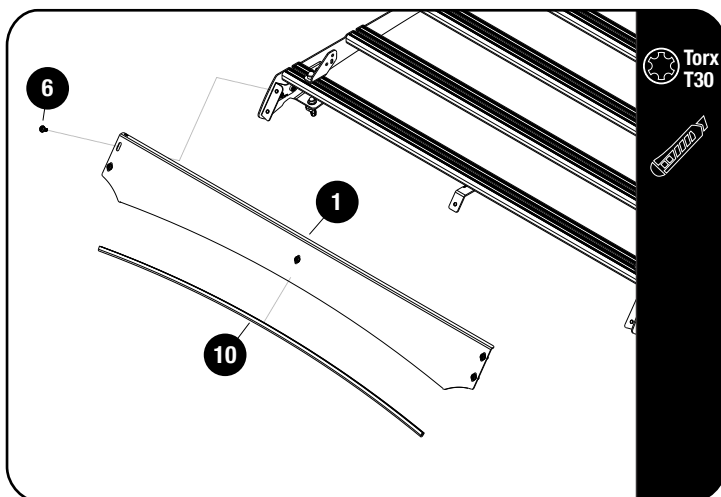
2**FIT AND SECURE**

2.4



Secure the Wind Fairing Side supports LH / RH (Item 2) to the foot rails bottom holes as shown using M6 x 16 Flange Button Heads (Item 6).

2.5



Fit the Wind Fairing Rubber (Item 10) to the Wind Fairing (Item 1). Using the notched section as a guide, trim if needed.

Secure the Wind Fairing assembly to the rack assembly, using M6 x 16 Flange Button Heads (Item 6) and fully tighten all fasteners.

3**FINISH**

Congratulations! You did it. Take a step back and admire your work!

4**INSTALL OTHER VEHICLE AND RACK ACCESSORIES**

Now's the time to visit your favorite Front Runner Dealer in person or online.

Be sure to tag us. We love to see our gear in action! #FrontRunnerOutfitters #BornToRoam

Share your adventures on:

