



MANUAL

# GUSTO SAFETY PRECAUTIONS

The appliance is not intended for use by persons (including children) with reduced physical, sensory or mental capabilities, or lack of experience and knowledge, unless they have been given supervision or instruction concerning the use of the appliance by a person responsible for their safety.

Children should be supervised to ensure that they do not play with the appliance.

Check the blower and hose outlet for the presence of foreign objects prior to use. Check that there are no foreign objects obstructing the pre-motor filter prior to use.

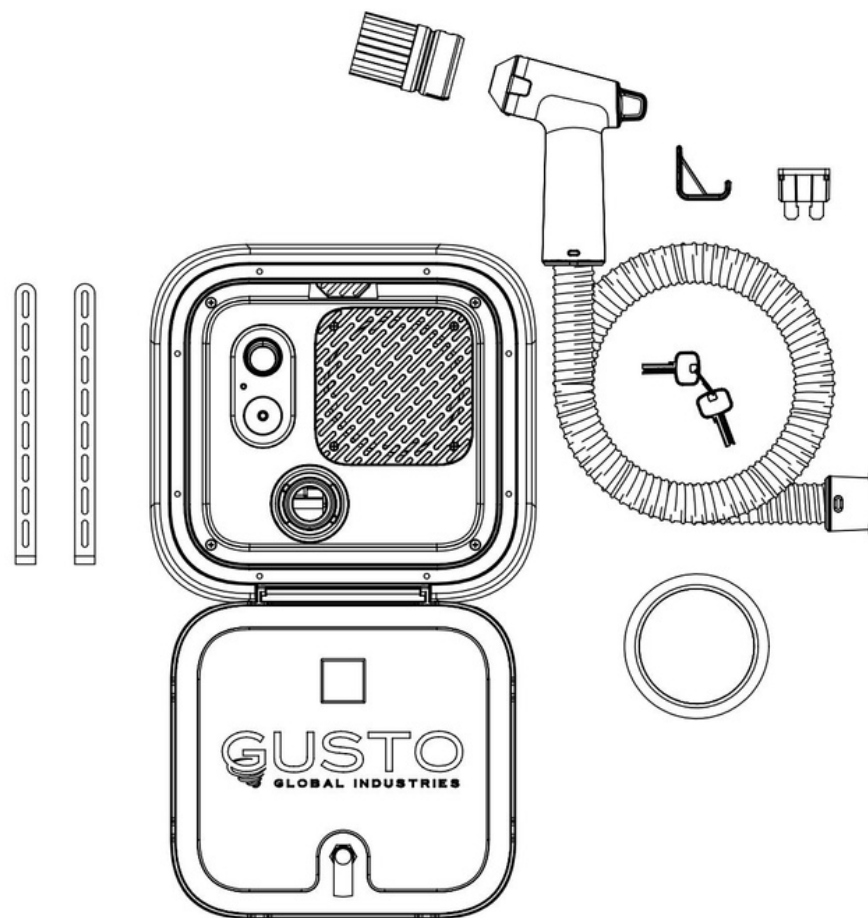
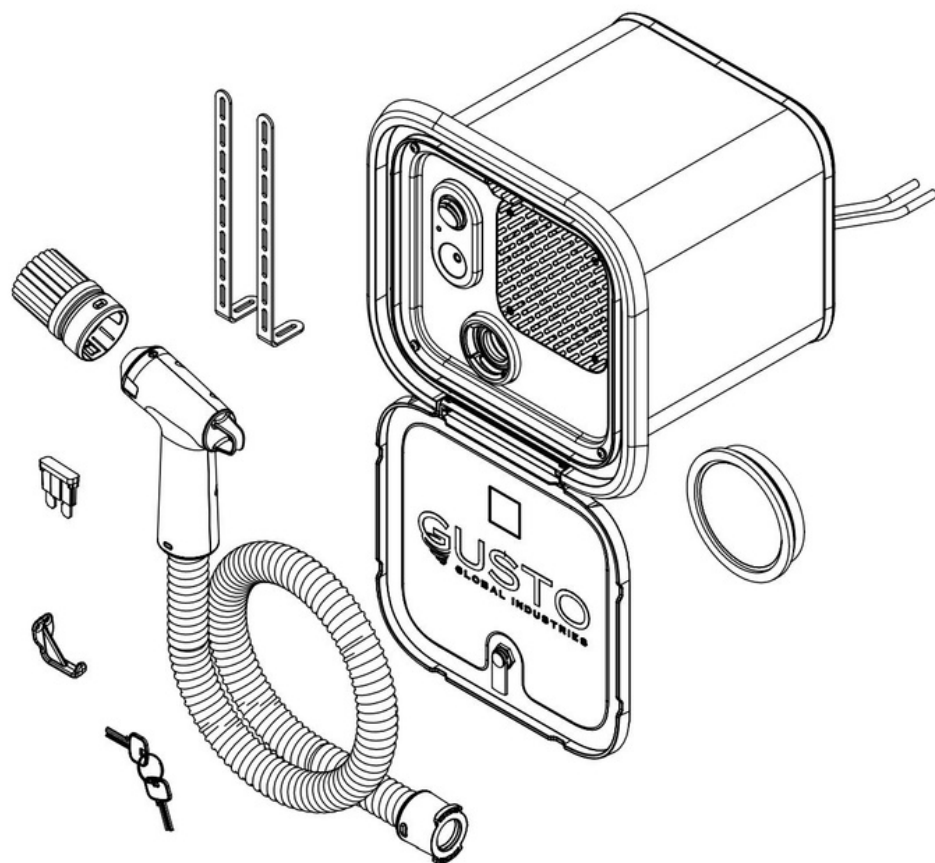
If the cable supplying power to Gusto is damaged or shows signs of wear, it must be replaced by an accredited and licensed electrician or similarly qualified persons in order to avoid a hazard.

The Gusto unit should not be submerged in water.

When not in use, we recommend the Gusto be turned off, the door fastened and hose securely stowed away.

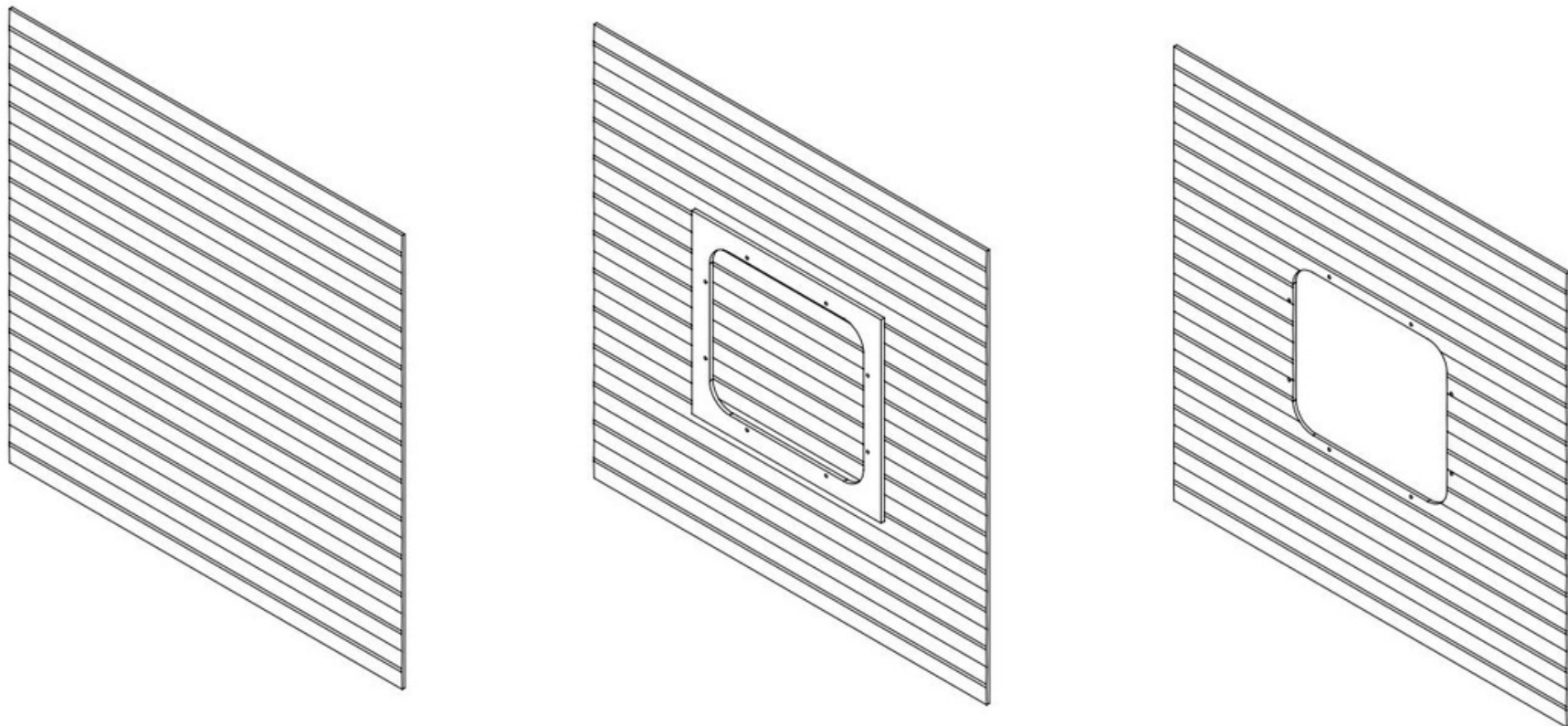
Ensure the Gusto is switched off after use.

# PROVIDED COMPONENTS



# INSTALLATION

Place template on caravan wall. Template size: 235 x 215mm with 30mm radius. Mark out hole to be cut using an appropriate marker. Also take note of the holes positions for fasteners to be used (rivets or sheet metal screws). Once marked, cut out using appropriate tool for the caravan material.



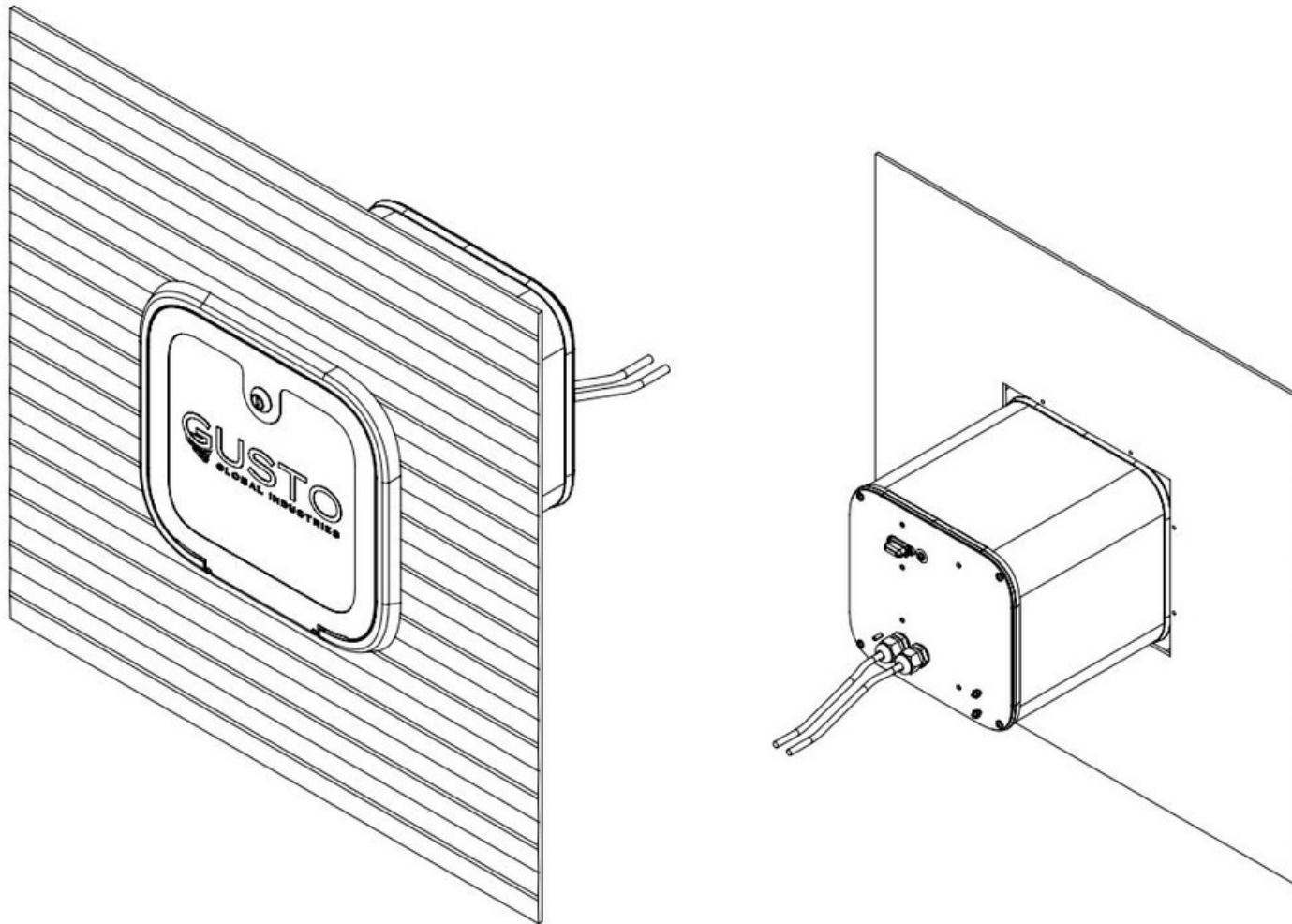
*Ensure a 10mm air gap is maintained around the aluminium housing of the Gusto unit upon installation.*

*A minimum air gap of 20mm between the rear of the Gusto unit and any fixed structure to ensure easy access to support brackets, electrical connections and blade fuse, all located on the rear plate of the device.*

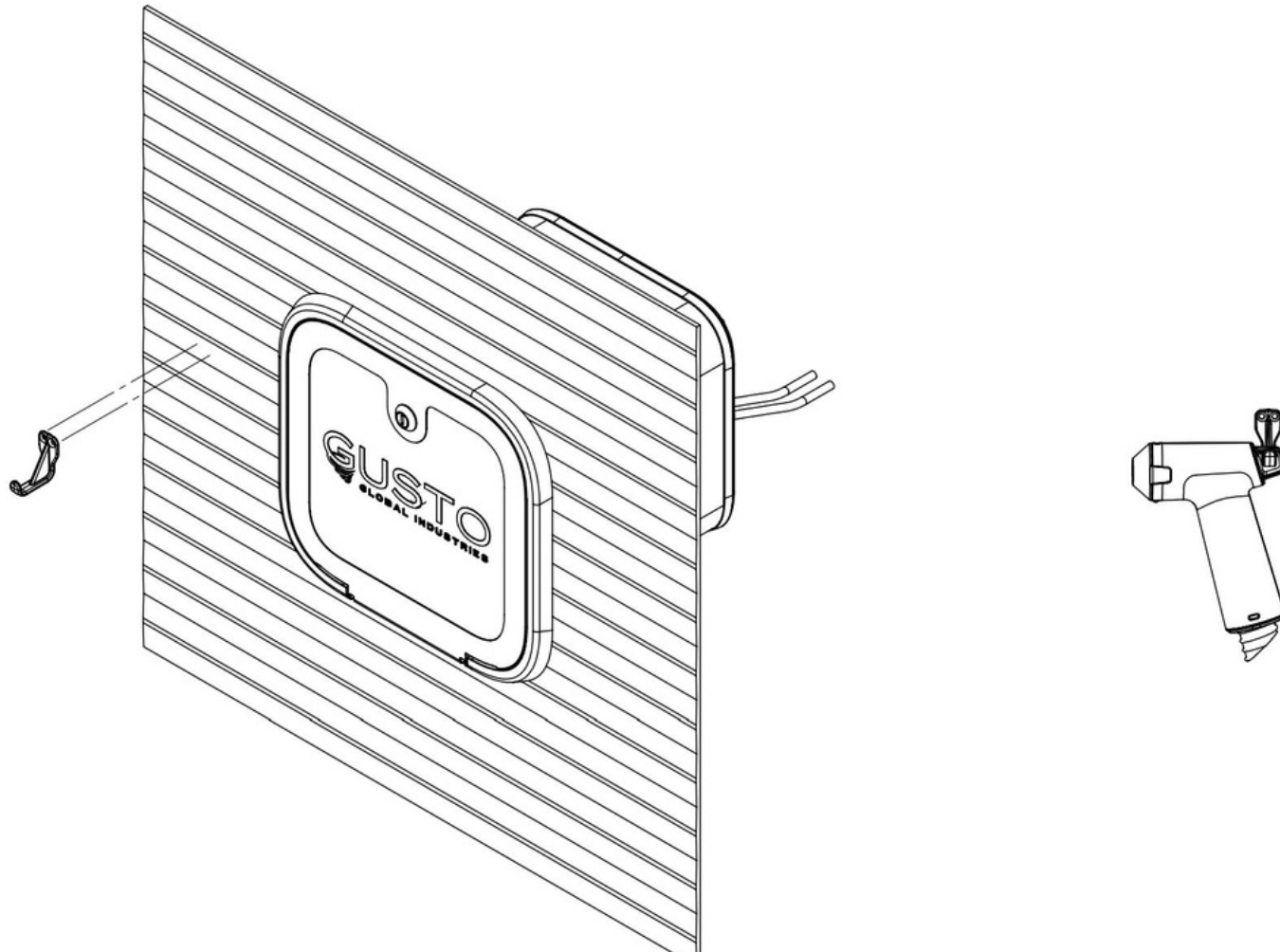
*The Gusto device requires unobstructed airflow through the pre-motor filter to ensure adequate ventilation is provided to the motor during normal use.*

Slide GUSTO into place and check overall fitment and clearance.

*Ensure the Gusto unit is switched off and disconnected from power before installing into the side of the caravan.*



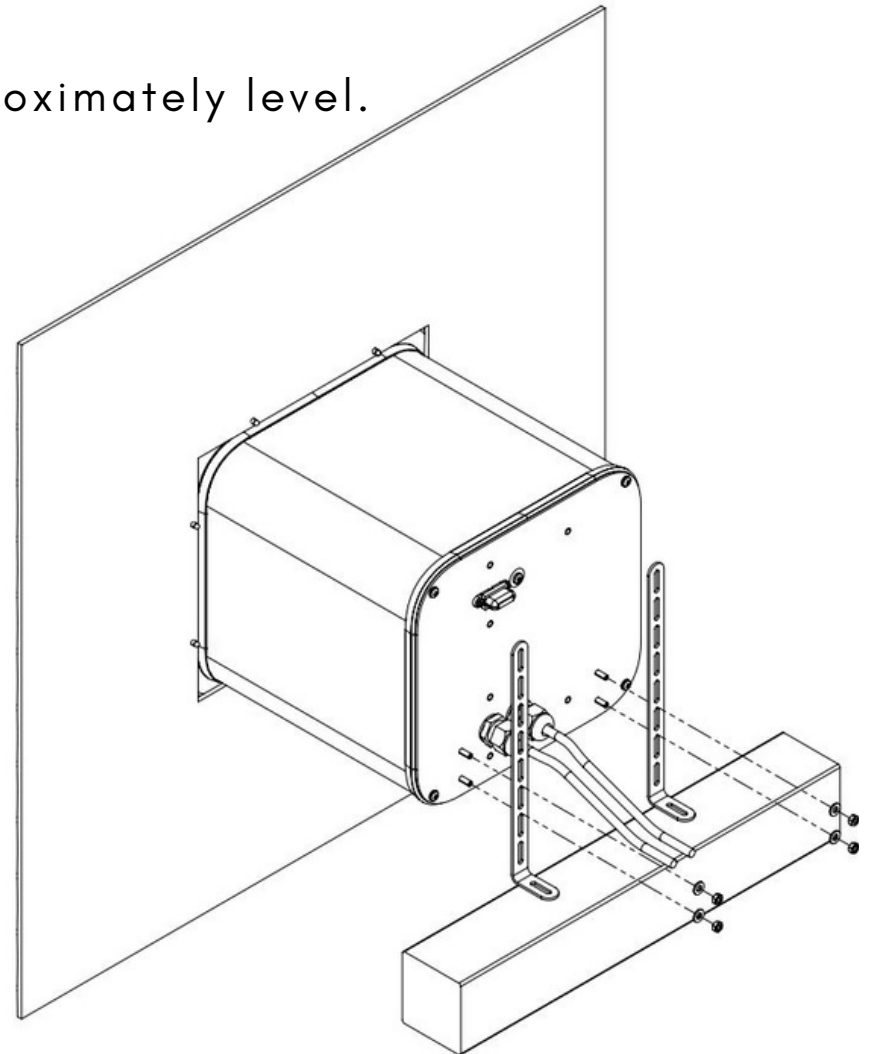
Place hook in preferred location, ensuring that the handle can reach and sit correctly on the hook.



If required, construct a suitably sized mounting block out of wood. The mounting block should be flat, structural and parallel with the bottom of the GUSTO. Ensure foot of brackets are secured to a solid surface.

Adjust blower support brackets until GUSTO is approximately level.

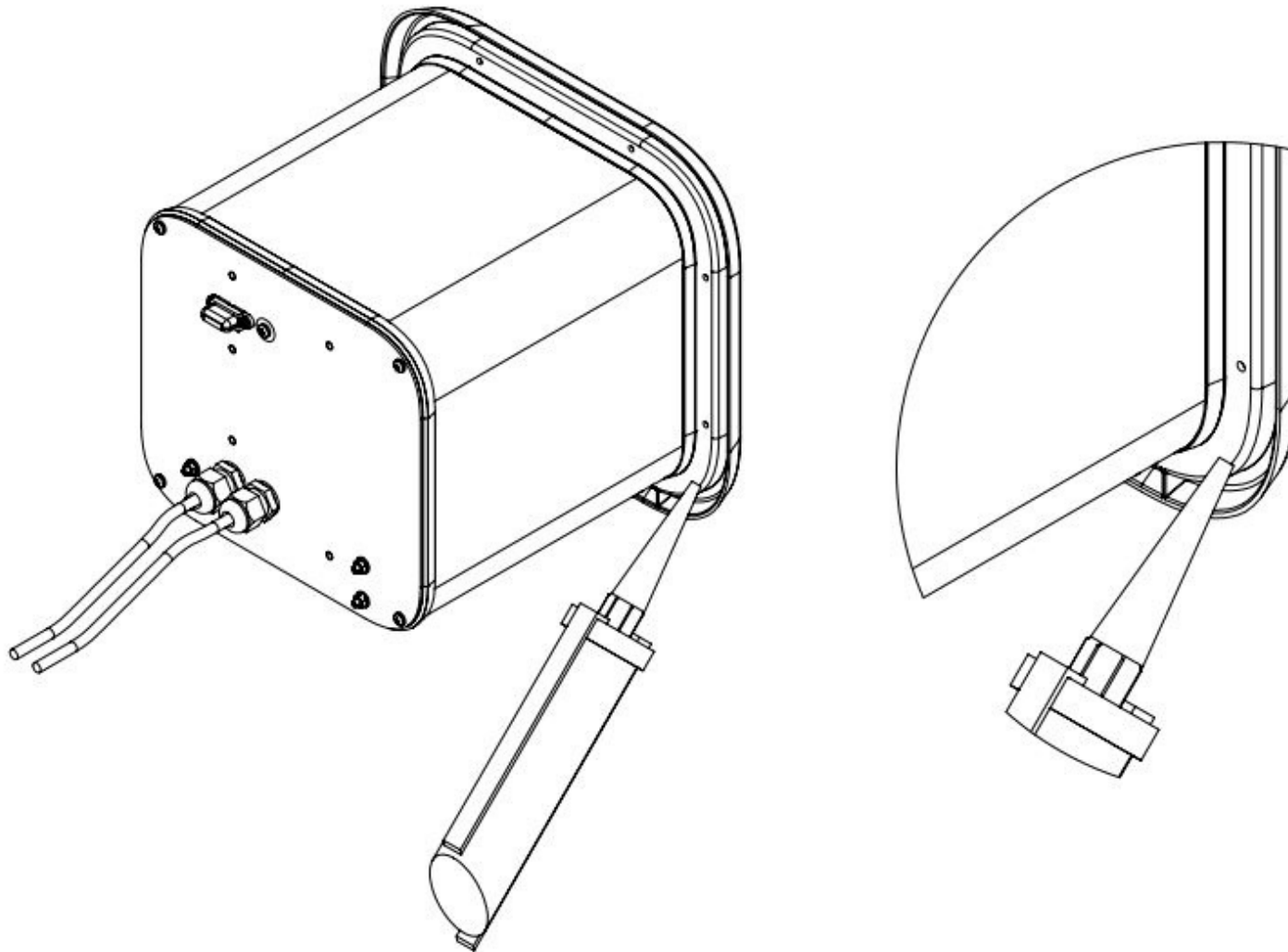
Lightly tighten support nuts and washers.





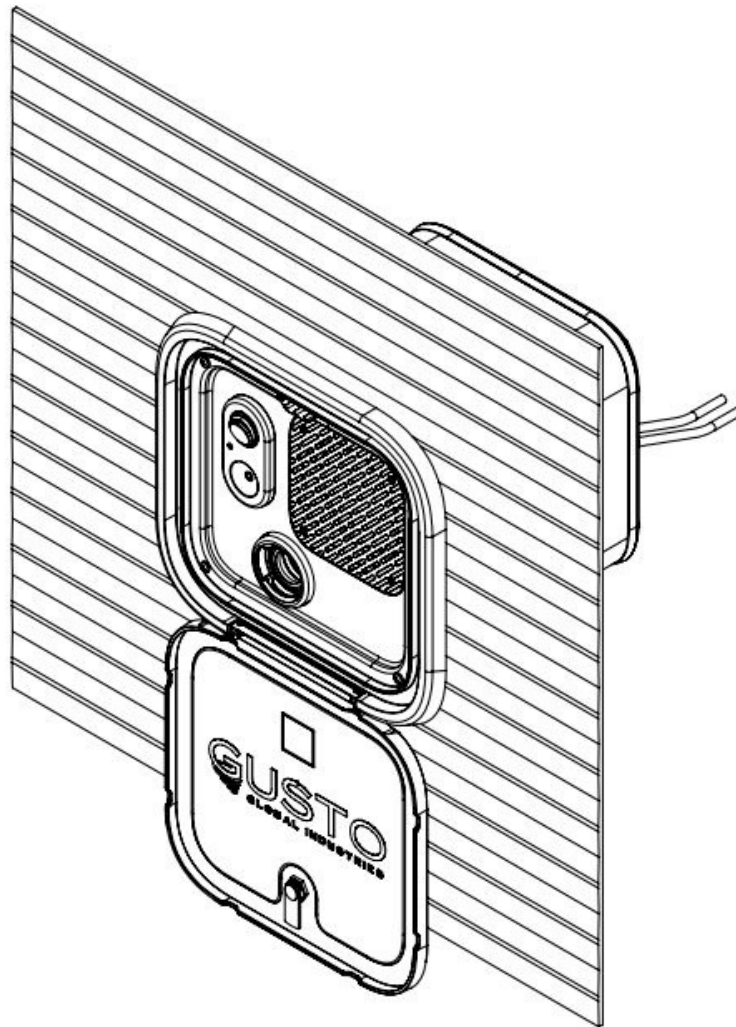
Slide out GUSTO and apply all-weather sealant to contact surface.

Cover rivet holes from the front with tape or plugs to ensure large amounts of sealant doesn't come out.

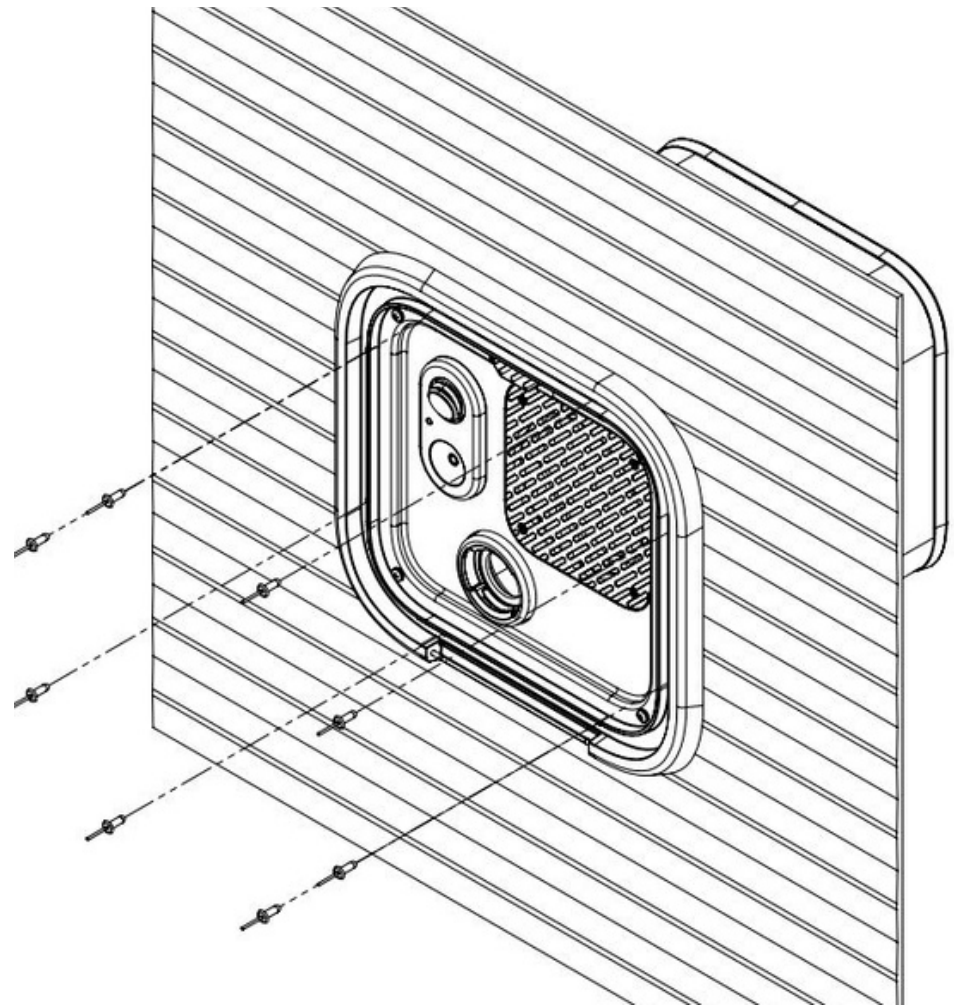
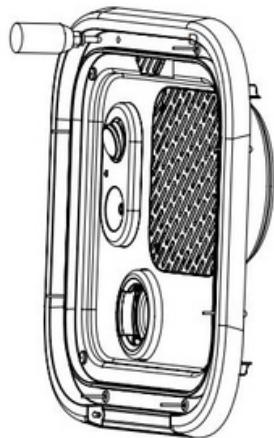
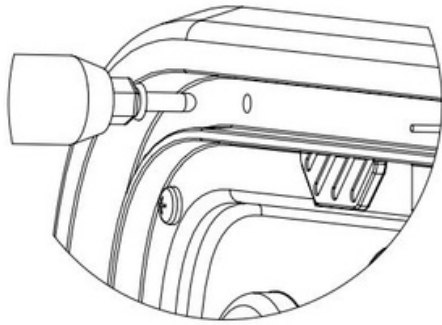


Slide GUSTO into place, ensuring sealant forms a water-proof seal.

Now install rivets to secure in place. See next page.



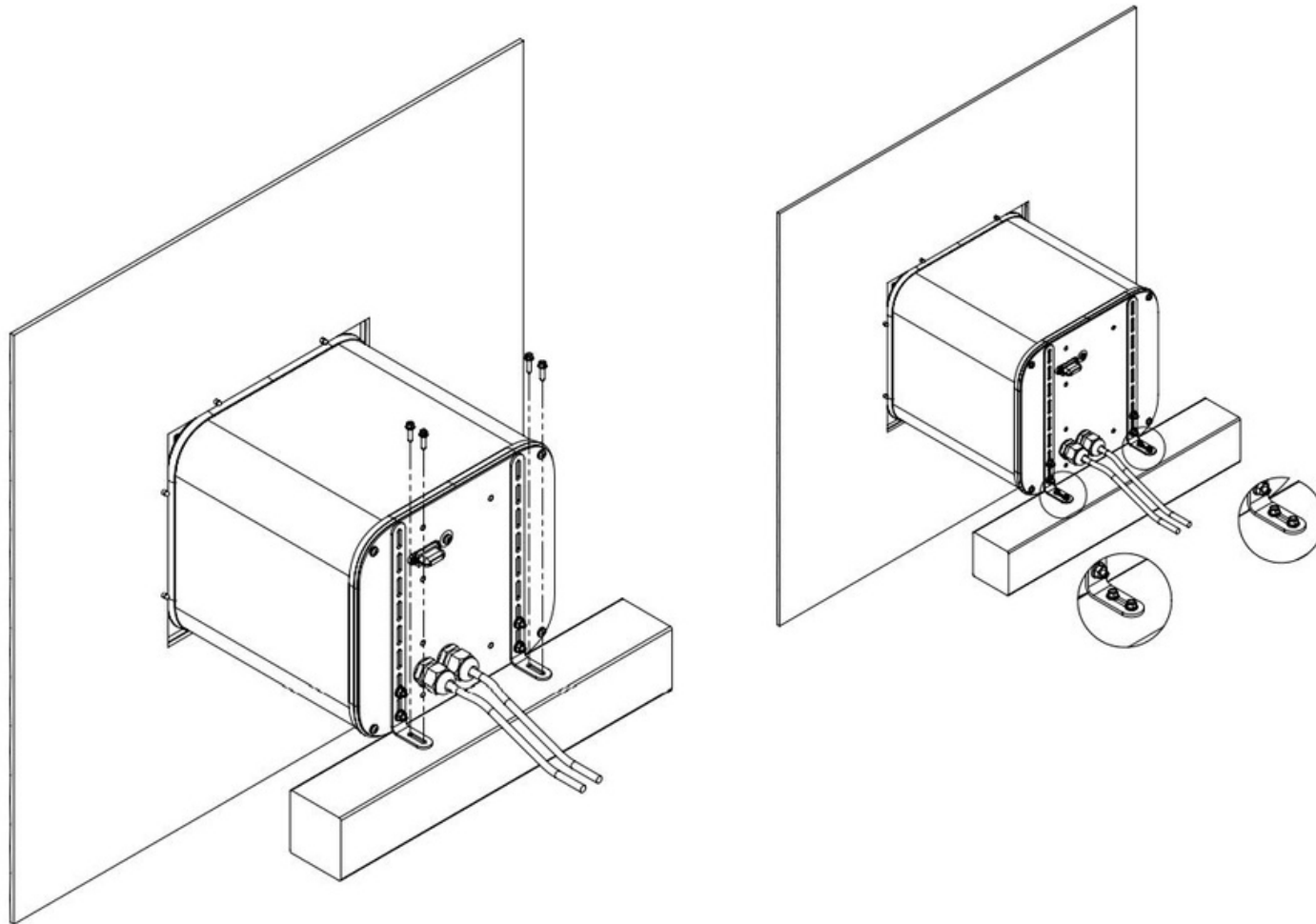
Rivets to be installed from the outside to maintain aesthetics.  
Clear sealant out of holes and install rivets or screws.



Fasten blower support brackets to structural block ensuring blower box is level.

NOTE: screws are not supplied and will depend on support block material.

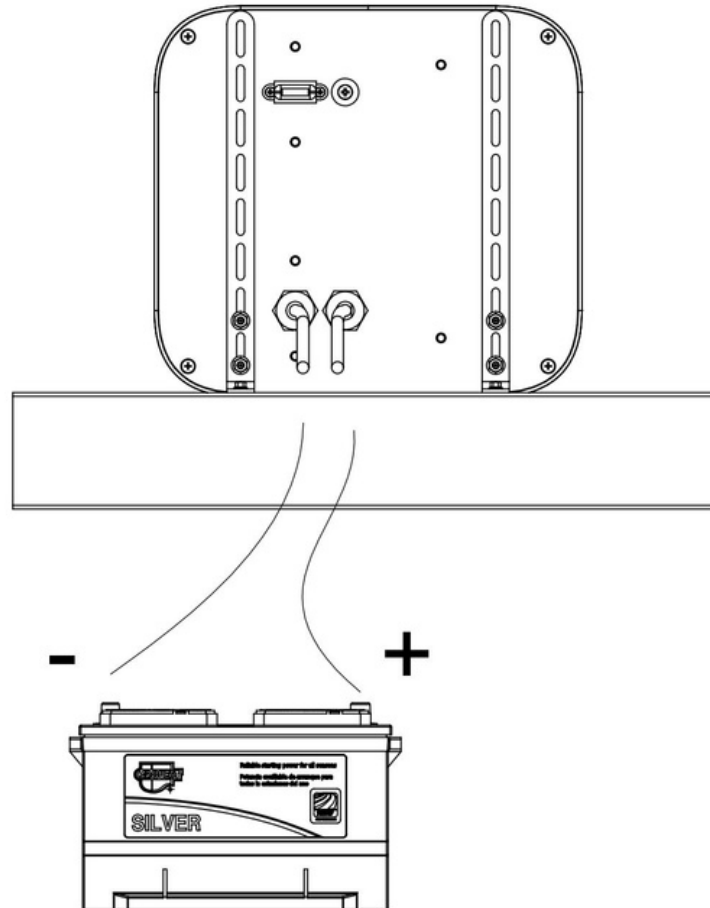
Adjust and tighten bracket nuts and washers, as required.



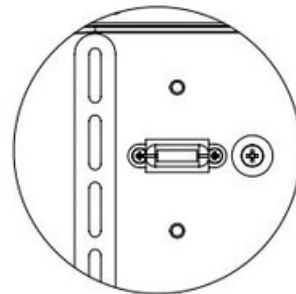
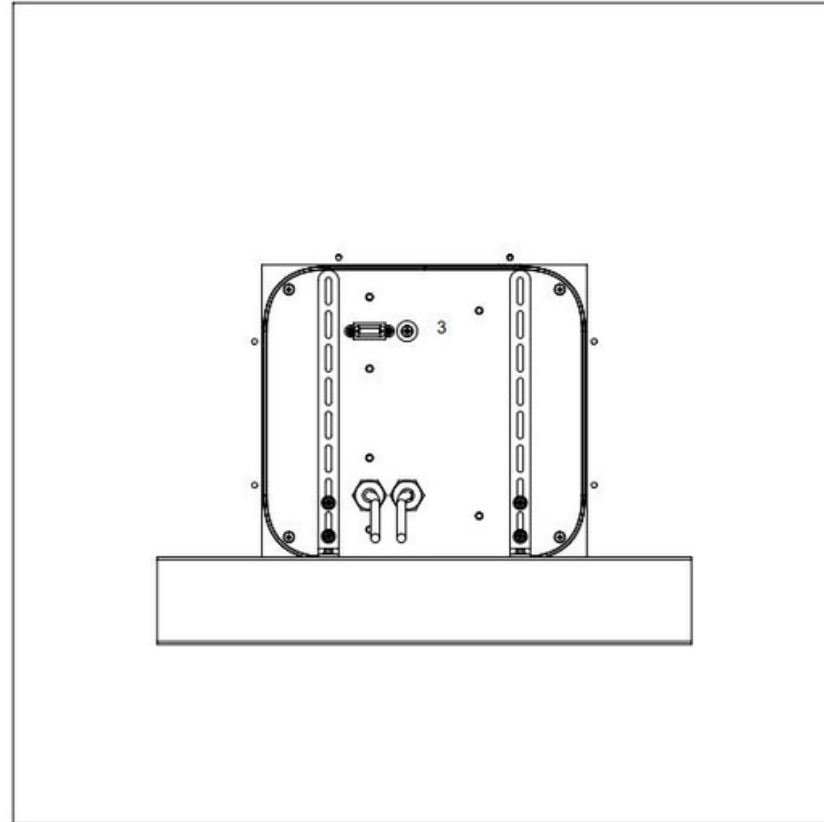
Connect GUSTO to appropriate 12V DC power source.

NOTES:

- Use 6 B&S size cable up to 3m from battery. If battery and GUSTO are more than 3m apart, you will require a thicker cable as voltage drop will occur.
- This step is to be completed by an accredited and licensed electrician.
- Battery, additional wiring and connectors / junction box not provided.

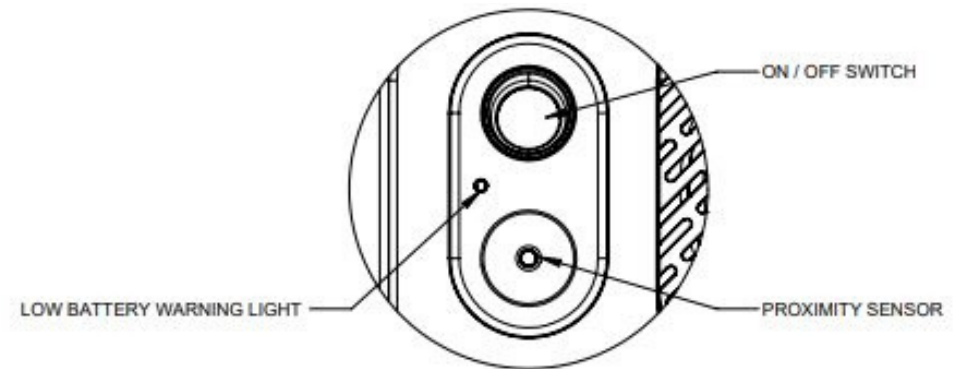
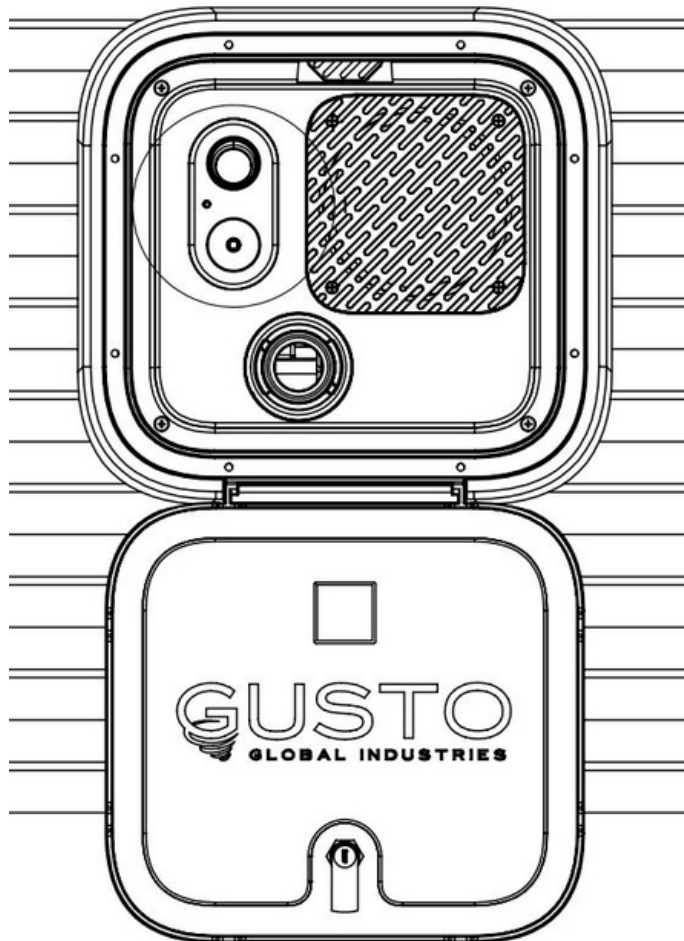


Install 40amp blade fuse. Ensure the unit is switched off before installing.

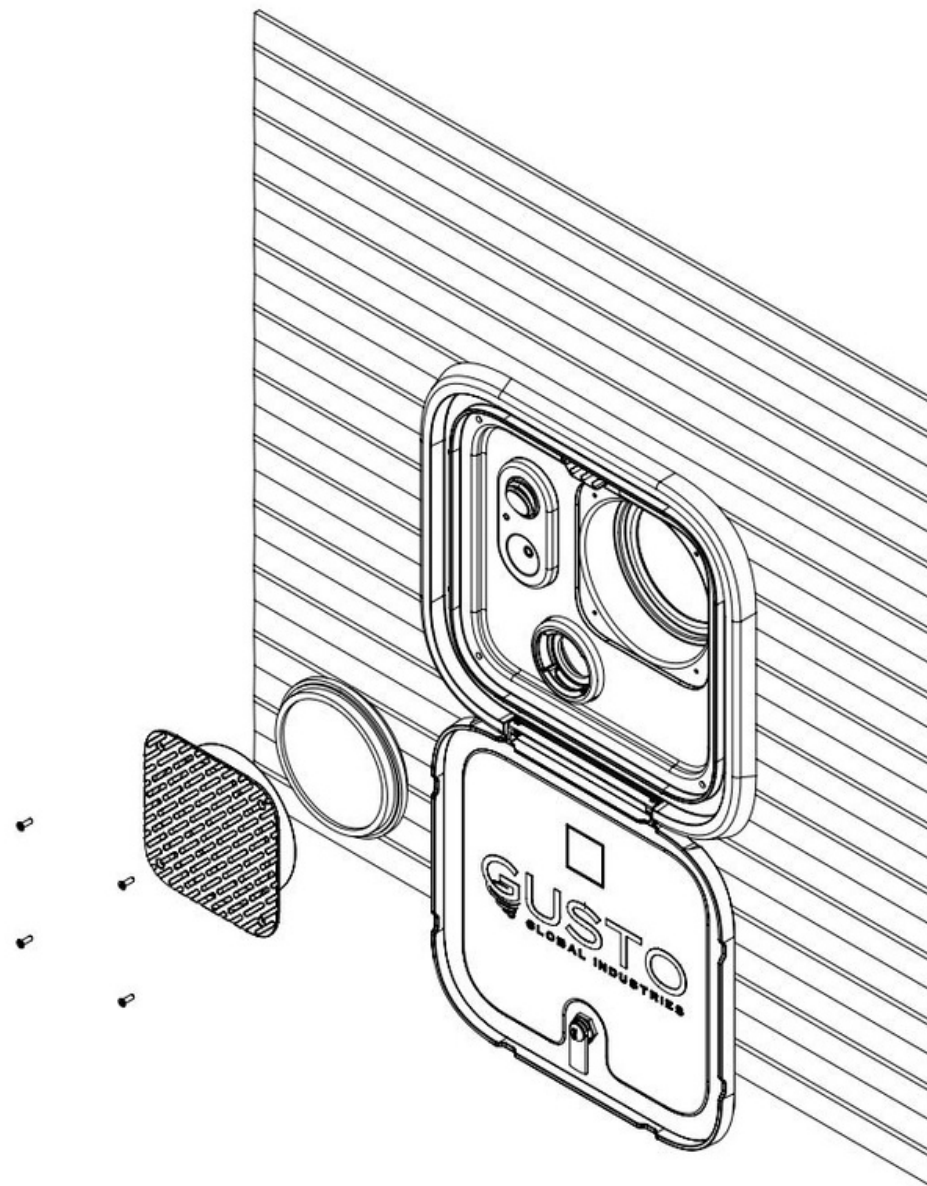


Switch on at 'ON / OFF' switch.

Wave hand in front on proximity sensor to test operation.



# FILTER REPLACEMENT DIAGRAM

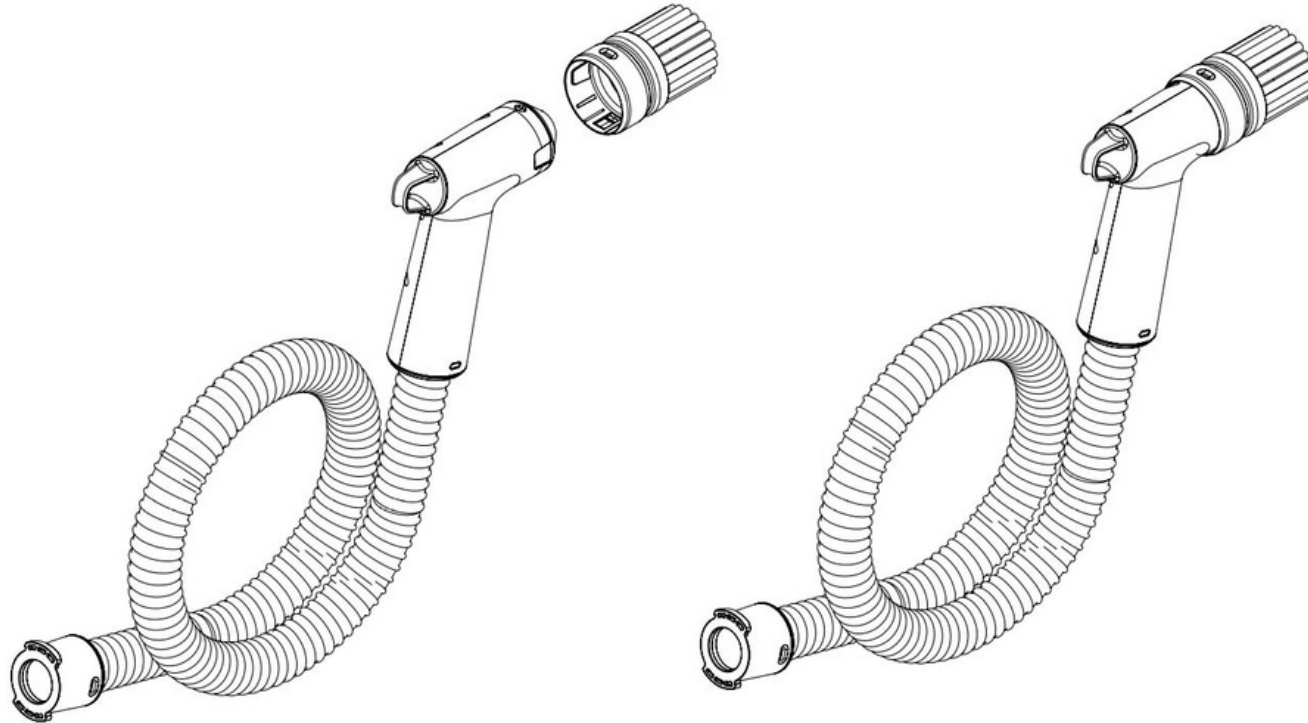




## **BRUSH REMOVAL AND INSTALL PROCESS**

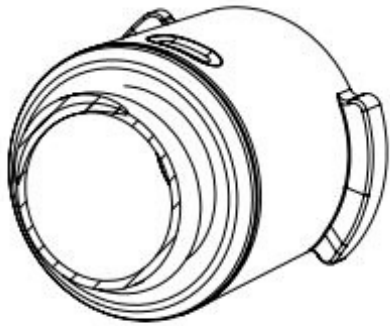
Line up brush with handle and push on. No rotation required.

NOTE: brush to be attached to hose prior to use - brush & blower combination ensures maximum effectiveness.



# BAYONET FITTING INSTALLATION

Align wings horizontally and push into front panel.



Twist 90 degrees clockwise to lock in place.



# WARRANTY

The Gusto motor, parts and accessories have a one-year warranty period.

For warranty purposes, please keep your receipt. This will be required if you need to submit a warranty claim.



Need help with your appliance?

Visit: **[gustoglobalindustries.com](http://gustoglobalindustries.com)**

Due to continued product improvements, product illustrations & photographs  
in this manual may differ slightly from the actual product.

[info@gustoglobalindustries.com](mailto:info@gustoglobalindustries.com)

[www.gustoglobalindustries.com](http://www.gustoglobalindustries.com)

[@gusto\\_global\\_industries](#)



CLD1-Manual\_1.02