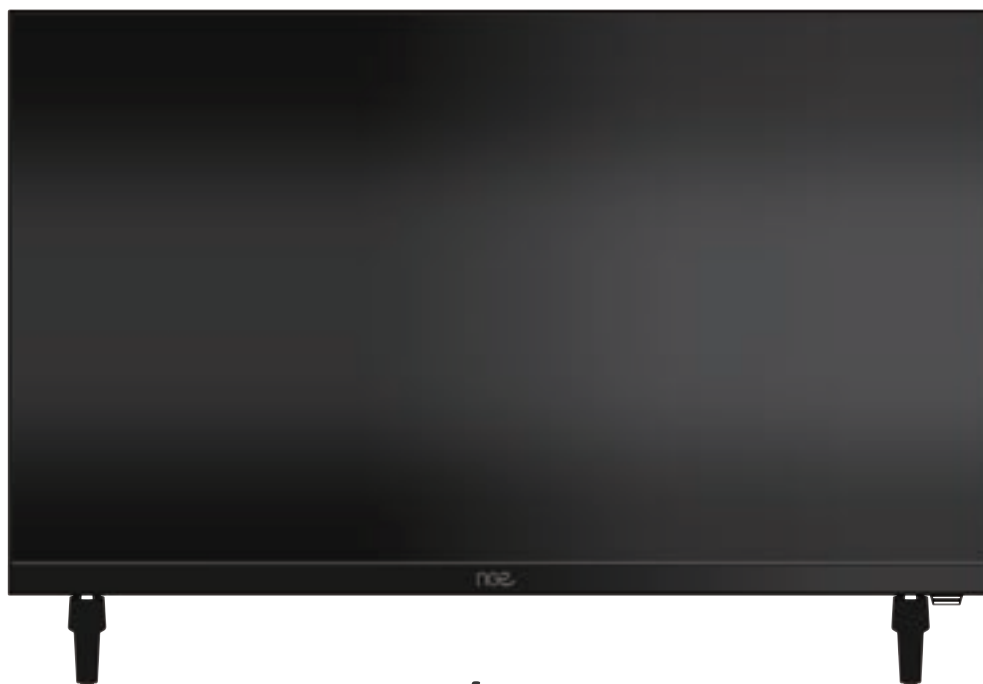




NCE SMART DTV USER MANUAL



12V / 240V

Summary

Caution	3
Safety Information	4
Accessories	5
Technical Specification	5
Controls on the TV	6
TV Input&Outputs	7
REMOTE CONTROL FUNCTIONS	8
Getting started-Basic operations	11
INITIAL SETUP	12
HOME	16
SETTING	17
Channels&Inputs	17
Network&Internet	17
System	18
About	18
Factory reset	18
TV Source setting	18
Accounts & Profiles	19

Caution



The lightning flash with arrowhead symbol, within an equilateral triangle is intended to alert the user to the presence of un-insulated “dangerous voltage” within the products enclosure that may be of sufficient magnitude to constitute a risk of electric shock to the persons.



The exclamation point within an equilateral triangle is intend to alert the user to the presence of important operating and maintenance (servicing) instructions in the literature accompanying the appliance.



Correct disposal of this Product

(Waste Electrical & Electronic Equipment (WEEE))

Your product is designed and manufactured with high quality materials and components which can be recycled and reused.

This symbol means that electrical and electronic equipment, at their end-of-life should be disposed of separately from your household waste.

Please dispose of this equipment at your local community waste collection/ recycling centre.



Pb

Please help us to conserve the environment we live in!



The terms HDMI and HDMI High-Definition Multimedia Interface, and the HDMI Logo are trademarks or registered trademarks of HDMI Licensing Administrator, Inc. in the United States and other countries.

Safety Information

To ensure reliable and safe operation of this equipment, please read carefully all the instructions in this user guide, especially the safety information below.

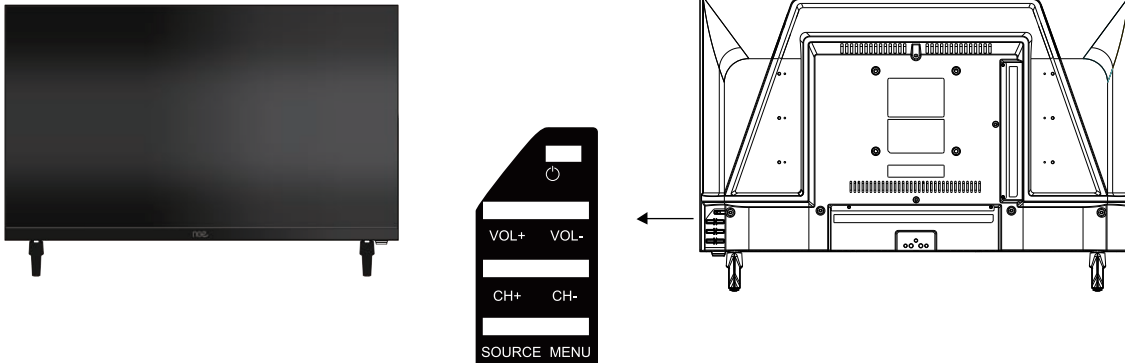
Electrical safety

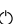
- The TV set should only be connected to a mains supply which matches that stated on the label on the mains adaptor.
 - To prevent overload, don't share the same mains supply socket with too many other equipment.
 - Do not place any connecting wires where they may be stepped on or tripped over.
 - Do not place heavy items on the leads, which may damage them.
 - Hold the Mains plug, not the wires, when removing from a socket.
 - During a thunderstorm or while leaving the TV for long periods, disconnect the aerial (if outdoor) and mains adaptor from the supply.
 - Do not allow water or moisture to enter the TV or mains adaptor. Do NOT use in wet or moist areas such as Bathrooms, steamy kitchens or near swimming pools.
 - Pull the plug out immediately, and seek professional help if:
 - the mains plug or cable is damaged.
 - liquid is spilt onto the set, or if it is accidentally exposed to water or moisture.
 - anything accidentally penetrates the ventilation slots.
 - the set does not work normally.
 - Do NOT remove the safety covers. There are no user serviceable parts inside. You may invalidate the warranty. Only qualified personnel are permitted to service this apparatus.
 - To avoid battery leakage, remove exhausted batteries from the remote control handset, or when not using for along period.
 - Do NOT break open or throw exhausted batteries on a fire.
-

Physical safety

- Do NOT block ventilation slots in the back cover. You may place the TV in a cabinet, but ensure at least 5cm (2") clearance all around the unit.
- Do NOT tap or shake the TV screen, you may damage the internal circuitry. Take good care of the remote control, do not drop it or allow it to come into contact with liquids.
- To clean the TV use a soft dry cloth. Do NOT use solvents or petrol based fluids. For stubborn stains, you may use a damp soft cloth with diluted detergent.

CONTROLS ON THE TV



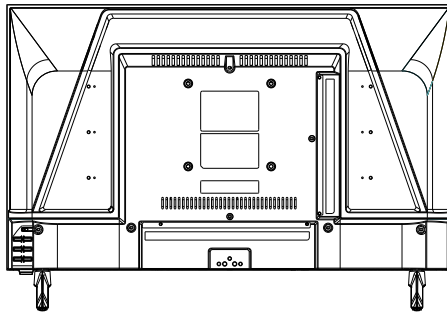
1.  button - To turn the TV ON/OFF.
2. VOL +/- button - To increase/decrease the volume level or move left/right.
3. CH +/- button - To select next channel or move up / to select previous channel or move down.
4. SOURCE button - To select the input source.
5. MENU button - To enter menu setting page.

INSTALLATION

Wall-Mounting

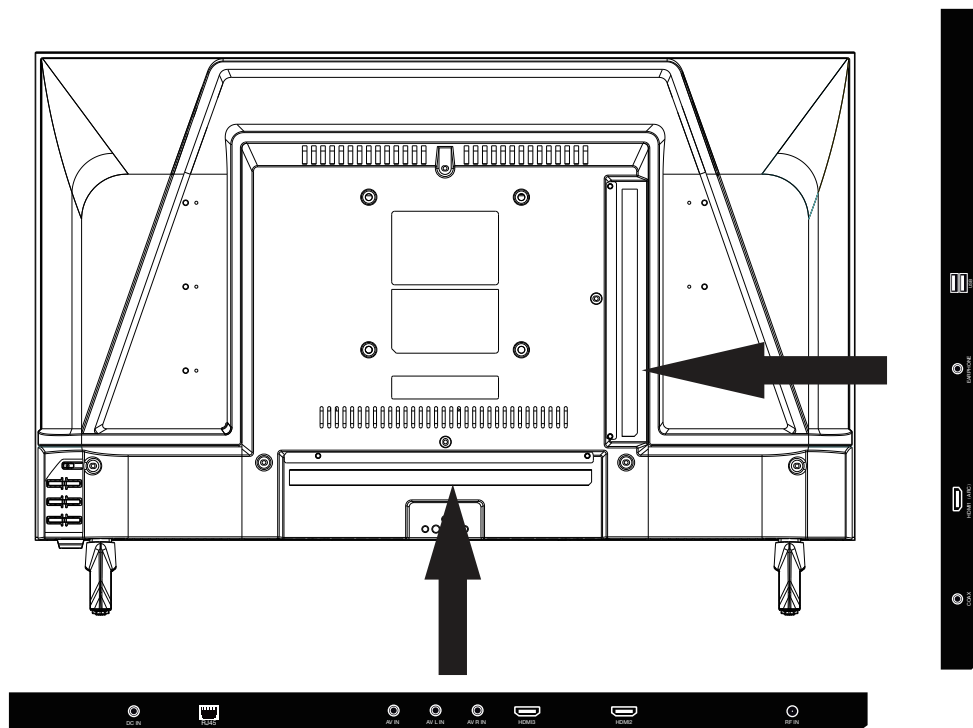
This television set is equipped with VESA mounting points on the back panel for use with wall-mounting brackets (not included).

NOTES: The distance in width and height between the holes is 100x100mm



It is recommended that this TV be removed from the wall bracket when the RV is in transit.

TV INPUT & OUTPUTS

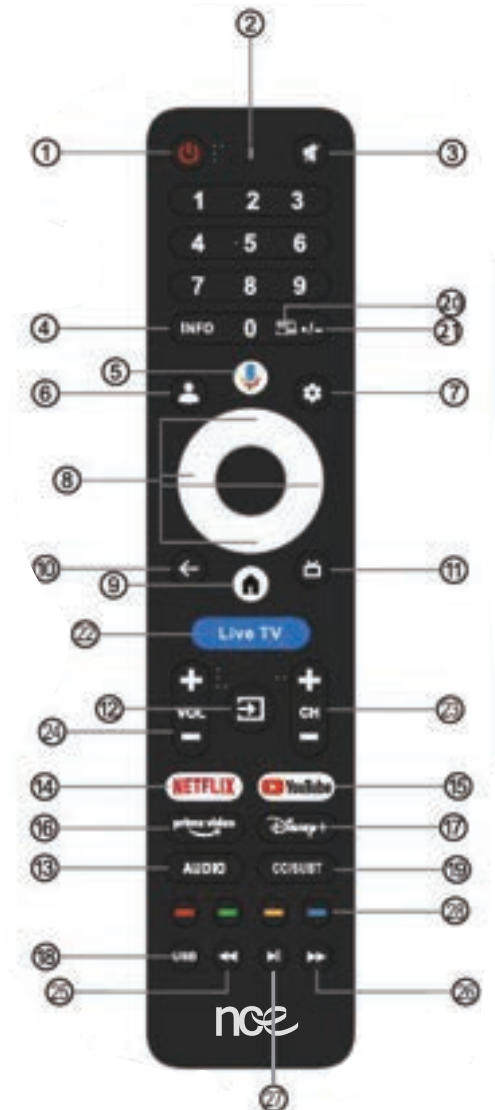


NOTE: Please, make sure the inputs and outputs have solid connections before connecting power.

1. DC IN: POWER (DC12V/24V or plugpack) input
2. RJ45 : For internet connection via a modem or router.
3. AV Input : Composite Video & Audio in (A/V)
4. HDMI 3 Input : HDMI in.
5. HDMI 2 Input : HDMI in.
6. RF Input(DVB-T2) : Connect to external antenna to receive DTV signal in DTV mode.
7. Optical Out : Digital Audio output for surround sound/sound bars etc.
8. HDMI 1 Input : HDMI in..
9. Headphone Jack : Headphone output jack.
10. USB : Use for mouse or keyboard connection; Install apps; For media playback when Media is the TV's selected source.

REMOTE CONTROL FUNCTIONS

- ① Switches the TV between on and standby mode.
- ② Indicator light
- ③ Mute or restore your TV sound.
- ④ **INFO:** Displays the present channel information such as the current time and channel name.
- ⑤ **Google Assistant:**
Talk to Google to control your TV using your voice.
- ⑥ **Profiles:** Switch between profiles.
- ⑦ **Setting:** In the HOME page, this button is “Dashboar” function. On the Live TV, this button is “Menu” function.
- ⑧ **Navigation buttons:** Cursor UP/LEFT/RIGHT/DOWN.
- ⑨ **HOME:** Displays the home screen.
- ⑩ **Back:** Press to move back through menus.
- ⑪ **Live Guide:** Open the Live TV EPG.
- ⑫ **Inputs:** Display/Select signal source options.
- ⑬ **Audio:** Displays the Audio Language list and select an audio language or audio format if available (only applicable when the TV programme has this feature).
- ⑭ **NETFLIX:**
Connects to NETFLIX for viewing online TV shows and films (internet connection required).
- ⑮ **YouTube:**
Connects to YouTube (internet connection required).
- ⑯ **Prime video:**
Connects to Prime video (internet connection required).
- ⑰ **Disney+:**
Connects to Disney+ (internet connection required, some regions may not support it).
- ⑱ **USB:** Press to enter Multimedia Player.
- ⑲ **CC:SUBT:** Close Caption.
- ⑳ **TXT:** Press to enter Teletext when play the program.
- ㉑ **■/■-:** Enter “■/■-” for Sub-channel symbol (Ex:11. 1;11-1).

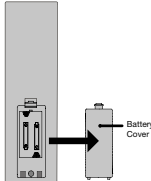


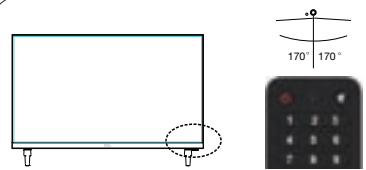
REMOTE CONTROL BATTERIES AND RANGE

- ②② **Live TV:** Open the Live TV
- ②③ **CH+/-:** Change program channel
- ②④ **VOL+/-:** Turn up/down the volume.
- ②⑤ **Fast backward:** Fast backward in multimedia.
- ②⑥ **Fast forward:** Fast forward in multimedia.
- ②⑦ **Play/pause:** Fast forward in multimedia.
- ②⑧ **Red/Green/Yellow/Blue:** Special function key. Used in uncertain special scenarios

Installing Batteries

1 Open the battery compartment cover on the back side.

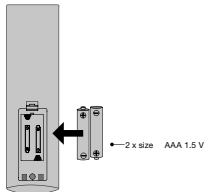




To use the remote control, point it towards the special remote sensor slightly below the television. The remote has a range of up to seven meters from the TV at an angle of up to 170 degrees! - depending on the the RV's interior layout.

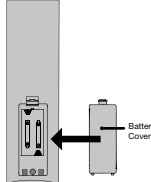
2 Insert two 1.5VAAA size Alkaline* batteries in the correct polarity. Don't mix old or used batteries with new.

***Due to the additional power required for the backlight function, we recommend the use of quality Alkaline batteries for best results.**



← 2 x size AAA 1.5 V

3 Replace the cover .



Note:

- Batteries should not be exposed to excessive heat such as direct sunlight, fire or the like.
- If not being used for a period of time, please remove the batteries from the remote in case of leakage.
- Do not mix old & new batteries together.

GETTING STARTED - POWER CONNECTION

Power Connection Options

Power Adaptors

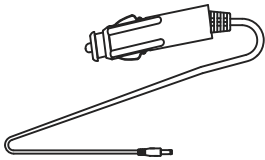
Your RV Media TV with USB functionality can operate from two different power sources allowing you to use your TV in a multitude of applications:

- Caravans, Campers & RV's
- Trucks (12V or 24V operation)
- Marine (12V or 24V operation)
- Store Demonstrations
- Home use
 - Kitchens
 - Bedrooms
 - Garage
 - PC Monitor
 - Security systems etc.

12/24V operation

Your TV is supplied with a 12V style accessory lead (cigarette lighterplug) which can be connected to 12V or 24V sources. This power method also ensures that in 12V applications, your TV is protected from voltage spikes from Charges and Solar Systems etc up to 30V

Note this lead is also available as a spare part should you require a second power connection point or if it gets lost.



240V Mains Operation

The TV can also operate on 240V with the supplied 240V power adaptor.



Note: If apply power suppliers, pls use 12V 3A adaptor.

GETTING STARTED - BASIC OPERATIONS

Make sure all necessary connections are correctly made before connecting the power adaptor and turning on the power. The power indicator on the TV will turn red to indicate it is in stand by mode.

power on/off

Press \odot /I on the remote control to turn on TV. The power indicator will change from red(stand-by) to no color(on).

To turn the TV off, press \odot /I The unit will revert to stand-by mode and the power indicator will turn red.

1. Initial Setup

For the first initial setup, the on-screen setup guide will guide you through setting up your TV. Please follow the guide to setup your TV correctly.

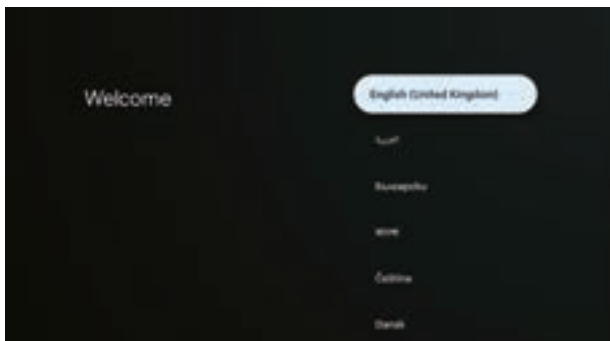
1.1 Pairing Bluetooth Remote

Press 'BACK' and 'Home' simultaneously on remote control to enter the Bluetooth pairing mode. The indicator light on remote control will flash when starting the pairing mode.



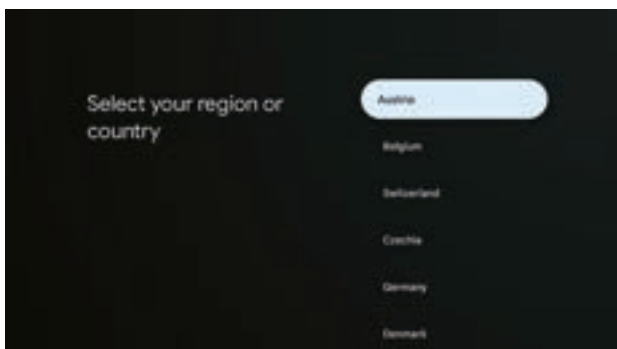
1.2 Language select

Use ^/v buttons to select system languages, then press 【OK】 to confirm.



1.3 Select your region or country

Use ^/v buttons to select your region or country, then press 【OK】 to confirm.



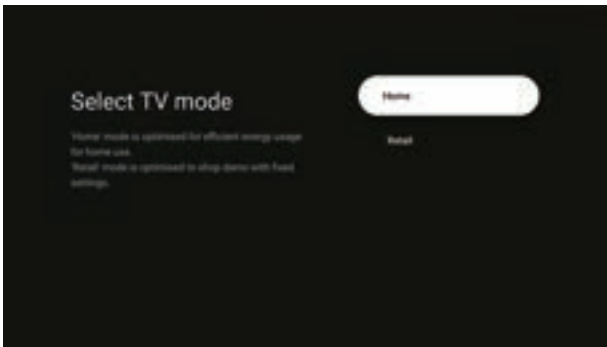
1.4 Set up Google TV™

1. Use your smart phone to download and open the Google Home app.
 2. Use the Google Home app to scan the QR code on the TV device.
 3. Follow the instructions in the Google Home app.
- Note: Press "BACK" to cancel



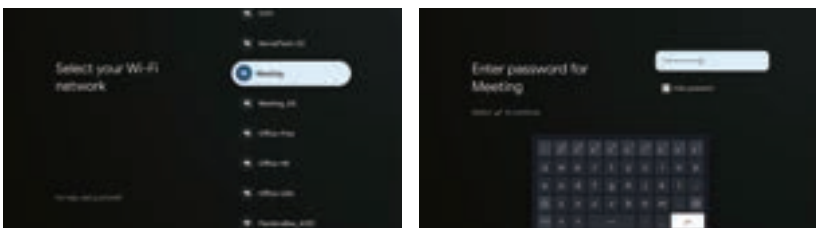
1.5 Select TV mode

Use \wedge/\vee buttons to select TV mode, then press **【OK】** to confirm.



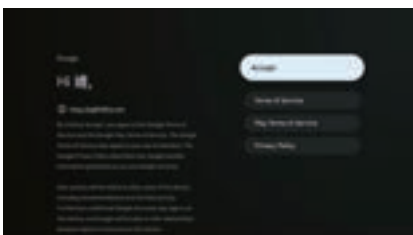
1.6 Configure the WIFI network

Press \wedge/\vee buttons to select Wi-Fi you wish to connect, enter the password, and then confirm to connect. If you select "Skip", it could be performed in homepage or settings menu.



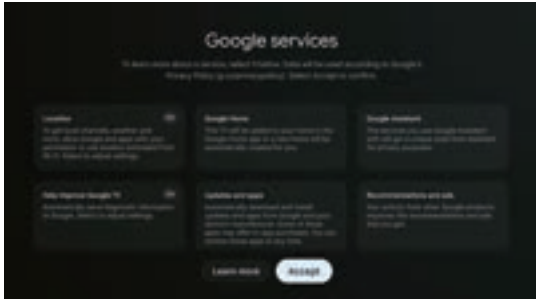
1.7 Terms of Service

By accepting the Google Terms of Service to improve the product experience, select "Accept" to proceed with this condition.



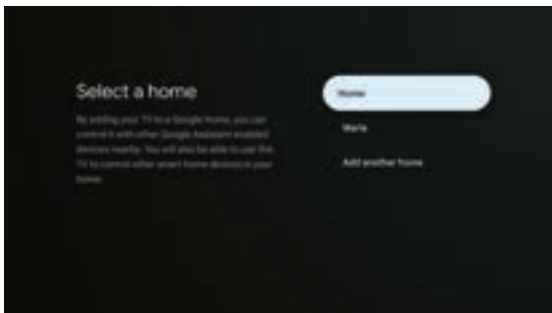
1.8 Google Services

Select “Accept” to confirm if you want your location identified on your Google TV and agree to automatically send diagnostic information to Google to help improve your experience.



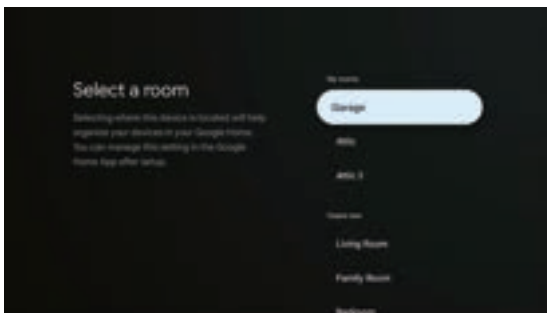
1.9 Select a home

Press \wedge/\vee buttons to select a home, then press “OK” button to next page.



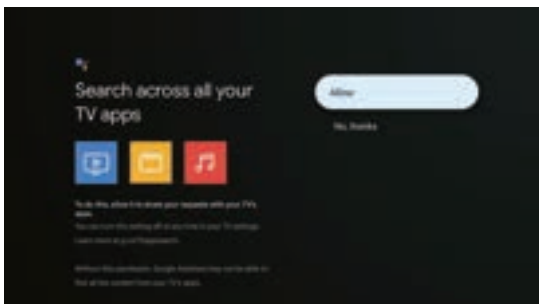
1.10 Select a room

Press \wedge/\vee buttons to select a room, then press “OK” button to next page.



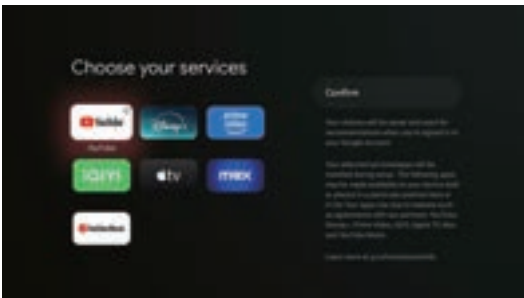
1.11 Search across all your TV apps

Press \wedge/\vee buttons to select “Allow” or “No thanks”, then press “OK” button to next page.



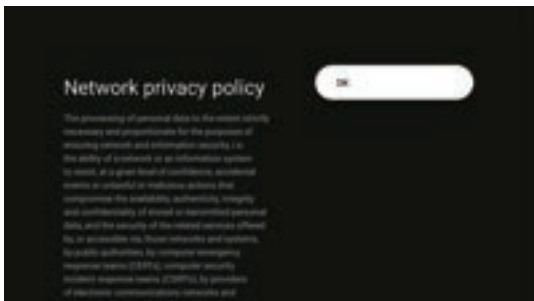
1.12 Choose your services

Press **^/v, </>** buttons to choose your apps and press “OK” button to confirm it.



1.13 Network Privacy Policy

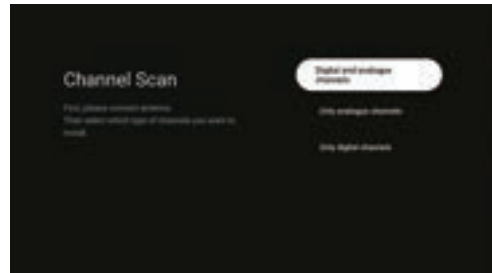
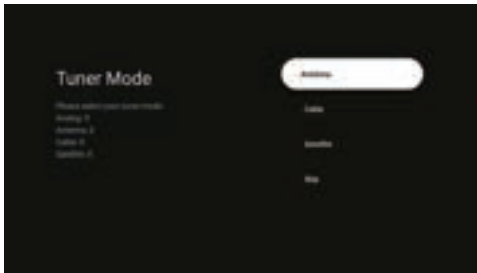
Press “OK” button to next page.



1.12 Turn Mode Setting

Select Antenna/Cable/Satellite to scan TV channel.

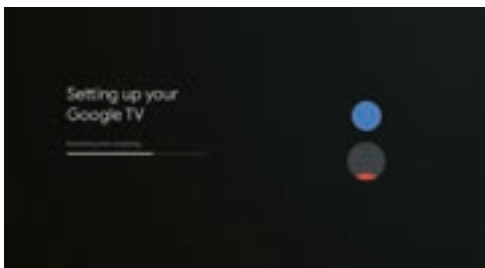
If you select “Skip”, the channel scan could be performed in menu.



1.13 Play Auto Installs

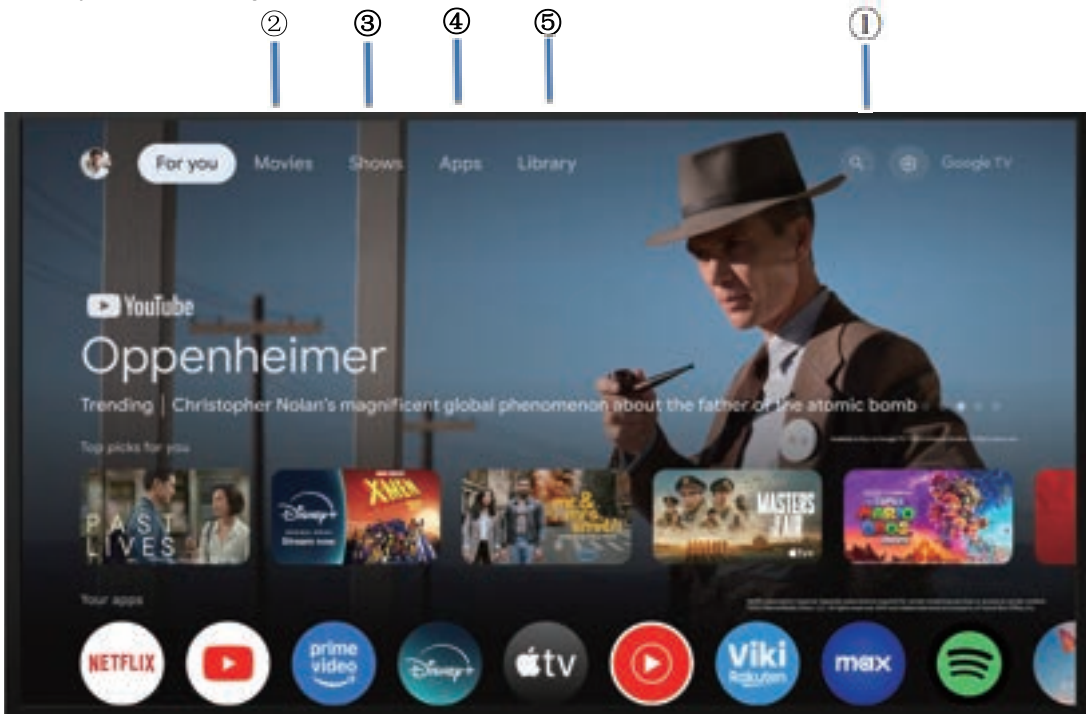
Select install or un-install the recommended apps and Google apps by using this process.

Select “Go to Google TV” to the next page.



2. HOME

Once you have completed initial setup, you will now enter the home by screen or press **Ⓚ** button to display the homepage.



① Search

Use your voice to jump to shows, control devices, and more—just ask Google.

② & ③ Movies & Shows

Watch your favorite movies and shows or discover new favorites all in one place.

④ Apps

Download and access your favorite apps to discover movies, shows, games, and more.

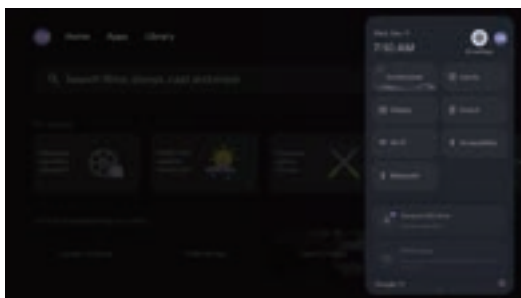
⑤ Library

Keep all your shows and movies in a single watchlist. Add from your TV, phone, or browser - no matter which app its on.

3.Settings

Allows to set various performance of your TV .

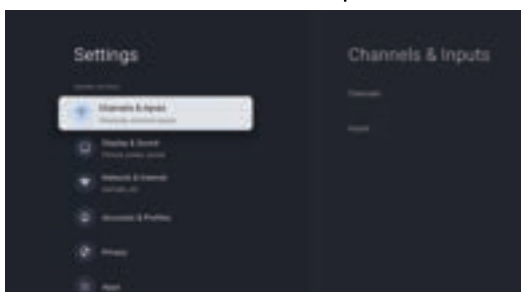
- 1.Press </> button to select “Settings” which is in the upper right corner of the screen.
- 2.Press ^/v button to select the option which you want to adjust in the Settings menu.
- 3.Press 【OK】 to enter.



Channels and inputs

Display the scan sub-menu based on different channel installation modes.

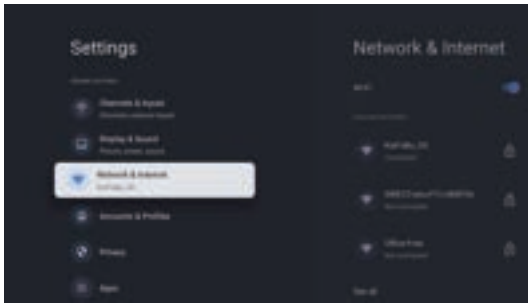
- 1.Press ^/v button to select “Channel Source” & Inputs”.
- 2.Press 【OK】 to enter “Channels”, then press ^/v choose Analog, Antenna, Cable etc to scan the channels.
- 3.Press ^/v button to select “Inputs”, press 【OK】 to enter “Inputs”, then press ^/v choose HDMI1, HDMI2, HDM3, Composite etc.



Network & Internet

Adjust all network setting and check connection if you have connection problems.

- 1.Press ^/v button to select “Network & Internet” in the settings menu.
- 2.Press ^/v button to select: Wi-Fi/Add new network/Scanning always available/Proxy settings/IP settings.



System

1. Press **^/v** button select the options of About, Date & Time, Timer, Language, Inputs, Picture, Sound, Google Assistant, Reset and others.
2. Press **【OK】** to jump to the corresponding sub-option.



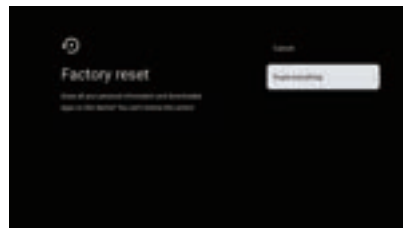
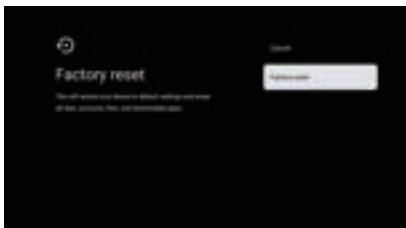
About

1. Press **^/v** button to check additional information such as System update, Device name, Restart, Status, and more.
2. Press **←** button to return to the previous menu.




Factory reset

If Factory reset is selected, it will erase all data from your device's internal storage, including: your Google Account, system and app data and settings, and downloaded apps.

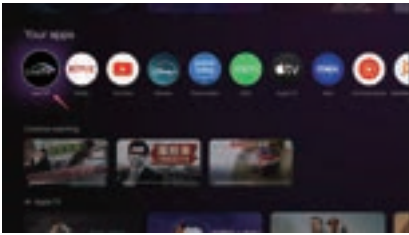


TV Source setting

To enter TV source in Homepage:

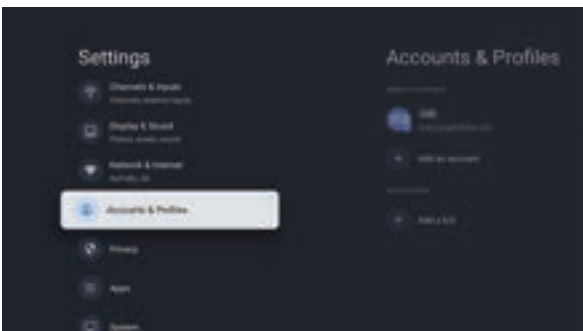
Press  button or Select "Live TV" on Homepage.

Enter "Live TV" to search for TV programs via tuner, switch source etc.



Accounts & Profiles

To have access and to download applications, you must sign in with a Google Account.



When signed into your Google Account, you will be brought to the home page. From here you can browse 400,000+ movies and TV episodes from across your streaming services — in one place, and organized by the genres and topics that interest you the most.



The above pictures are for reference only, please refer to the product for details.



FOR CUSTOMER SUPPORT
PLEASE CONTACT YOUR DEALER

OR

EMAIL NCEWARRANTY@NCE.COM.AU

Monday to Friday -AEST 8:00AM - 5:00PM