

Installation and Operation

Step 1 - Washing

1. Place tub on a level surface near drainage point.
2. Open the top cover and turn the spin basket clockwise to release and remove.
3. Clip water drainage tube to the right side.
4. Place clothes in the washing machine.
5. Plug the washing machine in.
6. Fill with warm water, via the water inlet or direct in to tub with the jug (not exceeding 40 degrees/woollen fabrics 30 degrees) to level marks.
7. Add Washing powder to water
8. Turn wash to time as desired
9. When wash ends, release the drainage tube and drain water into sink or suitable container.

Step 2- Rinsing

1. Clip drainage tube to side of the machine.
2. Re-fill tub with clean water to the same level.
3. Turn the dial to desired time
4. When the cycle has finished, release the drainage tube and drain water.
5. Repeat above process if necessary.
6. Leave drainage tube in released position.

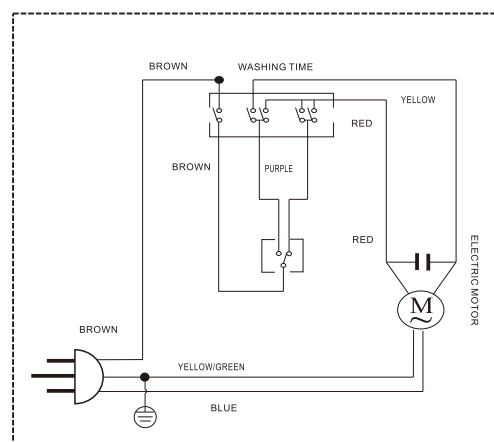
Step 3 - Spin

1. Place wet clothes into spin bucket, split load if necessary (do not overload basket, max 2kg).
2. Place the plate over the clothes and press down to secure.
3. Place spin bucket into the tub, turn anti clockwise and click into position
4. Turn the dial to spin and for your desired time

General Maintenance

- When cleaning the housing of the machine, wipe it thoroughly and wipe out dirt. When unit is very dirty, please use a neutral liquid soap to clean.
- Store in a cool, dry place.

Wiring Diagram



Caution: Before checking trouble or repairing, unplug and touch both the plug pin and the earth wire to prevent the break down by the static electricity.

Specifications

Model	PWM-S-46-BK	PWM-S-46-BU
Voltage	AC220-240V 50/60Hz	AC220-240V 50/60Hz
Outer dimension	45.0x40.5x67.5cm	45.0x40.5x67.5cm
Weight	8.5kg	8.5kg

Accessories

1. Inlet hose
2. Spin basket
3. Owner's manual

WARNING!

ELECTRICAL ITEM, PROTECT FROM RAIN AND WATER, DO NOT IMMERSE.

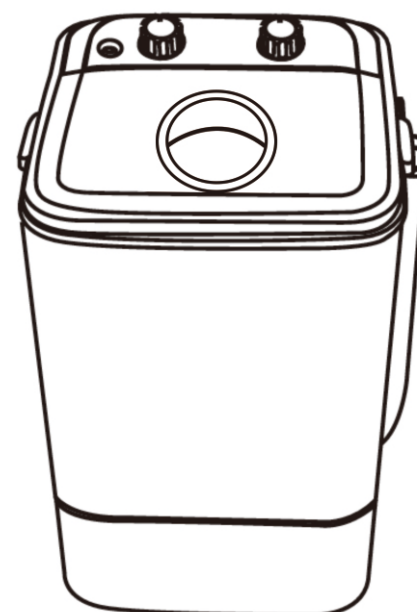
1. Water is not to enter the inner part of the machine directly, to protect the electric motor.
2. When removing the plug from the socket, ensure hands are dry.
3. To avoid plastic deformation, do not place heavy goods or hot objects on the unit.
4. Do not use excessive amounts of washing powder, this will affect washing.
5. Water must never exceed 55 degrees.
6. If supply cord is damaged it must be replaced by the manufacturer, it's service agent or similarly qualified persons in order to avoid hazard.
7. This appliance is not intended for use by persons with reduced physical, sensory or mental capabilities, unless they have been given supervision or instruction concerning use of the appliance by a person responsible for their safety.
8. Keep the machine away from direct sunlight and heating appliances.
9. If there is an excess amount of water in the tub, it will overflow.
10. Fast colour washings should be washed separately.
11. For washing woollen garments, please use a washing net bag and wash garments on their reverse side.

Trouble Shooting

Trouble	Check up
No Washing	Power failure?
	Fuse Blown?
	Whether the power cord is connected to the socket properly?
	Switch the timer?
No Drain	Is the drain hose kept down?
	Is the drain hose twisted or the threshold too high?
	Is the drain hose frozen?
	Is the clothes too much?
Washing is forceless	Is the V belt too loose?
	Is the voltage too low?

DEVANTI

washing machine



Thank you for purchasing the single tub washing machine

- Please read this instruction carefully in order to operate the machine properly
- Keep this manual handy for further reference