

LITHIUM BATTERY

12V 100Ah LiFePO4



WARNING

- Do not charge beyond 14.6VDC continuously over 24 hours, or using a charger with automatic desulfation.
- Do not short-circuit or reverse polarity.
- Do not disassemble, deform or modify battery.
- Store in a cool, dry and well-ventillated area.
- Charge battery at least every 6 months or when the voltage drops below 12.8VDC.
- Ensure battery is fully discharged before proper disposal.



RECYCLE

FEATURES

- 150Amp high discharge current, OK for powering up to 2000W inverters
- Bluetooth battery monitoring via smart phone/tablet app.
- Top-mounted battery indicator provides state of charge, warning and Bluetooth connectivity at the touch of a button.
- Lithium iron phosphate technology gives the advantage of high specific energy, long cycle life, high safety, low self-discharge and low weight (12kg).
- Twin M8 bolts provide high current transfer ideal for parallel battery setup.
- Built-in safety features including overvoltage, undervoltage, overcurrent, high/low temperature and short circuit protection.
- Fault detection/storage and firmware upgradable.
- Sleep mode to reduce residual power consumption.

BATTERY INDICATOR & BUTTON

On top of the battery case is an LED status indicator displaying battery state of charge, as well as a separate Bluetooth pairing indicator.

The adjacent test button can be pressed for 1 second to activate the battery display, or wake up battery from sleep mode. To manually engage sleep mode, press the button for 2 seconds. If an event triggers the battery's built in protection mode, this can be reset/cleared by pressing the button for 5 seconds.

BLUETOOTH MONITORING

Battery status can be monitored via smart phone or tablet and Bluetooth pairing. The app can display key battery information such as: battery voltage, cell voltage, charge and discharge/load current, temperature, state of charge, alarm information and cycle times.

Connecting procedure:

1. Search for "Projecta LB100-BT" in your smart device's app store and download it. You may also find a link to the app on the LB100-BT section of the Projecta website (www.projecta.com.au).
2. Ensure the battery is in awake mode (press the test button for 1 second if it is not).
3. Ensure Bluetooth on your smart device is switched on.
4. Open the Projecta LB100-BT Bluetooth app. The app may need you to grant it permission to access Bluetooth functionality on your smart device.
5. Tap the Bluetooth icon in the app and locate your battery in the list. Note: once paired, the battery will be saved in the app and future connection for monitoring will be faster.

SLEEP MODE

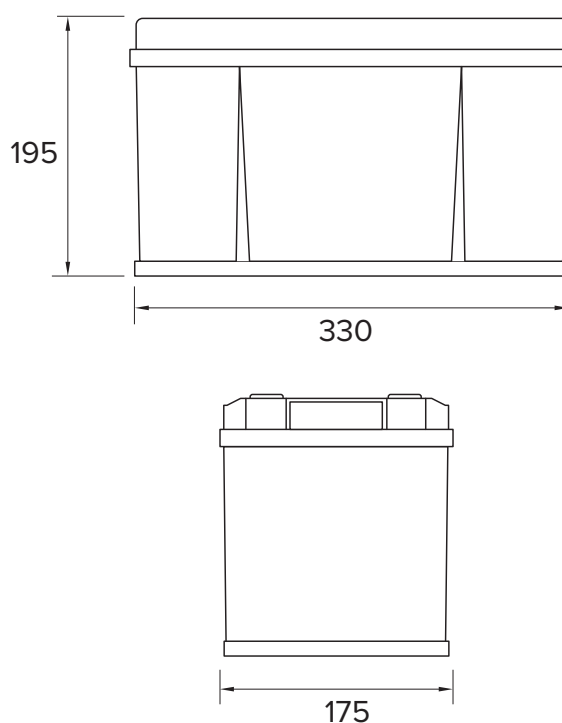
Built-in sleep mode reduces power consumption when the battery is not in use, by switching off monitoring and LEDs. The battery will automatically enter sleep mode if it detects no charge or discharge for a long time. When charge or discharge resumes, this will instantly wake up the battery again. Sleep mode can be manually activated by pressing the test button for 2 seconds and awoken manually by pressing the button again for 1 second.

CONNECTING IN SERIES OR PARALLEL

- Ensure all batteries are fully charged before connecting in series or parallel.
- LB100-BT can be connected in series up to 4 batteries to create a 48V 100Ah setup, or in parallel up to 4 batteries to create a 12V 400Ah setup, or in series and in parallel up to 8 batteries to create a 48V 400Ah setup max.
- When connecting in parallel the discharge current can be added but a discharge ratio of 0.75 needs to be applied to give you the true continuous discharge current. For example 2 x LB100-BT in parallel will be $2 \times 150\text{Amp} \times 0.75 = 225\text{Amps}$ continuous discharge current. So for a 3000Watt inverter it would be ideal to use 3 x LB100-BT giving you 338Amps continuous.

SPECIFICATIONS

PART NO.	LB100-BT
NOMINAL VOLTAGE	12.8v
NOMINAL CAPACITY	100Ah
NOMINAL ENERGY	1280Wh
CHARGE VOLTAGE	14.4V
DISCHARGE CUT-OFF VOLTAGE	10V
STANDARD CHARGE CURRENT	20Amps
CONTINUOUS CHARGE CURRENT	100Amps
MAXIMUM DISCHARGE CURRENT	150Amps
PEAK DISCHARGE CURRENT	350Amps (3sec)
OPERATING TEMPERATURE CHARGE	0°C ~ +45°C
DISCHARGE	-20°C ~ +55°C
MAXIMUM BATTERIES IN SERIES	4
MAXIMUM BATTERIES IN PARALLEL	4
NUMBER OF DISCHARGE CYCLES	2000
WEIGHT	12kg
APPROVALS	EMC, UN38.3
WARRANTY	3 Years



STORAGE & MAINTENANCE

- To ensure a longer battery lifespan, recharge fully every 3-6 months.
- Ensure battery terminals and screw holes are clean and securely connected.
- If the load connected to battery won't be used for extended periods, disconnect the battery from the load to prevent battery discharge and over-discharge.
- Insulation and shockproof materials should be used to avoid sudden collisions or crushing during transportation.

WARRANTY STATEMENT

Brown & Watson International Pty Ltd ("BWI") of 1500 Ferntree Gully Road, Knoxfield, Vic., telephone (03) 9730 6000, fax (03) 9730 6050, warrants that all products described in its current catalogue will under normal use and service be free of failures in material and workmanship for a period of three (3) years from the date of the original purchase by the customer as marked on the invoice. This warranty does not cover ordinary wear and tear, abuse, alteration of products or damage caused by the purchaser.

To make a warranty claim the consumer must deliver the product at their cost to the original place of purchase or to any other place which may be nominated by either BWI or the retailer from where the product was bought in order that the warranty assessment may be performed. The consumer must also deliver the original invoice evidencing the date and place of purchase together with an explanation in writing as to the nature of the claim.

In the event that the claim is determined to be for a minor failure of the product then BWI reserves the right to repair or replace it at its discretion. In the event that a major failure is determined the consumer will be entitled to a replacement or a refund as well as compensation for any other reasonably foreseeable loss or damage.

This warranty is in addition to any other rights or remedies that the consumer may have under State or Federal legislation.

IMPORTANT NOTE

Our goods come with guarantees that cannot be excluded under the Australian Consumer Law. You are entitled to a replacement or refund for a major failure and compensation for any other reasonably foreseeable loss or damage. You are also entitled to have the goods repaired or replaced if the goods fail to be of acceptable quality and the failure does not amount to a major failure.

Distributed by

AUSTRALIA

Brown & Watson International Pty. Ltd.

Knoxfield Victoria 3180

Phone: (03) 9730 6000

Fax: (03) 9730 6050

National Toll Free: 1800 113 443

NEW ZEALAND OFFICE

Griffiths Equipment Ltd.

19 Bell Avenue,

Mount Wellington,

Auckland 1060, New Zealand

Phone: (09) 525 4575

Fax: (09) 579 1192