



Filter and Drink, the user can get fresh, clean & healthy water.

Thanks for purchasing the Renogy Tactical Water Micro-filter. We wish it could provide you and your family a healthy and safety water in your life.

**IMPORTANT:** In order to supply a better, healthy, safety water, please read and comply with all the instructions and warnings provided in this manual before using the product.

## Tactical Water Microfilter

User Manual

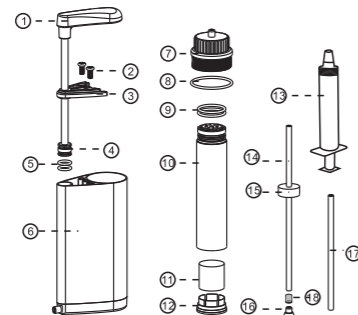
2775 E.Philadelphia St  
Ontario, CA 91761 USA

TOLL FREE: 800-330-8678  
FAX: 888-543-1164  
WWW.RENOGY.COM

### Functional Specification

**RENOGY** Tactical Water Microfilter is ideal for emergency and outdoor use, allowing the travelers and campers to have instant access to safe and clean drinking water. Through the use of the hollow fiber UF membrane, it could filter 99.9999% of colibacillus, legionella, and 99.99% of protozoan cysts (such as Giardia and Cryptosporidium). The sintered activated carbon filter could remove organic pollutants, odor, improve taste and quality.

### Product Structure



- ① Pump Handle
- ② Bolt
- ③ Retaining Cap
- ④ Piston
- ⑤ O-ring
- ⑥ Metal Sleeve
- ⑦ Filter Cap
- ⑧ Big O-ring
- ⑨ Small O-ring
- ⑩ UF Filter
- ⑪ Carbon Filter
- ⑫ Filter Base
- ⑬ Back Wash Device
- ⑭ Input Hose
- ⑮ Float
- ⑯ Prefilter
- ⑰ Output Hose
- ⑱ Sinker

### Technical Data

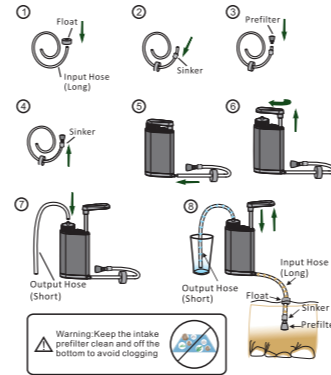
Model: RC-WF-02  
Application: lake, river, spring, etc.  
Output: 600ml/min  
Temperature: 32°F - 113°F  
Dimension: 72\*38\*148mm  
Net weight: 245g  
Capacity: 3000L / 1year (from first use)  
Material: Aluminium, PCTG (BPA free), Silica Gel, etc.

### Packaging List

Items	Qty.	Items	Qty.
microfilter	1	bag	1
float	1	O-rings	4
pre-filter&Sinker	1	manual	1
input hose	1	back wash device	1
output hose	1	carbon filter	1

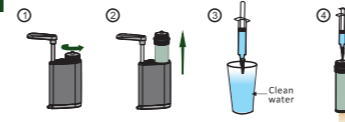
### Installation

Refer to the following steps to operate for better experience:



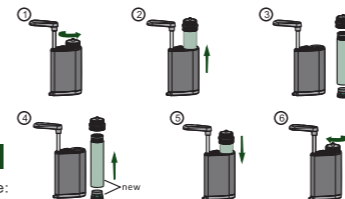
### Back Flushing

Refer to the following steps to clean the filter after use:



### Filter Replacement

UF membrane should be replaced regularly for safe water consumption. Replace after 3000L of filtration or one year after first use, whichever occurs first. Activated carbon filter depends on actual conditions decide whether replace or not. Refer to the following steps to replace the filter element:



### Long Term Storage

If the Tactical Water Microfilter is not in use for a long time, please clean the filter and keep dry. As stated below:

1. Twist off the filter cap, clean the filter by back wash device and turn it off.
2. Gently shake the filter to remove excess water inside the filter.
3. Clean the other components.
4. Make sure the filter to dry, reassemble the filter and store in a dry shaded environment for best care.

### Important Safety Information

1. Use the Tactical Water Micro-filter to filter visually clean water instead of turbid water when possible in order to extend the filter lifespan.
2. **DO NOT** use this Microfilter to filter and /or drink sea water.
3. Rinse the filter by back wash device from the cap of the filter.

4. After using, please clean and sterilize (more than 75 degree medicinal alcohol) the filter in order to extend the product lifespan.
5. **Do not** dismantle the bolts at bottom.

### Limited Warranty

The Renogy Tactical Water Microfilter provide one year warranty from the date of purchase.

- Maintenance dose not cover the following:
1. Damage resulting from failure to comply with the user manual.
  2. Artificial destruction or damage due to inappropriate storage and use.