

## READ ME !

Thank you for purchasing a Front Runner Pro Bike Carrier.

Before you start, take a moment to familiarize yourself with the Fitting Instructions and the components received.

Refer to Page 2 for a list of all the components, quantities and tools required.

## IMPORTANT WARNING!

IT IS CRITICAL THAT ALL FRONT RUNNER PRODUCTS BE PROPERLY AND SECURELY ASSEMBLED AND ATTACHED TO YOUR VEHICLE. IMPROPER ATTACHMENT COULD RESULT IN AN AUTOMOBILE ACCIDENT, AND COULD CAUSE SERIOUS BODILY INJURY OR DEATH. YOU ARE RESPONSIBLE FOR ASSEMBLING AND SECURING ALL FRONT RUNNER PRODUCTS TO YOUR VEHICLE, CHECKING THE ATTACHMENTS PRIOR TO USE, AND PERIODICALLY INSPECTING THE PRODUCTS FOR ADJUSTMENT, WEAR AND DAMAGE. THEREFORE, YOU MUST READ AND UNDERSTAND ALL OF THE INSTRUCTIONS AND PRECAUTIONS SUPPLIED WITH YOUR FRONT RUNNER PRODUCT PRIOR TO INSTALLATION OR USE. IF YOU DO NOT UNDERSTAND ALL OF THE INSTRUCTIONS AND CAUTIONS, OR IF YOU HAVE NO MECHANICAL EXPERIENCE AND ARE NOT THOROUGHLY FAMILIAR WITH THE INSTALLATION PROCEDURES, YOU SHOULD HAVE THE PRODUCT INSTALLED BY A PROFESSIONAL INSTALLER OR OTHER QUALIFIED PERSONNEL.

**NOTE:** Front Runner will not be responsible for any damage caused by the failure to install the product according to these instructions.

Please call us if you have any questions about the installation of this product.

# 1

## GET ORGANIZED

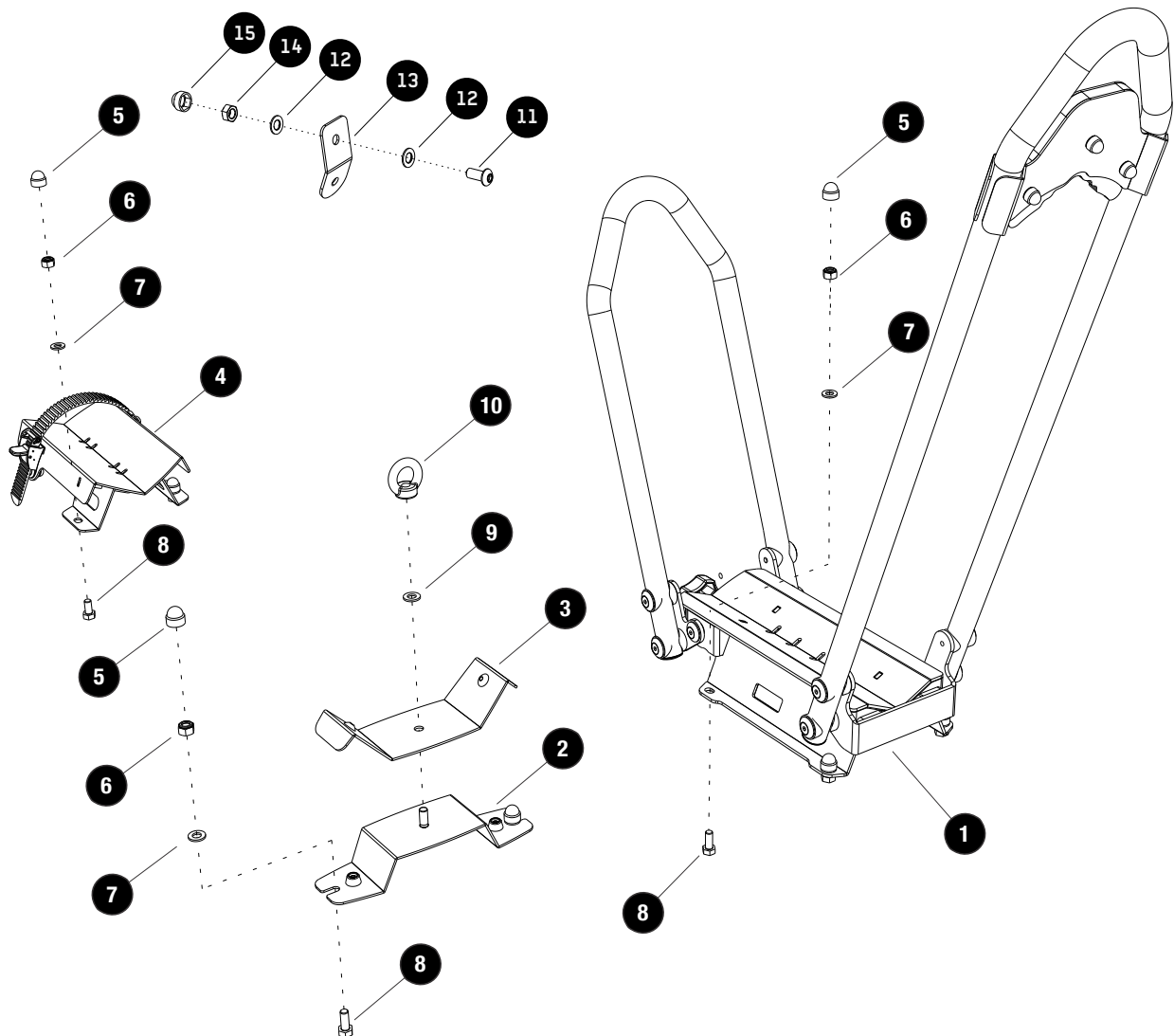
### IN THE BOX

1	1 X	Bike Carrier
2	1 X	Clamp Bottom
3	1 X	Clamp Top
4	1 X	Rear Wheel Holder
5	8 X	M8 Nut Cap
6	8 X	M8 Nyloc Nut
7	8 X	M8 x 16 x 1.6SS Flat Washer
8	8 X	M8 x 20 Hex Bolt
9	1 X	M8 Nylon Washer
10	1 X	M8 Eye Nut
11	1 X	M6 x 16 Button Head Bolt
12	2 X	M6 x 12 x 1SS Flat Washer
13	1 X	Angle Bracket
14	1 X	M6 Nyloc Nut
15	1 X	M6 Nut Cap

### TOOLS NEEDED



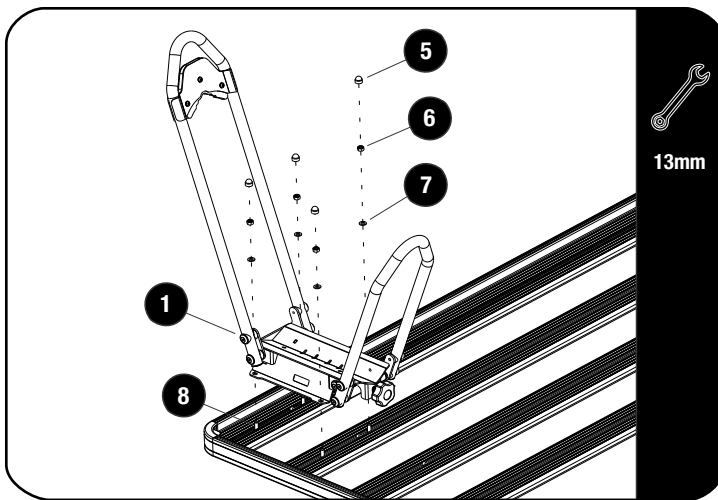
FIGURE 1.1



2

FIT AND SECURE

2.1



Before starting the fitment, remove the Clamp from the Bike Carrier (Item 1) by loosening the M8 Eye Nut (Item 10) as shown in Figure 1.1.

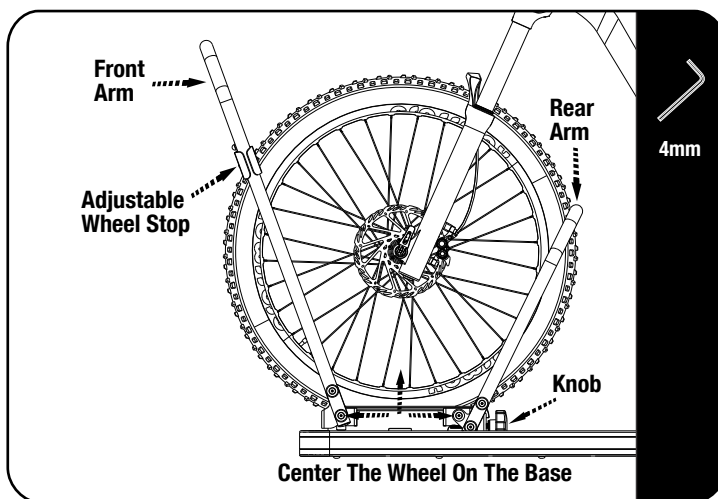
Decide where you'd like to mount your bike on the Rack.

Fit the Bike Carrier (Item 1) by sliding four M8 x 20 Hex Bolts (Item 8) into the machined slots of the chosen slats. Place the Bike Carrier over the four Hex Bolts and secure to the Rack using four M8 x 16 x 1.6SS Flat Washers and four M8 Nyloc Nut (Items 6 & 7) as shown.

**!** Note: The shorter arm on the carrier should always be at the back.

Finish off by placing M8 Nut Caps over the Nyloc Nuts.

2.2



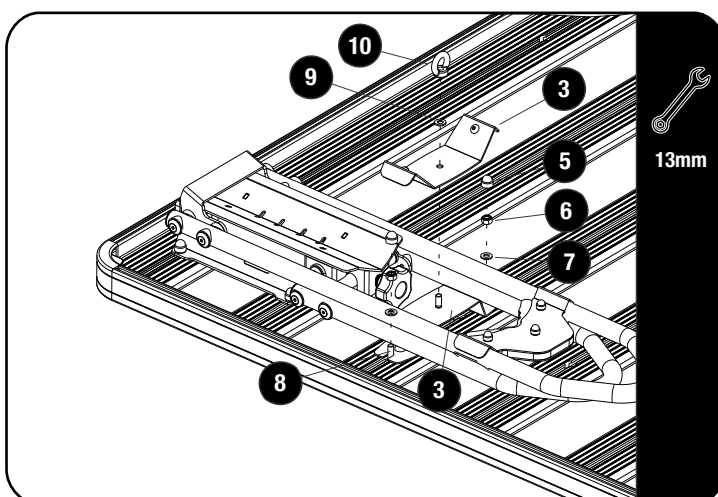
To set the carrier mount for your bike, make sure that the Front Arm is opened all the way.

Place the bikes front wheel into the Bike Carrier.

Center the wheel on the base of the Carrier and lower the Adjustable Wheel Stop against the front of the wheel. Fully tighten the three button head bolts of the Adjustable Wheel Stop.

Lift the Rear Arm up against the back of the wheel and apply slight pressure while turning the Adjusting Knob to clamp the wheel firmly in place.

2.3



Remove your bike from the Bike Carrier.

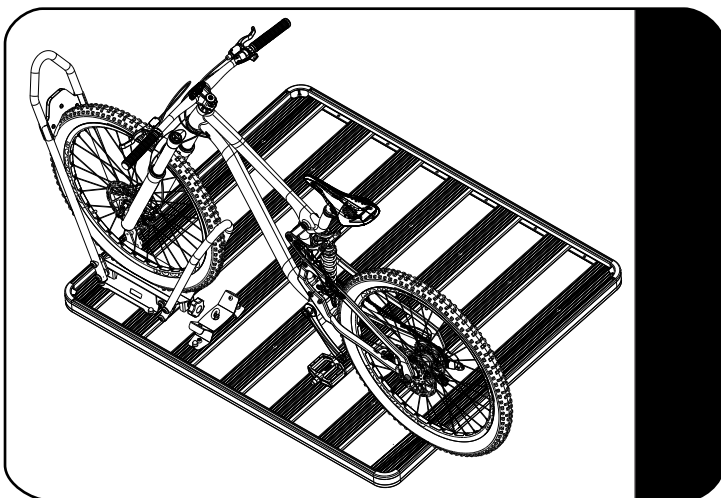
Lower the two arms. Find an open slat to secure the Bottom Clamp (Item 2). Slide two M8 x 20 Hex Bolts into the machined slots of the chosen slat. Secure the Bottom Clamp using M8 x 16 x 1SS Flat Washers and M8 Nyloc Nuts (Items 6 & 7) as shown.

Finish off by placing M8 Nut Caps on the Nyloc Nuts.

When the Bike Carrier is not in use, lower the arms and secure them using the Top Clamp (Item 3), M8 Eye Nut and M8 Nylon Washer (Items 9 & 10).

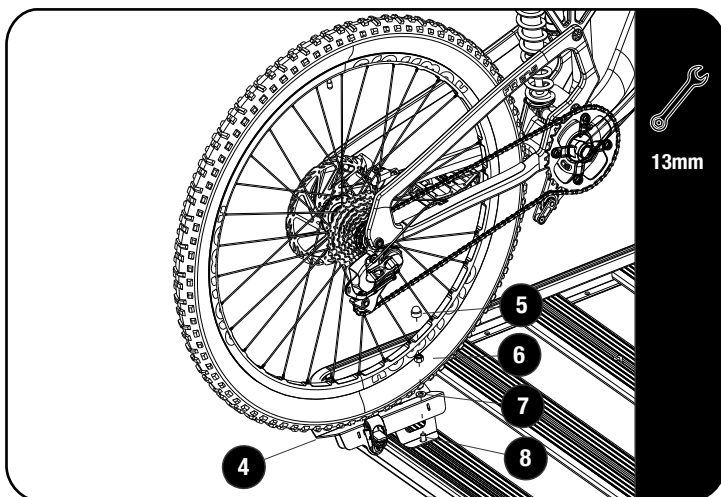
## 2 FIT AND SECURE



2.4



-  To set the Rear Wheel holder, place your bike back onto the Bike Carrier and secure the front wheel. Refer to Step 2.2.

2.5

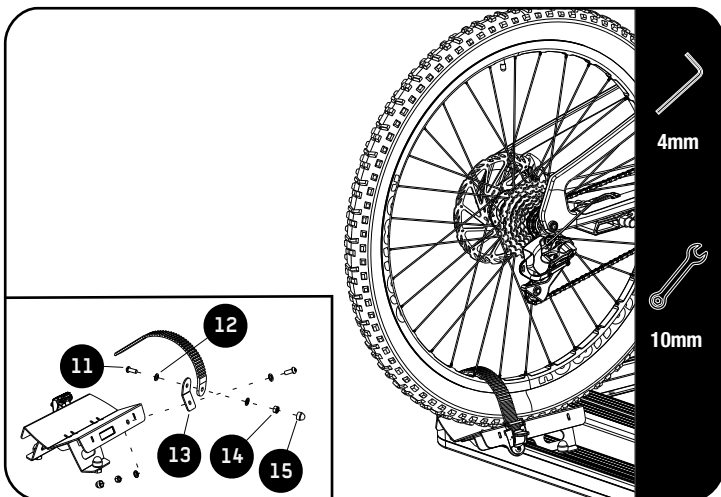




-  Mount the Rear Wheel Holder (Item 4) by sliding two M8 x 20 Hex Bolts (Item 8) into the slot closest to the center of the rear wheel.
-  The Rear Wheel Holder can be orientated backward or forward on the Rack to best suite your bike.

Secure the Rear Wheel Holder using two M8 x 16 x 1.6SS Flat Washers and two M8 Nyloc Nuts (Items 6 & 7) as shown.

Finish off by placing M8 Nut Caps over the Nyloc Nuts.

2.6



-  Secure the rear wheel by feeding the ratcheting strap over the rim and into the ratchet buckle.
-  If the Strap needs to be lengthened, use the Angle Bracket (Item 13).

Loosen the Strap and secure the Angle Bracket to the Rear Wheel Mount Bracket (Item 4) using the existing fasteners.

Secure the Strap to the Angle Bracket using an M6 x 16 Button Head, M6 x 12 x 1SS Flat Washers and M6 Nyloc Nut. (Items 11, 12 & 14).

Place an M6 Nut Cap (Item 15) on the M6 Nyloc Nut.

3

### FINISH

Congratulations! You did it. Take a step back and admire your work!

4

### INSTALL OTHER VEHICLE AND RACK ACCESSORIES

Now's the time to visit your favorite Front Runner Dealer in person or online.

Be sure to tag us. We love to see our gear in action! #FrontRunnerOutfitters #BornToRoam

Share your adventures on: 