



Color Box

Industry Carton

## FRESH WATER PUMP 21 SERIES

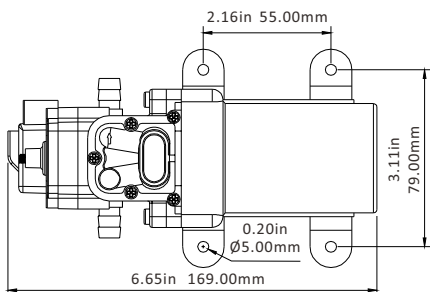
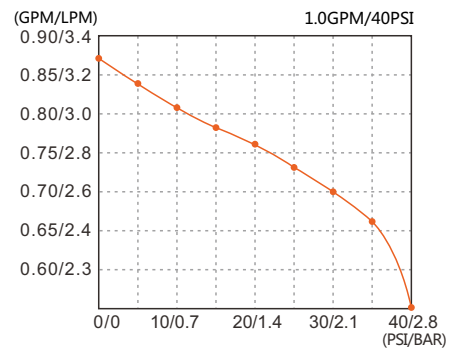
### FEATURES & BENEFITS

- Capable of supplying 1-2 fixtures
- Compact design
- On-demand pressure switch
- Adjustable pressure setting
- Can run dry
- Quiet operation
- Industry standard mounting pattern
- 18 AWG, 13" long Leads

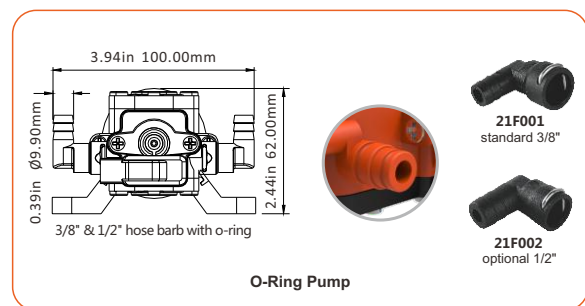
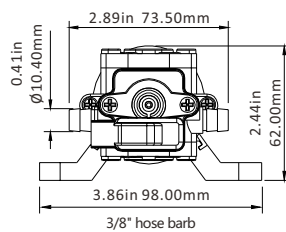
### PUMP

- Max Recommended Temperature**  
110 °F (43 °C) Max.
- Priming Capabilities**  
4 feet (1.2 m) suction lift
- Inlet/Outlet Ports**  
3/8" hose barb  
(Custom O-Ring Outlets available)
- Weight**  
1.25 lbs (0.57 kg)

### PERFORMANCE



Standard Borrd Pump



O-Ring Pump

### STANDARD PUMP CONFIGURATIONS (Inquire about other configurations, or valve and diaphragm materials)

Model	Voltage	GPM/LPM	Control Type	Amps	PSI/BAR	Valves	Diaphragm	Ports
SFDP1-010-040-21	12 V	1.0/3.8	Switch	4.0 MAX	40/2.8	EPDM	Santoprene	3/8" Barb (or Custom O-Ring)
SFDP2-010-040-21	24 V	1.0/3.8	Switch	2.0 MAX	40/2.8	EPDM	Santoprene	3/8" Barb (or Custom O-Ring)
SFDP1-011-070-21	12V	1.1/4.0	Switch	4.0 MAX	70/4.8	EPDM	Santoprene	3/8" Barb (or Custom O-Ring)
SFDP1-012-035-21	12 V	1.2/4.3	Switch	4.0 MAX	35/2.4	EPDM	Santoprene	3/8" Barb (or Custom O-Ring)
SFDP2-012-035-21	24V	1.2/4.3	Switch	2.0 MAX	35/2.4	EPDM	Santoprene	3/8" Barb (or Custom O-Ring)