



**FRONT RUNNER**

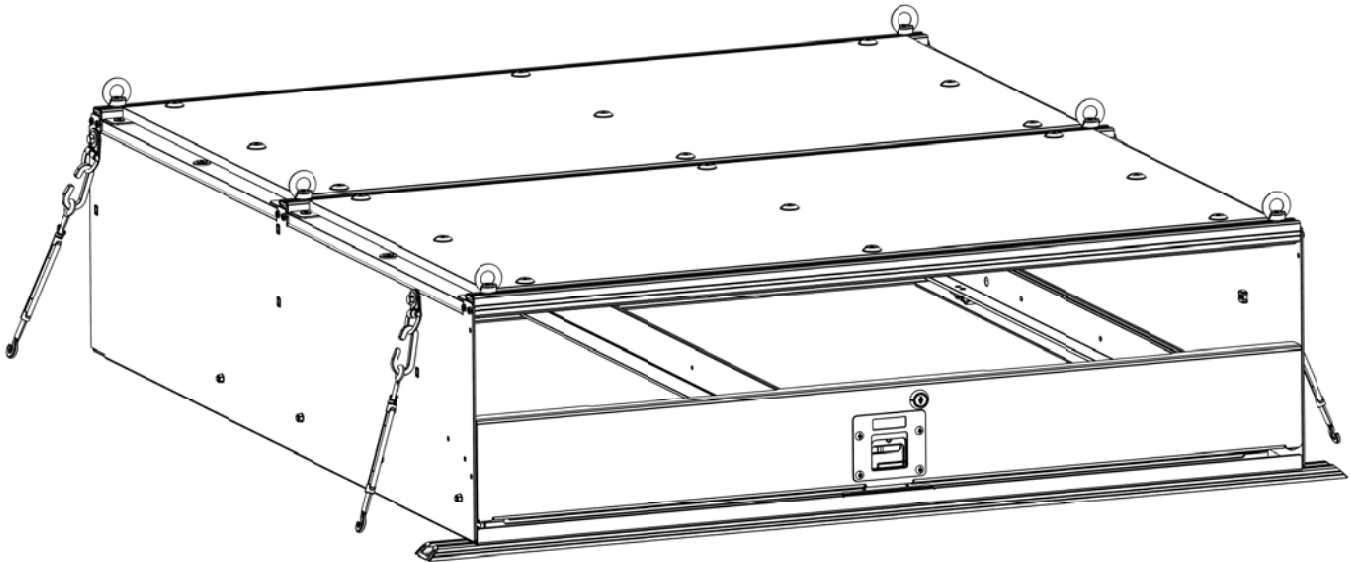
**DRAWER 6 BOX LARGE MKII**

**ENG**

SSW0008



**INSTALL TIME: 30 Mins**



**If you have purchased a vehicle specific Deck Set to go with your Drawer System, disregard this Fitting Instruction and refer to your vehicle specific Instruction received with your Deck Set.**

**If you have not purchased a vehicle specific Deck Set, you may require additional fasteners and tools in order to create four suitable mounting points on the vehicle to secure the Drawer System to. It is suggested that you read through the Fitting Instructions, place Drawer System in the desired position on the vehicle and work out how best to secure the Drawer System via the Turn Buckles and C-hooks supplied should the vehicle not have suitable mounting points.**

### **IMPORTANT WARNING!**

**IT IS CRITICAL THAT ALL FRONT RUNNER PRODUCTS BE PROPERLY AND SECURELY ASSEMBLED AND ATTACHED TO YOUR VEHICLE. IMPROPER ATTACHMENT COULD RESULT IN AN AUTOMOBILE ACCIDENT, AND COULD CAUSE SERIOUS BODILY INJURY OR DEATH TO YOU OR TO OTHERS. YOU ARE RESPONSIBLE FOR ASSEMBLING AND SECURING ALL FRONT RUNNER PRODUCTS TO YOUR VEHICLE, CHECKING THE ATTACHMENTS PRIOR TO USE, AND PERIODICALLY INSPECTING THE PRODUCTS FOR ADJUSTMENT, WEAR, AND DAMAGE. THEREFORE, YOU MUST READ AND UNDERSTAND ALL OF THE INSTRUCTIONS AND CAUTIONS SUPPLIED WITH YOUR FRONT RUNNER PRODUCT PRIOR TO INSTALLATION OR USE. IF YOU DO NOT UNDERSTAND ALL OF THE INSTRUCTIONS AND CAUTIONS, OR IF YOU HAVE NO MECHANICAL EXPERIENCE AND ARE NOT THOROUGHLY FAMILIAR WITH THE INSTALLATION PROCEDURES, YOU SHOULD HAVE THE PRODUCT INSTALLED BY A PROFESSIONAL INSTALLER OR OTHER QUALIFIED PERSONNEL.**

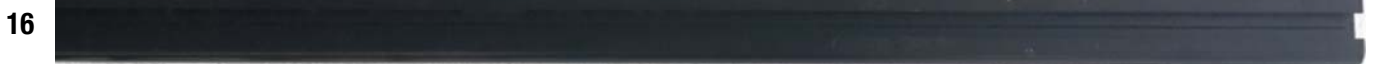
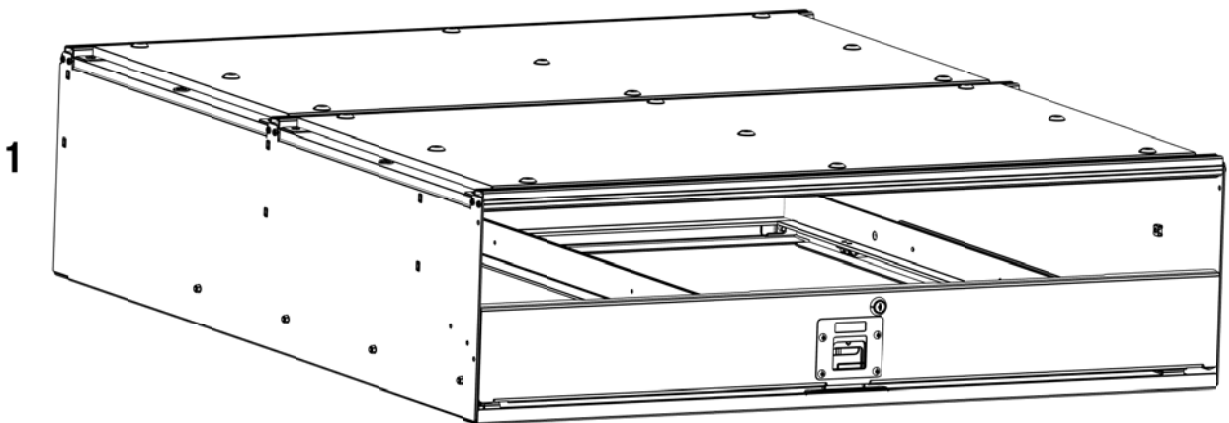
# 1 GET ORGANIZED...

Here is what you are looking at for SSW0008:

Item #	Quantity	Description
1	1	SIX BOX DRAWER
2	4	TURNBUCKLE
3	4	WING NUT
4	4	D-RING
5	4	M6 x 20 HEX BOLT
6	4	M6 SPRING WASHER
7	4	M6 x 19 FLAT WASHER
8	6	EYE NUT
9	6	STUD PLATE
10	6	NYLON WASHER
11	4	60mm C-HOOK
12	3	M8 x 16 HEX BOLT
13	3	M8 CHANNEL NUT
14	3	M8 x 25 FLAT WASHER
15	3	M8 SPRING WASHER
16	1	TRACK

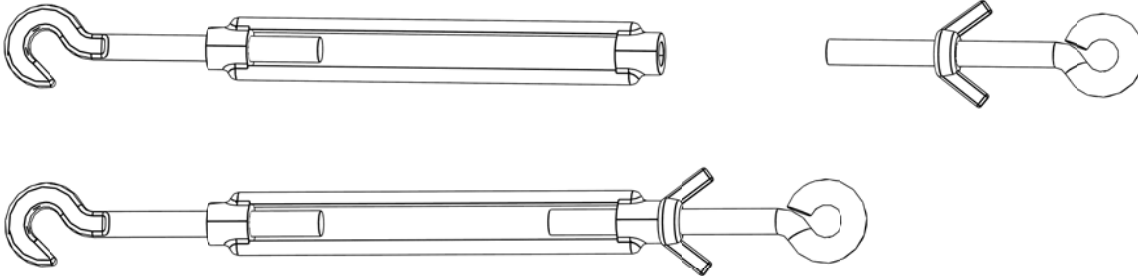
You will need:

- 10 mm Flat & Socket Wrench
- 4 mm Hex Key
- a Friend
- Additional Fasteners and Tools depending on application

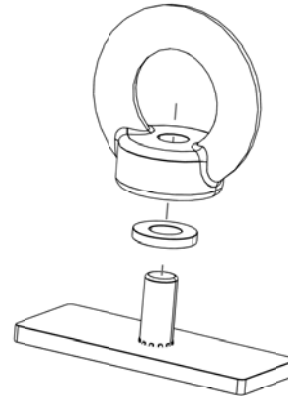


## 2 INSTALL DRAWER

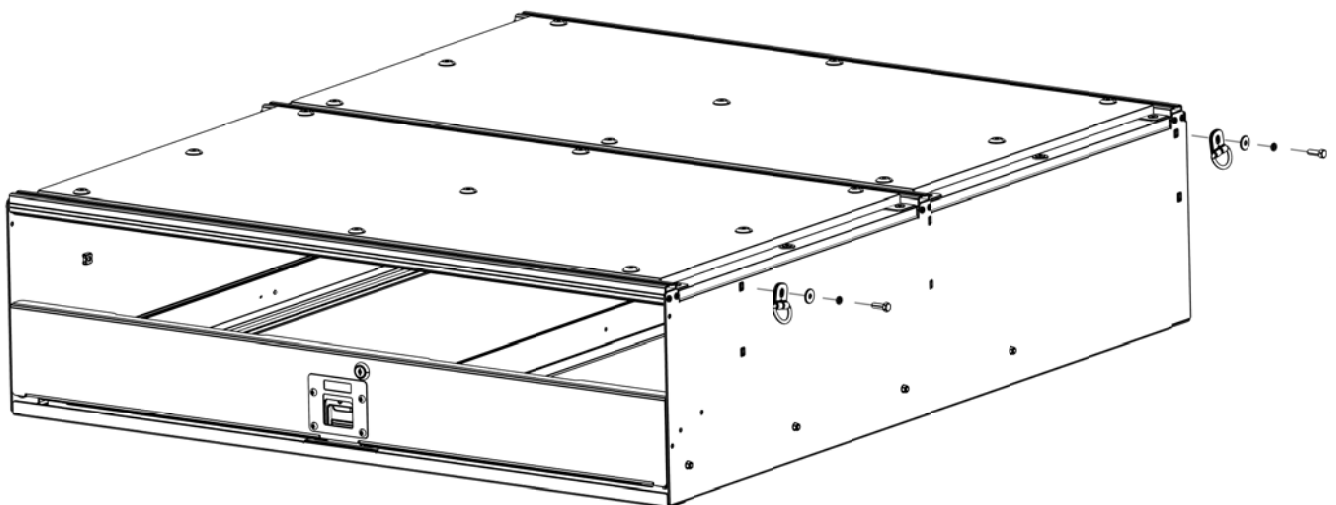
- ( A ) Loosen the round end of the four Turn Buckles (Item 2). Screw a M6 Wing Nut (Item 3) onto each round end and reassemble the Turn Buckle as shown.



- ( B ) Assemble the M6 Eye Nuts and Nylon Washers (Items 7 & 8) to the Stud Plates (Item 9) as shown.

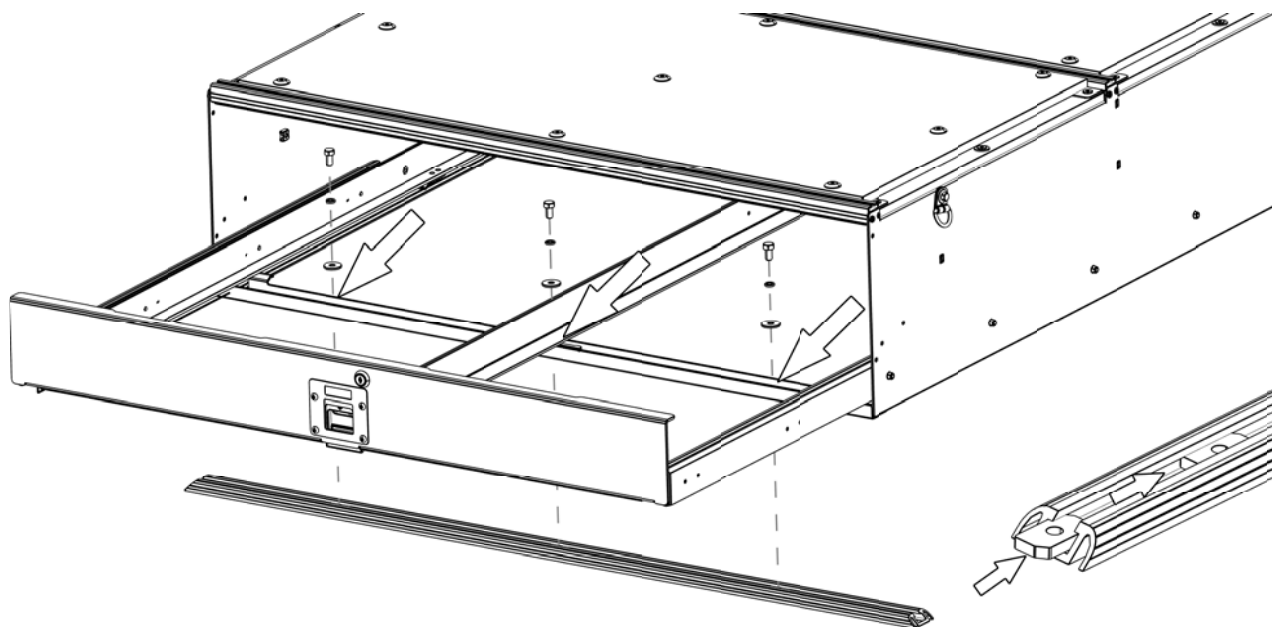


- ( C ) Assemble two D-rings (Item 4) to either side of the Drawer as shown using the M6 x 20 Hex Bolts, M6 x 19 Flat Washers and M6 Spring Washers as shown.



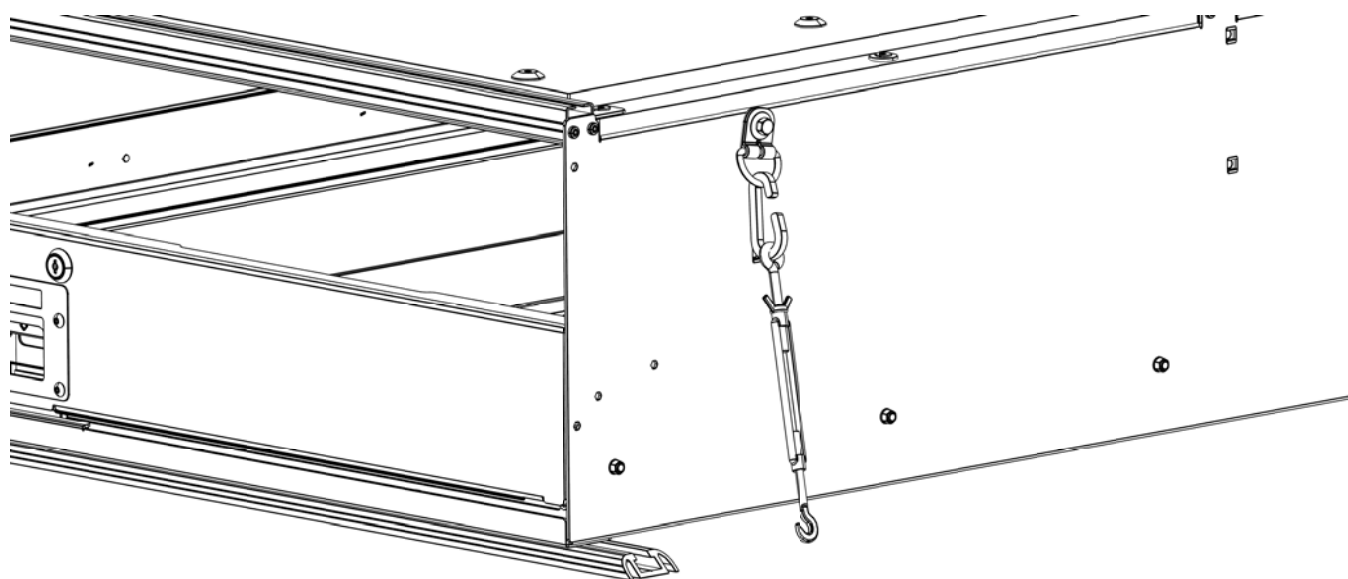
## 2 INSTALL DRAWER CONT...

- ( D ) Slide the three Channel Nuts (Item 13) into the Track (Item 16). Place the Track under the front cross strap of the Drawer System. Line the three Channel Nuts inside the Track up with the mounting holes in the cross strap (as indicated by the arrows) and loosely secure the Track in position using the three M8 x 16 Hex Bolts, three M8 x 25 Flat Washers and three M8 Springs Washers (Items 12, 14, 15). Center the Track from left to right and fasten.



- ( E ) Place the Drawer System into the vehicle and position as desired.

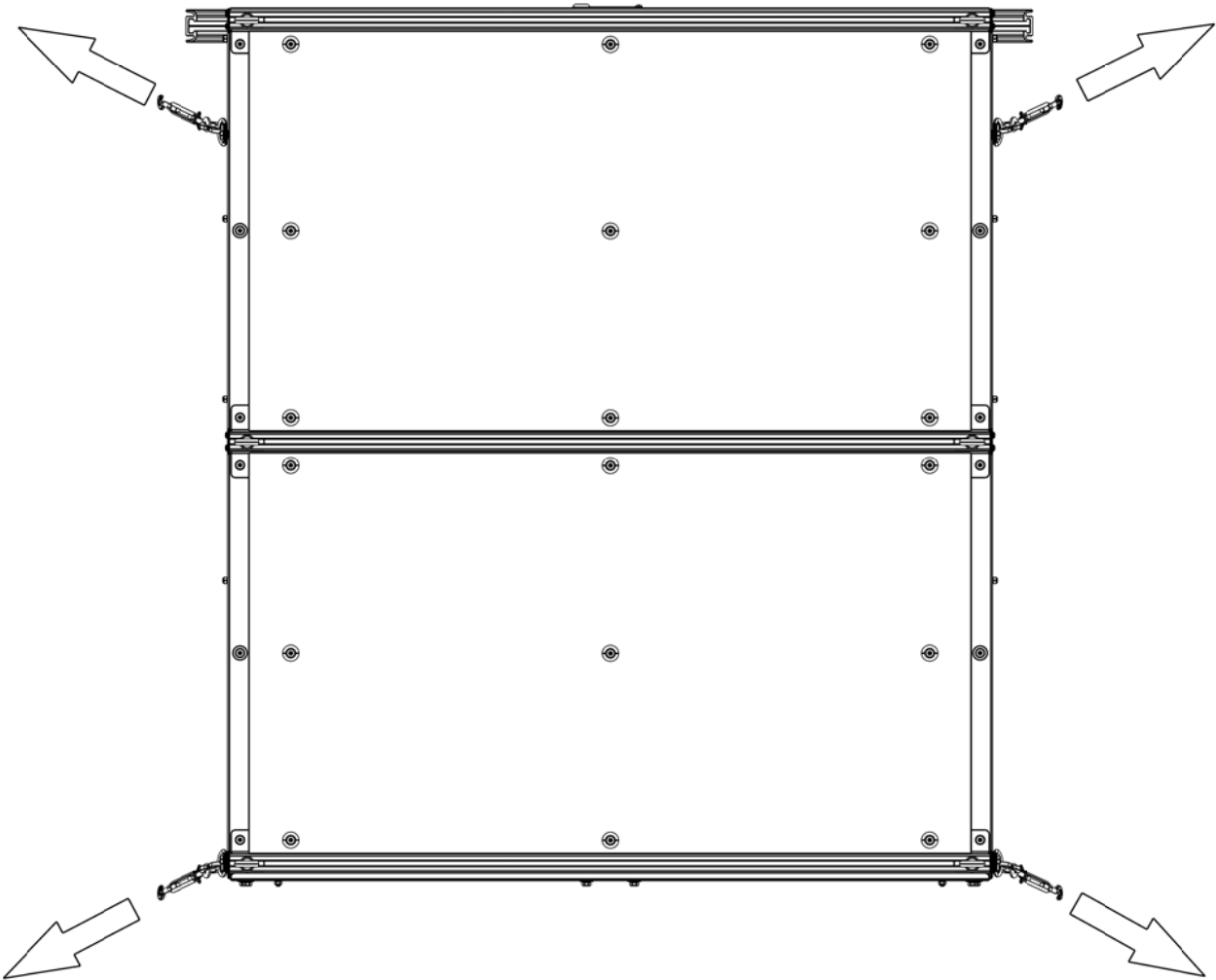
- ( F ) Connect a Turn Buckle and C-Hook (Item 11) to each of the D-rings assembled to Drawer System in Step 2C



## 2 INSTALL DRAWER CONT...

- ( G ) With the Turn Buckles and C-hooks in position, work out how best to secure the "hook end " of the Turn Buckle to the vehicle. Referring to the image below, note that the Turn Buckles must all pull away from each other in order to prevent the Drawer System from moving one secured into position.

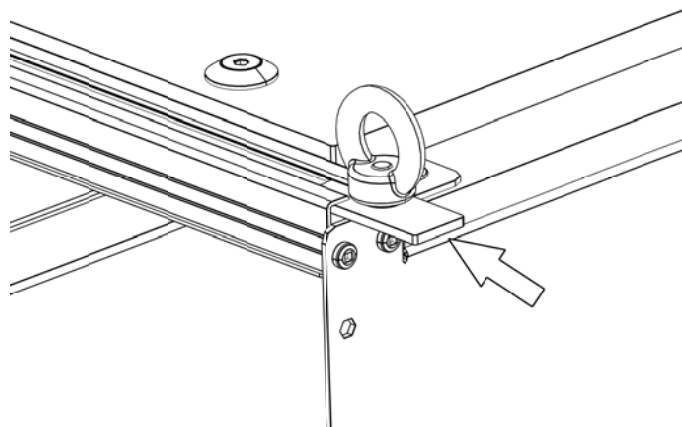
As mentioned on the front page, you may require additional fasteners and tools at this stage in order to create suitable mounting points.



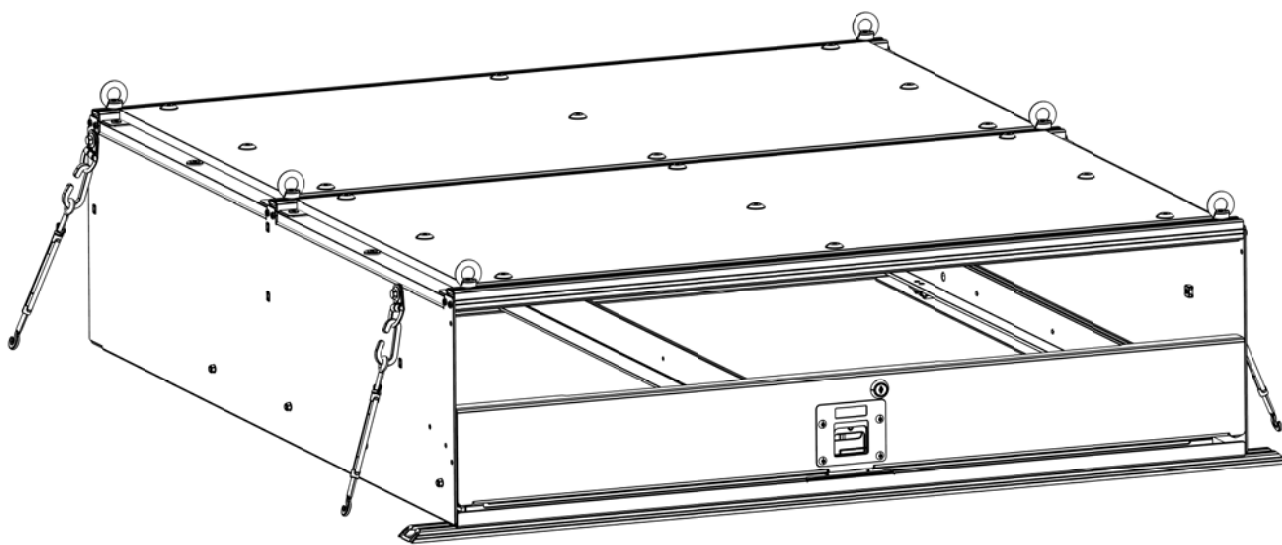
- ( H ) Once you have the four mounting points on your vehicle, secure the Drawer to the vehicle by tightening the four Turn buckles. Once the Drawer is secure in position tighten the Wing Nuts on the Turn Buckles and the Bolts securing the D-rings to the Drawer System and the vehicle's load bay.

## 2 INSTALL DRAWER

- ( I ) Should you wish to use the Eye Nut assemblies from Step 2B as tie down points, they can be slid into any of the three top extrusions as shown and tightened in the required position.



- ( J ) Congratulations, you have completed your installation. Take a step back and admire your work. Good Job!



## 3 INSTALL OTHER VEHICLE AND RACK ACCESSORIES

- ( A ) Now's the time to visit your favorite Front Runner dealer in person or online.