



Enerdrive

DRIVING YOUR ENERGY NEEDS

SWITCHED MODE DC TO DC CONVERTER INSTALLATION GUIDE

Non-Isolated

EN-DC1224-12

EN-DC2412C-20

EN-DC2412C-60

EN-DC1224-10

EN-DC2412C-30

EN-DC2460-12C

The Enerdrive range of non-Isolated DC-DC converters are great at converting from one voltage to another, giving you a stable constant voltage to run your equipment. Enerdrive recommends the use of the galvanic isolated models if using expensive or sensitive equipment.

Installation: The converter must be mounted securely in a cool, dry location. First connect the negative input and output cables only to the corresponding negative input and output terminals on the converter.

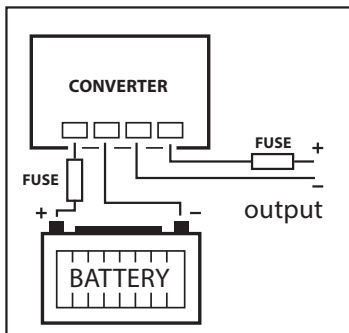
Attention: A bad negative connection could make the output voltage equal to the input voltage!

Then connect the positive input cable, via a suitably rated fuse, to the positive input terminal. At this point make sure that the converter is producing the correct output voltage.

If it is, you may safely connect the positive output cable to the positive output terminal via a suitably rated fuse. (Fuse values should be equal to the output current).

Attention: The DC currents can be very high. Always use cables of sufficient cross sectional area (mm²)!

If no input and output fuses are used then warranty is void.



ENERDRIVE DC2DC CONVERTER FUSE SIZING

Models with Galvanic Isolation	Input Fuse	Output Fuse
EN-DC1212-15G	25A	20A
EN-DC1212-25G	40A	30A
EN-DC1224-7.5G	25A	10A
EN-DC1224C-12G	40A	15A
EN-DC1224-12.5G	40A	15A
EN-DC2412-15G	10A	20A
EN-DC2412-25G	20A	30A
EN-DC2424-7.5G	10A	10A
EN-DC2424-12.5G	20A	15A
EN-DC4812-15G	10A	20A
EN-DC4812-25G	15A	30A
EN-DC4824-12.5G	15A	20A
EN-DC4848-3.2G	10A	5A
EN-DC4848-6.2G	15A	10A
Non Isolated Models	Input Fuse	Output Fuse
EN-DC1224-10	30A	15A
EN-DC2412C-20	15A	25A
EN-DC2412C-30	25A	40A
EN-DC2412C-60	50A	70A
EN-DC6012-06	3A	10A

