

N4000 series

Australian models

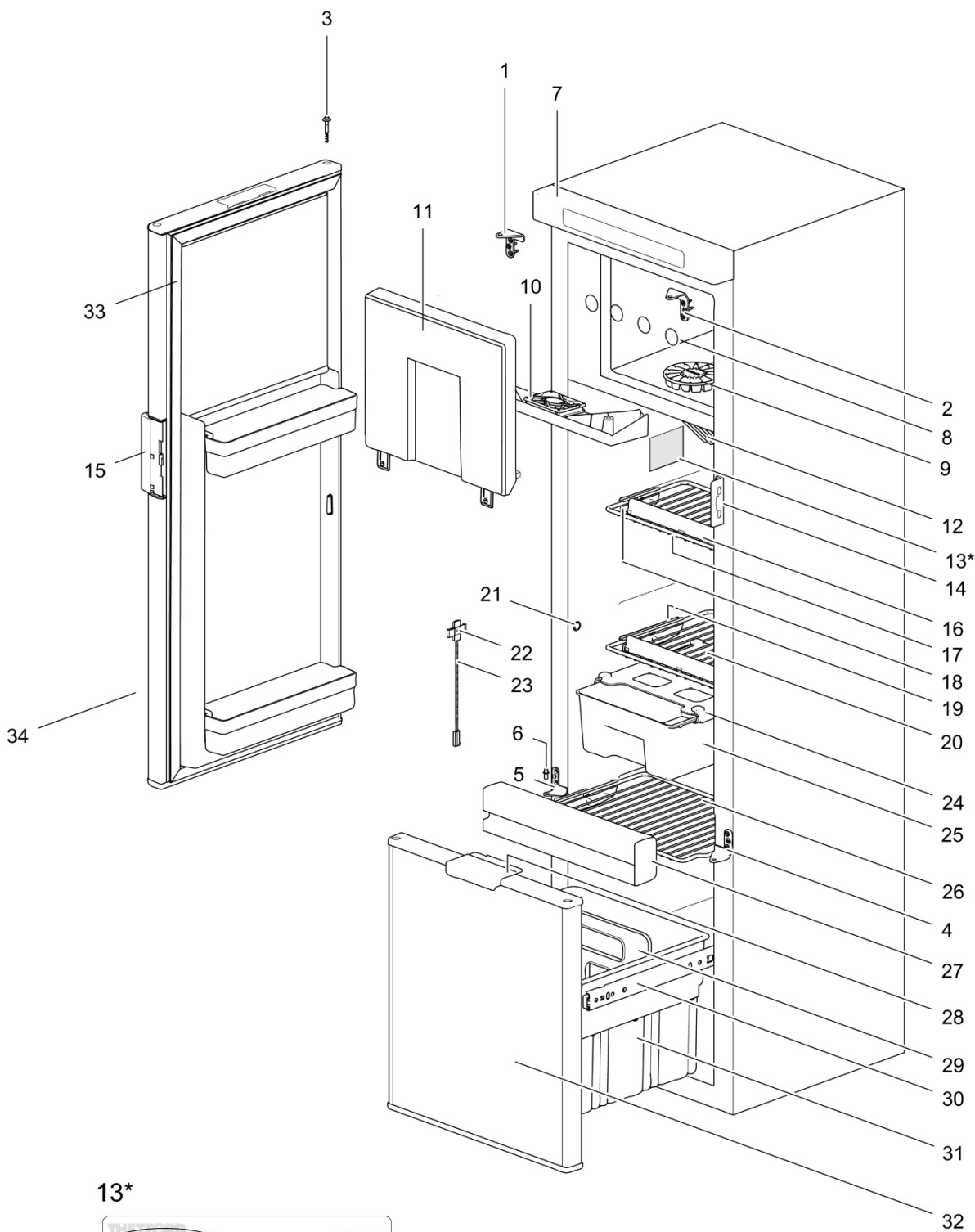
spare part list

N4141

Front	2
Controls	6
Back	10

N4175

Front	4
Controls	8
Back	12



13*

TRISTAR Model No: <u> </u> Type: E11 E4 CE Serie No: <u> </u> Climate Class: SN	
230 Volt AC, 50/60 Hz, 1.255 W - 12 VDC, J, 540 W, 20 130x112	
Gross Volume Brutto Volumen Volumen Brutto Brutto Volumen	100 L
Propan Volumen Gefrierfach Typ Volumen Comp Volumen	G30G31-38-5037 mixer IBBP G30G31-30 mixer
Netz Netze Volumen Netze Volumen	102 6013N100051
CE WBC 8N3227 Part No: 634027	
ABSORBER NH3 = 154.8 g NAJCR04 = 10.1 g p.max = 21 bar	
CFC4 HCFC, FREE / FROV, FC0W FRSI	620915 9920, Serie/Fridge, EUR

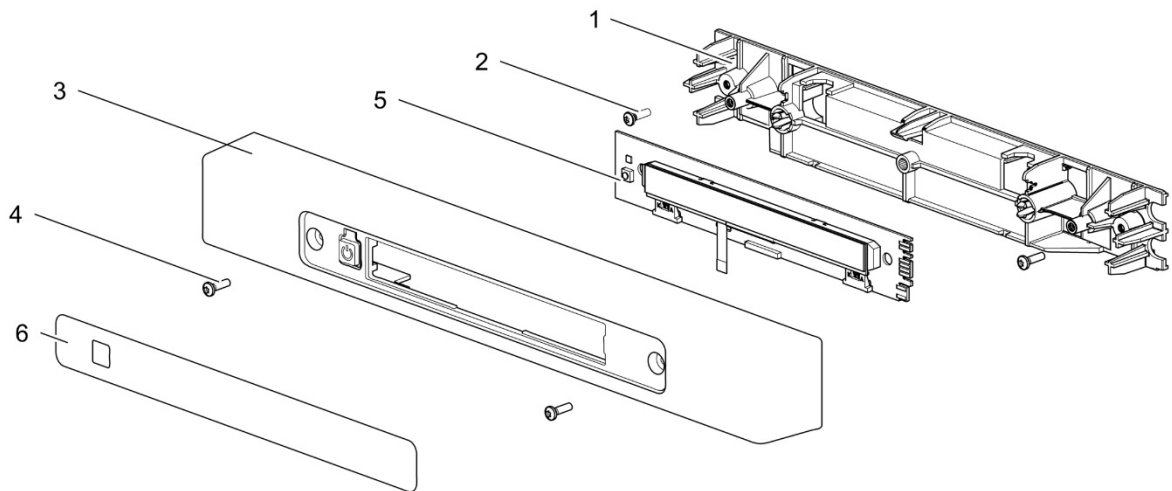
LE1375_N3141_AUS_FRONT

		Spare part number	Spare part number	Colours available
1	Hinge plate top left	691456		27
2	Hinge plate top right			
3	Hinge pin (including spring)			
4	Hinge plate bottom right			
5	Hinge plate bottom left			
6	Hinge pin bottom			
7	Control panel	<i>Refer to page 6</i>		
8	Cap freezer bolt (12x)	624479		08
9	Ice cube tray	Not available		
10	Internal fan	691729		
11	Freezer door		691112	
	Hinge freezer door (2x)	624680		08
12	Fin			
13	Identification label*			
14	Door lock plate		691113	
15	Door handle			
16	Shelf food retainer	691114		08
17	Shelf 340 x 182	691731		08
18	Clip shelf small	623626		08
19	Clip shelf large	623625		08
20	Shelf 340 x 241	691730		08
21	Cap (2x)	623622		08
22	Fin clip (3x)	623059		
23	Thermistor	623077		
24	Guiding cover	691118		08
25	Slide-out box	692253		144
26	Shelf 340 x 268	691732		08
27	Divider bar	Not available		
28	Drawer handle	691287		27
29	Drawer divider	691120		08
30	Drawer guides	691123		
31	Drawer bin	691288		08
32	Drawer door	690521		27R
33	Cabinet door	691706		27R
34	Door bin	692254		144

* With a request for information or service, always provide the serial number of the refrigerator. The serial number is the code below the barcode on the identification label.

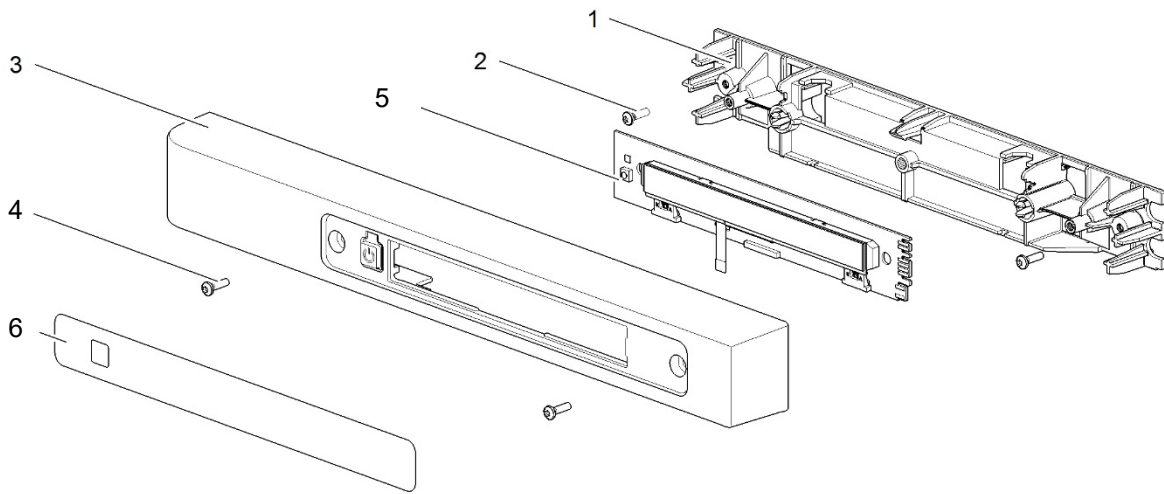
		Spare part number	Spare part number	Spare part number	Colours available
1	Storage strap (2x)	626986			
2	Latch		691739		27
3	Strike plate				
4	Pocket cover				
5	Center hinge		635011		
6	Hinge plate				
7	Hinge plate				
8	Cap (2x)	623622			08
9	Cap freezer bolt (12x)	624479			08
10	Shelf 404 x 238.5	690843			08
11	Ice cube tray				
12	Control panel	<i>refer to page 8</i>			
13	Fin				
14	Shelf rack 415 x 200	692511			144
15	Food retainer	692516			08
16	Fin clip	623059			
17	Thermistor	623077			
18	Identification label *				
19	Shelf rack 415 x 250	692512			144
21	Clip shelf rack small	692513			08
22	Clip rack safety lock				
23	Vegetable bin reversible	692524			144
24	Latch bottom	624001			27
25	Door bin	692520			144
26	Bottle retainer	692521			08
27	Door Curved Framed (black)	635032			27R
	Door Curved Frameless (Piano black)	690153			138R
28	Freezer Door Curved Framed (black)	692371			27R
	Freezer Door Curved Frameless (Piano black)	692372			138R

* With a request for information or service, always provide the serial number of the refrigerator. The serial number is the code below the barcode on the identification label.

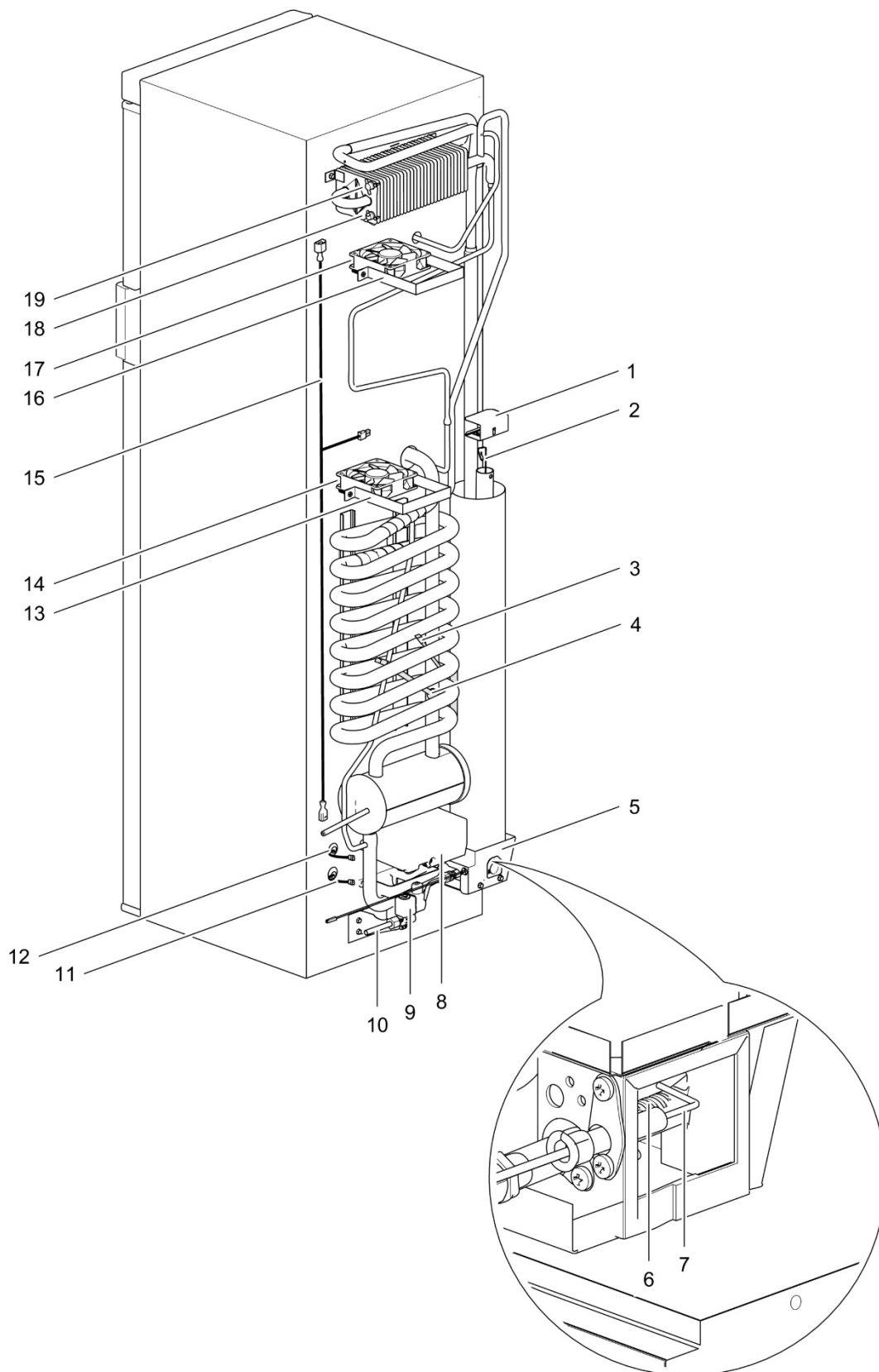


		Spare part number	Spare part number	Spare part number	Colours available
1	Technical panel flat ¹	691102			
2	Screws				
3	Housing flat ¹		691104		27
4	Screws				
5	PCB LCD DM		692245		
6	Sticker LCD	692241			

¹ Order also spare part 'Sticker LCD' (#6) with this spare part number

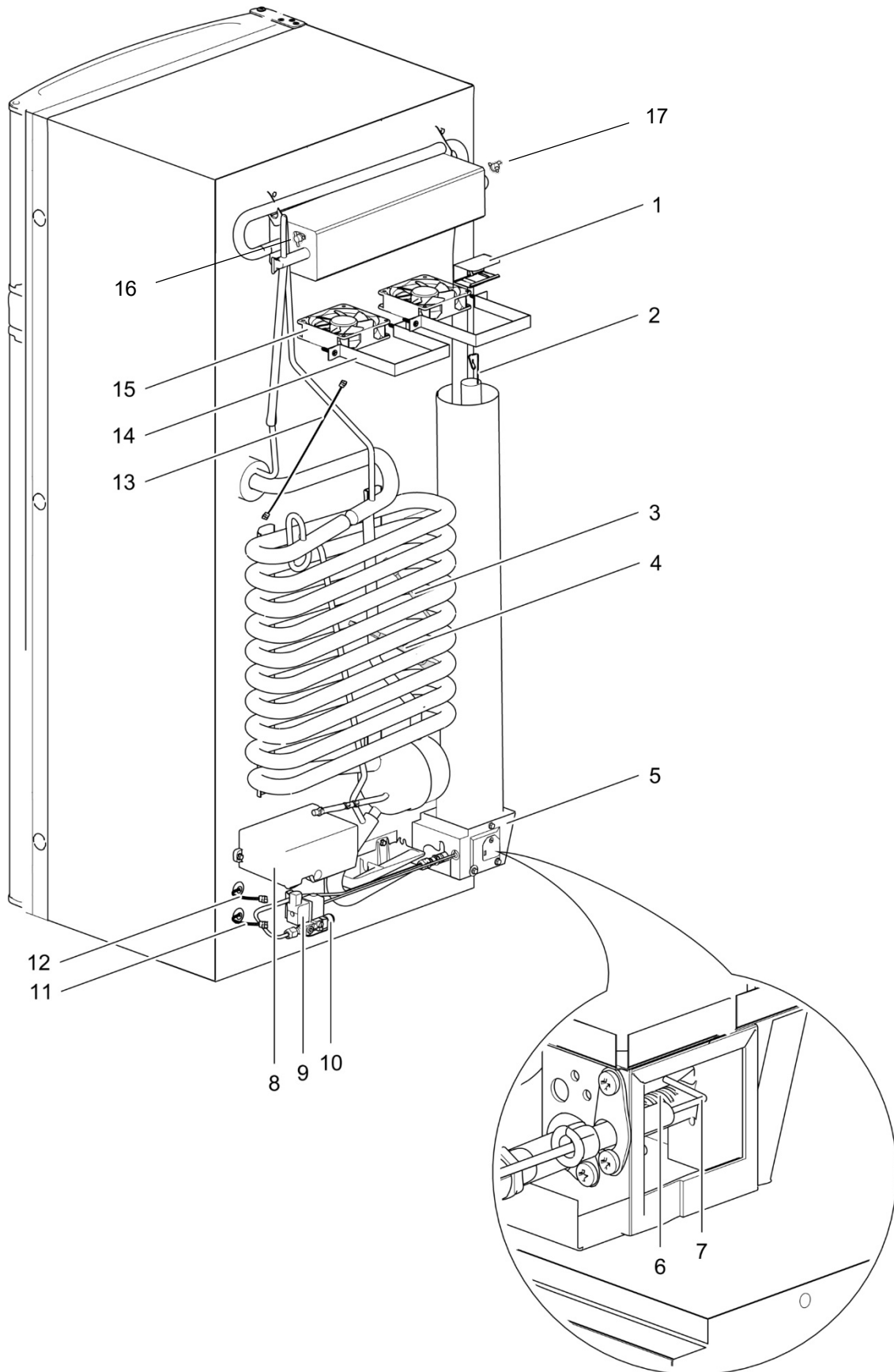


		Spare part number	Spare part number	Spare part number	Colours available
1	Technical panel flat	690806			
2	Screws				
3	Housing flat				
	Right hinged flat door 10 mm	691463			27
	Left hinged flat door 10 mm	691464			27
4	Screws				
5	PCB LCD DM		692245		
6	Sticker LCD	692241			



LE1377_N3141_AUS_BACK

		Spare part number	Spare part number	Colours available
1	Heat cap	690839		
2	Heat diffuser	692583		
3	Heater AC 240VAC/300W	691193		
4	Heater DC 12VDC/205W	691125		
5	Heater box	Not available		
6	Burner assembly	690861		
7	Spark electrode	690840		
8	Power control board	692248		
9	Gas valve	691195		
10	Gas pipe	Not available		
13	Bracket Fan	690865		
14	Fan 1x			
15	Fan extension cable	691727		
16	Bracket Fan	690865		
17	Fan 1x			
18	Thermostat dc fan	690866		
19	Thermostat dc fan 90°	691728		



		Spare part number	Spare part number	Colours available
1	Heat cap	690839		
2	Heat diffuser	690879		
3	Heater 240VAC/300W	691193		
4	Heater 12VDC/190W	691125		
5	Heater box			
6	Burner assembly	690861		
7	Spark electrode	690840		
8	Power control board	692248		
9	Gas valve	691195		
10	Gas pipe			
11	Thermistor cable		690853	
	Loose connector temperature <i>power board side</i>	690855	<i>incl. connectors</i>	
12	Communication cable		691194	
	Loose connector communication	690856	<i>incl. connectors</i>	
13	Cable Fan			
14	Bracket Fan 1x			
15	Fan 1x	690865		
16	Thermostat dc fan 90°	691728		
17	Thermostat dc fan	690866		

Colour Numbers	Description	Colour reference
07	Traffic Grey	RAL 7042
08	White	MP 1013 MP FR 85 R7
12	Blue	RAL 5012
27(R)	Black	RAL 9005
30	Mocha	NCS S 2005-Y40R
90	Anthracite Grey	RAL 7016
136	Black Grey	RAL 7021
138R	Piano Black	AM50CI EG schwarz 8325 VA 82-99139/10