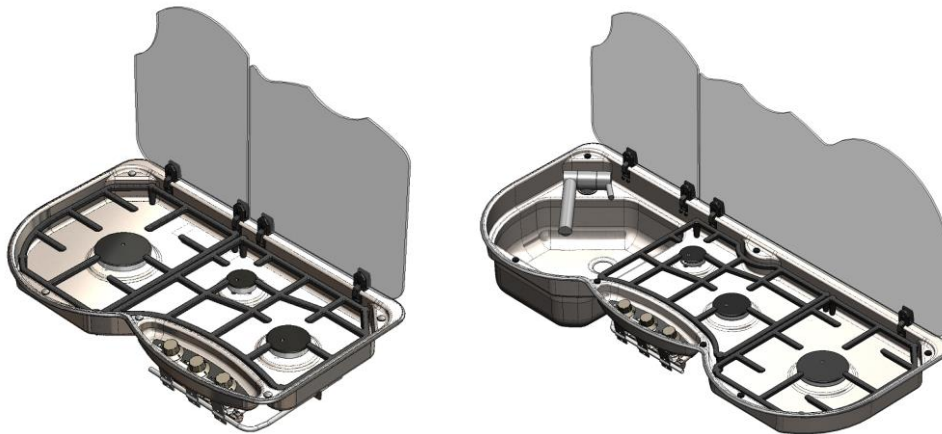


# THETFORD

## Build-In Cooking Hob

### SHB353XXZ Series Hobs SCU353XXZ Series Combination Hobs

For use with Universal LPG



#### User and installation instructions

Please read and keep for future reference

For use in Australia

Original Instructions

**THETFORD AUSTRALIA PTY LTD**  
130-132 Freight Drive Somerton VIC 3062  
TEL: 03 9358 0700 FAX: 03 9357 7060

[www.thetford-europe.com](http://www.thetford-europe.com)



## CAUTION



- Appliance and accessible parts become hot during use. Avoid touching the heating elements or pan supports.
- The use of a gas cooking appliance results in the production of heat, moisture and products of combustion in the room in which it is installed. Ensure that the kitchen is well ventilated especially when the appliance is in use. Keep natural ventilation holes open or install a mechanical ventilation device (mechanical extractor hood).
- Prolonged intensive use of the appliance may call for additional ventilation, for example opening of a window or more effective ventilation, for example increasing the level of mechanical ventilation where present.
- Do not use or store flammable materials in the appliance storage drawer or near this appliance.
- Do not spray aerosols in the vicinity of this appliance whilst it is in operation.
- Children less than 8 years of age shall be kept away from the appliance unless continuously supervised.
- Children shall not play with the appliance.
- Cleaning and user maintenance shall not be made by children without supervision.
- Unattended cooking on a hob with fat or oil can be dangerous and may result in fire. Do not leave the appliance unattended when in use.
- Never extinguish a cooking fire with water, switch off the appliance and cover the flames with a lid or fire blanket.
- Danger of Fire: Do not store any items on the cooking surface.
- The use of inappropriate hob guards can cause accidents and may affect safe combustion of the appliance.
- Do not modify this appliance or make any adjustments unless such work is carried out by authorized personnel, the manufacturer or their representative. No parts other than those supplied by the manufacturer shall be used on this appliance.



## CAUTION

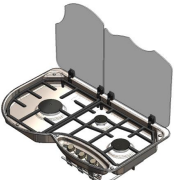











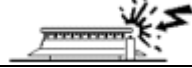
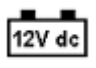




- Do not allow cooking vessels to overlap the edges of the appliance – use the correct sizes of pans and position them centrally over the burners.
- Do not use harsh abrasive cleaners or sharp metal scrapers to clean the glass since they can scratch the surface, which may result in shattering of the glass.
- Do not use steam cleaners or pressure washers to clean the appliance. Refer to cleaning and maintenance instructions.
- This appliance is for cooking purposes only. Where this appliance is installed in marine craft or in caravans, it shall not be used as a space heater.
- Do not allow oil or fat to build up on the appliance – clean the appliance after each use.



- **GLASS LID SYMBOL – Do not shut lid when burners are alight.** Printed on the underside of the glass lid.
- Always make sure the control knobs are in the off position when you have finished using the hotplate burners and before closing the glass lid.

## APPLIANCE DIMENSIONS AND SPECIFICATIONS

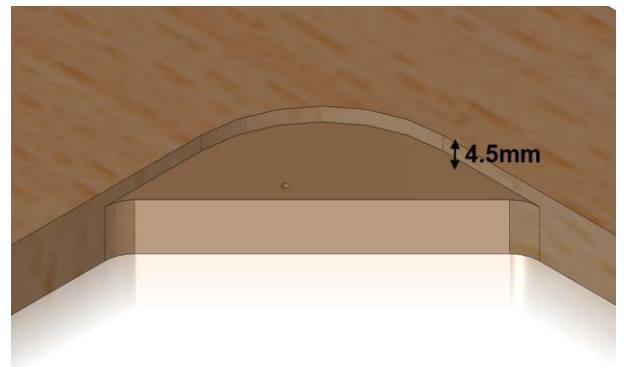
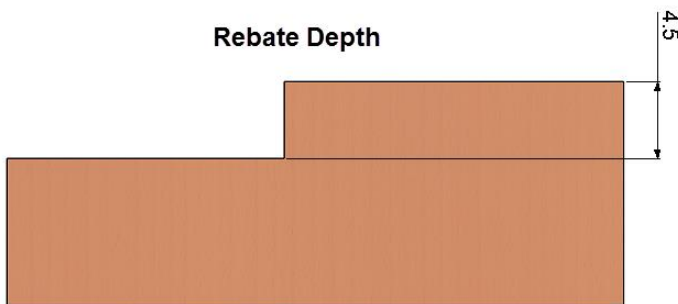
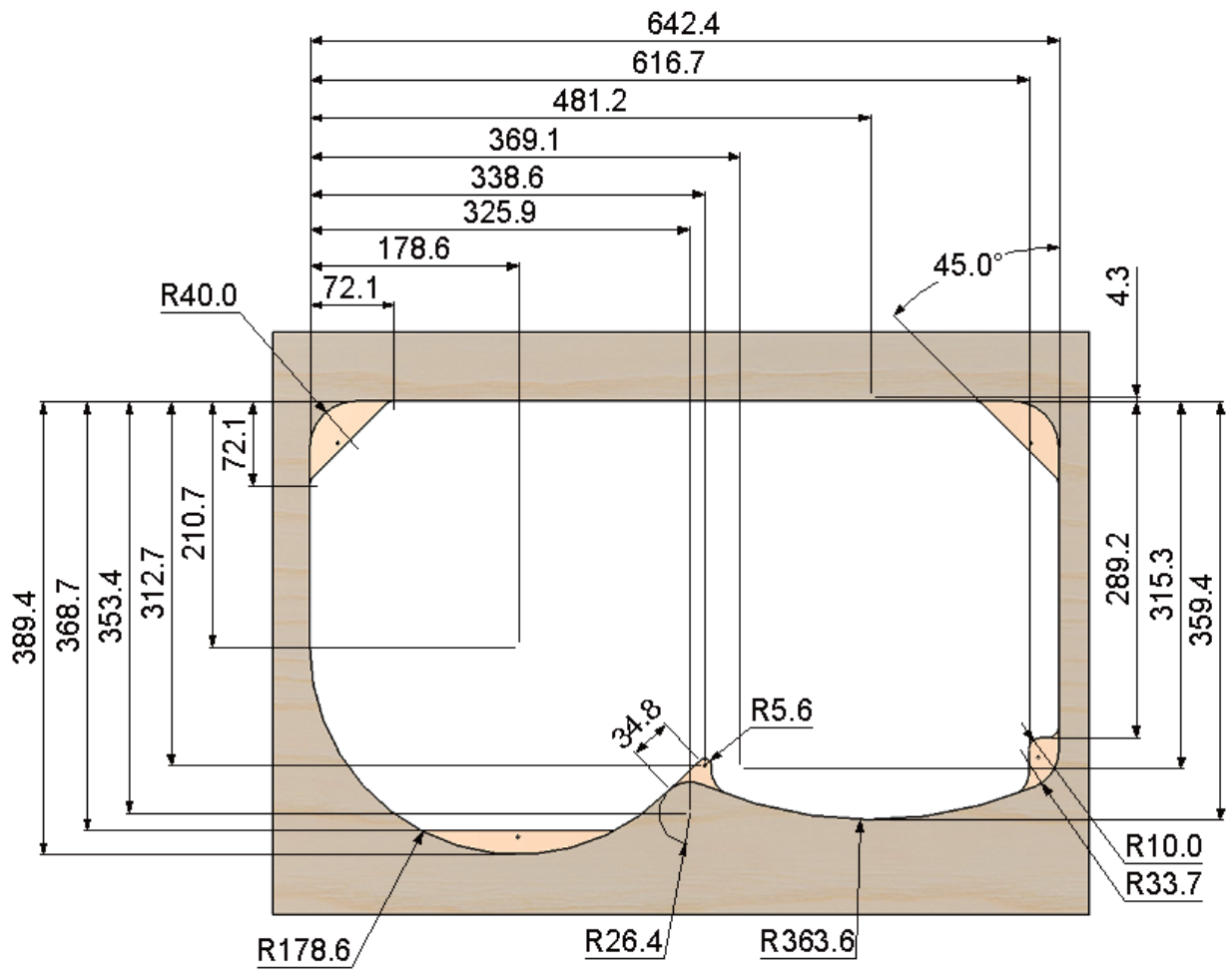
APPLIANCE	SHB353XXZ SERIES			APPLIANCE	SCU353XXXZ SERIES		
	H (mm)	W (mm)	D (mm)		H (mm)	W (mm)	D (mm)
	101	660	410		160	980	410

Gas Input & Injector Size					Gas Input & Injector Size				
SHB353XXZ SERIES					SCU353XXXZ SERIES				
	kW	MJ/hr	mm			kW	MJ/hr	mm	
	1.0	3.6	0.52			1.0	3.6	0.52	
	1.75	6.3	0.67			1.75	6.3	0.67	
	2.5	9.0	0.82		2.5	9.0	0.82		
$\Sigma Q_n$ 	5.25	18.9			$\Sigma Q_n$ 	5..25	18.9		
Spark ignition 					Spark ignition 				
Appliance Weight  kg	<b>8.5 kg</b>				Appliance Weight  kg	<b>10.7 kg</b>			

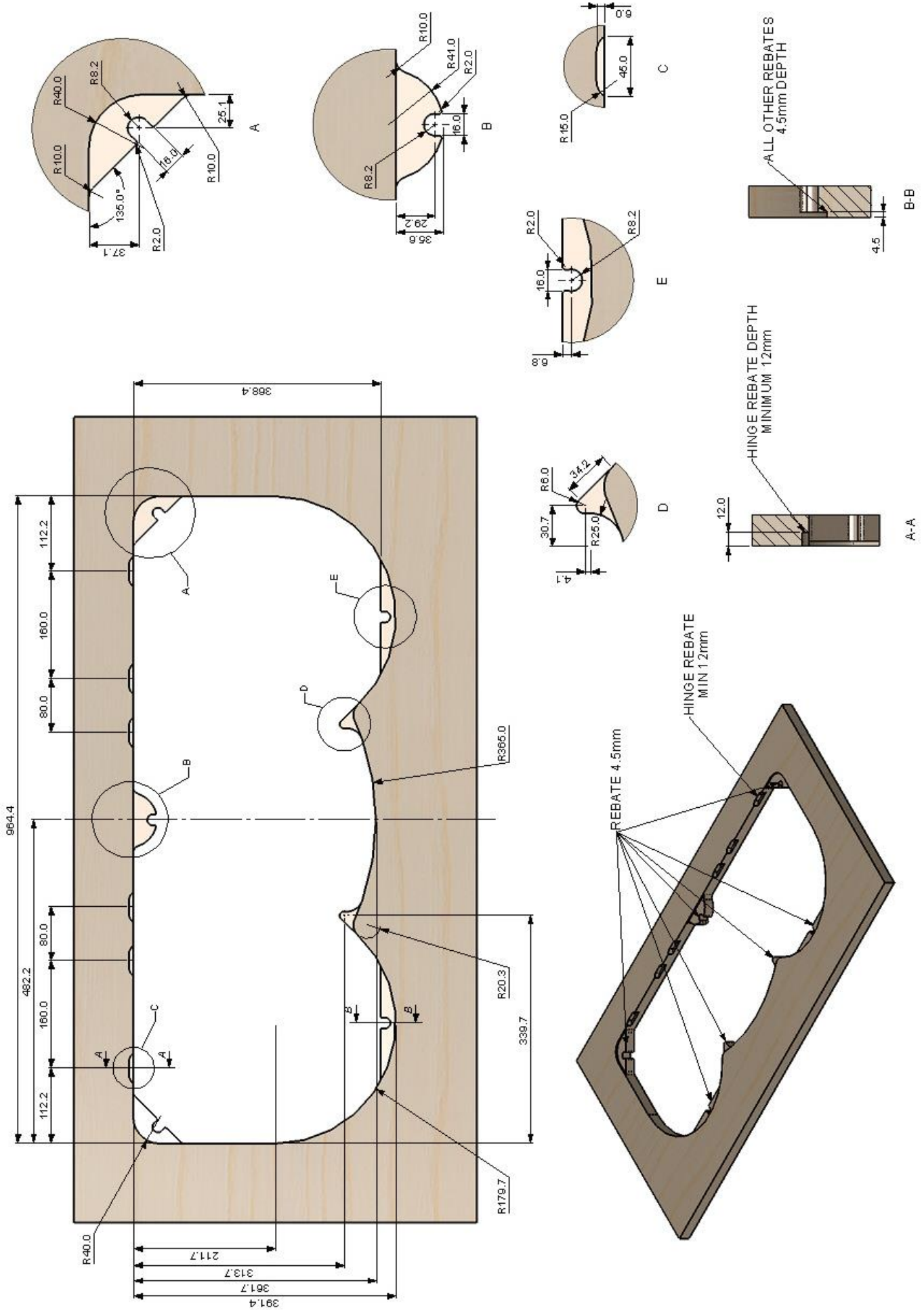
**Gas category – Universal LPG Only**

**Universal LPG 2.75 kPa / 27.5 mbar**

Fig. 1 - WORKTOP CUTOUT – SHB353XXZ Series

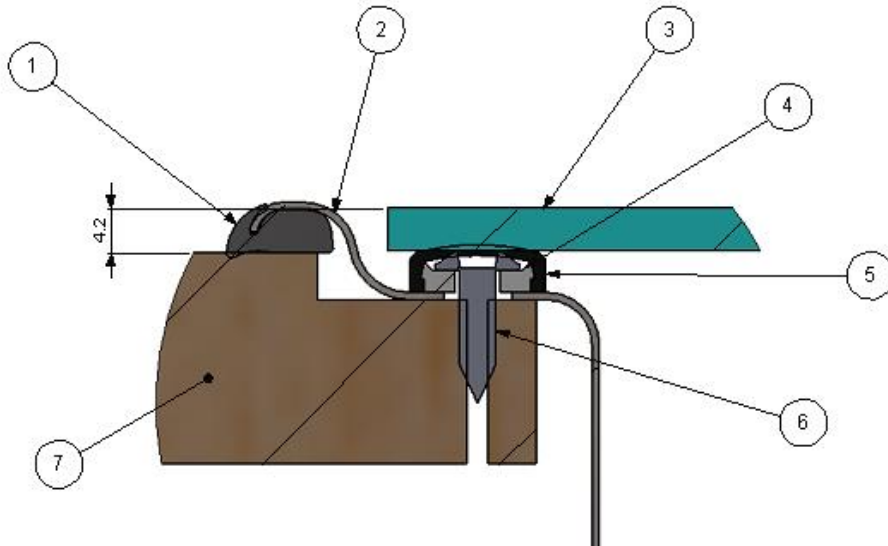


**Fig. 2 – WORKTOP CUTOUT – SCU553XXXZ Series**



**Fig. 3 - SURFACE MOUNT FIXING – SHB & SCU 353 SERIES EDGE DETAIL**

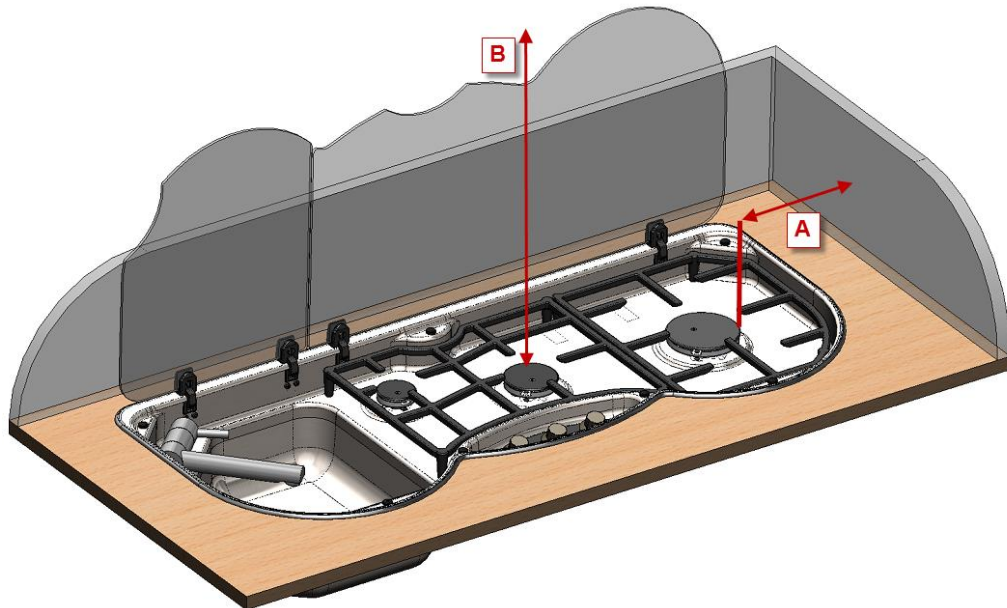
Fix the hob centrally in the cut-out to maintain a 2-3mm air gap to the worktop.



1	Surface mounting bezel	2	Pressing
3	Glass Lid	4	Screw fixing cap
5	Bump Stop	6	Wood Screw
7	Worktop		

**Fig. 4 – MINIMUM DISTANCE TO COMBUSTIBLE MATERIALS**

For SHB353 & SCU353 Series, the minimum permitted distances to combustible materials are as shown below.

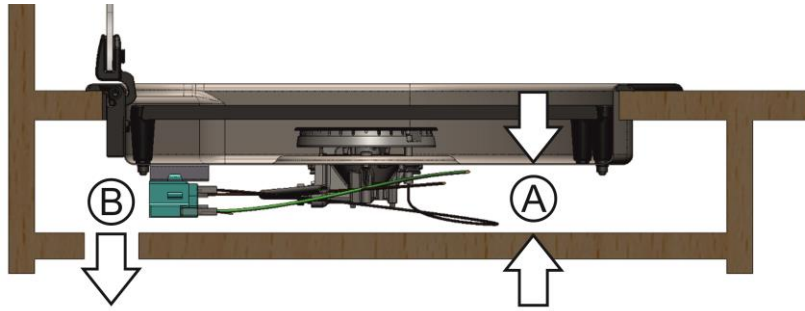


**A= 200mm minimum unless protected by a non-combustible heat barrier.  
 B = 500mm minimum from burner ports to fitment above appliance.**

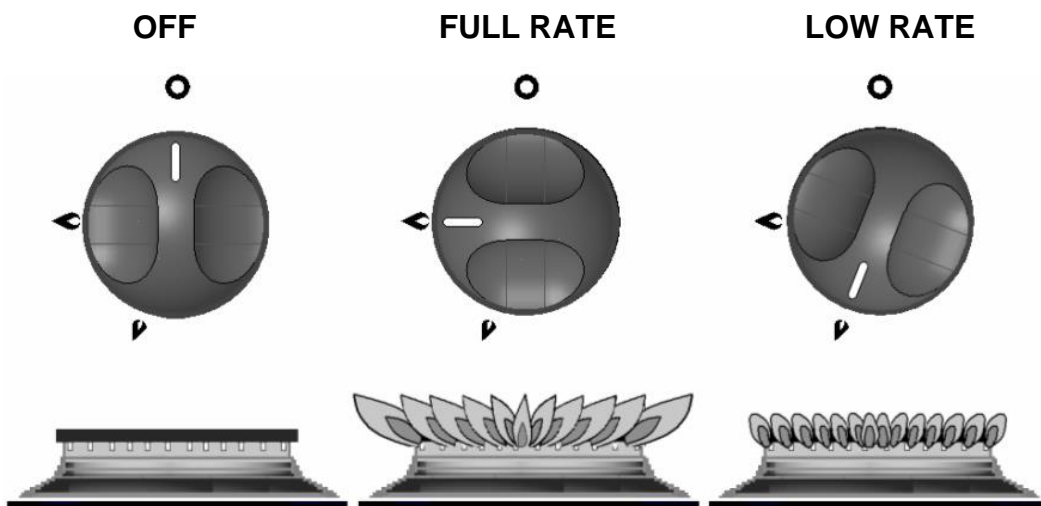
**Fig. 5 – Air Gap**

A = 58mm Air gap beneath hob pressing.

B = Air vent.

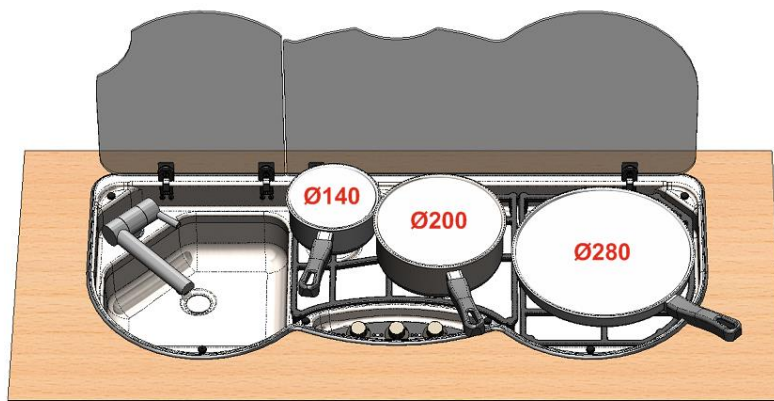


**Fig. 6 – Control Positions**



**Fig. 7 – Minimum and Maximum Pan Sizes**

- The minimum permitted pan sizes are Ø100mm for the auxiliary burner, Ø120mm for the semi-rapid burner and Ø150mm for the rapid burner.
- The maximum recommended pan sizes are as shown below.
- Avoid old or misshapen pans as these may reduce efficiency and can cause instability.
- Using larger than recommended pan sizes may reduce performance or cause damage.





## INTRODUCTION

This appliance is designed for cooking foods and any other use is incorrect and may be dangerous. Failure to install the appliance correctly or improper use will invalidate any warranty or liability claims.

This appliance must only be installed by an approved and competent person, in accordance with the local Regulations in force. Particular attention shall be given to the requirements regarding air supply and ventilation.

Thetford recommends that provision is maintained for dispersal of unburned gas beneath the appliance. Read the instructions and warnings fully before installing or using the appliance.

### **Data label.**

The data label is located on the underside of the appliance and a duplicate label is supplied to adhere to a visible accessible area next to the appliance.

### **Gas type.**

This appliance should only be used with Universal LPG (ULPG). Use only the gas type and pressure specified on the data label and in these instructions.

## **BURNER OPERATION**

The burners on the appliance have fixed aeration and no adjustment is required. The burners should normally flame as follows:

- With Universal LPG, on initial lighting, flames may have yellow tips, this increases slightly as the burners heat up.

The burners are controlled individually, and each is monitored by a thermocouple probe. If the burner flames are accidentally extinguished, turn off the burner control and do not attempt to re-ignite the burner for at least one minute.

As a safety feature, this appliance is fitted with a glass lid shut-off switch which shuts off the gas supply to the burners if the lid is closed. The lid must be opened fully before attempting to use the burners. Ensure the burners are shut off and allowed to cool before closing the lid, do not rely on the automatic shut-off switch.



Before using the appliance for the first time, remove any surface protection film, ie plastic coating. Clean all surfaces with hot soapy water and a sponge, to remove any residual protective covering of oil, then rinse and dry carefully with a soft cloth.

## OPERATION

### **Hob burners**

1. Ensure gas supply is connected and turned on and the glass lid to the hob is fully open before using the appliance. For combination units the separate glass lid to the sink bowl may be left closed whilst the hob is in use.
2. Push in the control knob and turn anticlockwise to full rate – large flame (🔥), see Fig 6.
3. Continue depressing the knob whilst holding a lighted match or taper to the burner. For models fitted with 'Auto Spark' the procedure is similar except burner ignition is

automatic whilst knob depressed. For models fitted with spark ignition, the procedure is similar except that burner is ignited by depressing the ignition button located on the fascia.

4. After the burner is lit continue depressing the knob for approximately 10 - 15 seconds.
5. Release knob and turn to required heat setting.
6. If burner has not lit within 15 seconds, release knob and wait at least 1 minute before repeating operations (2) to (5).
7. To turn off, rotate the control knob until the line on the knob is aligned with dot on the control panel.

### **Do's and Don'ts**

- |        |  |
|--------|--|
| DO     | Read the user instructions fully and carefully before first use of appliance.  |
| DO     | Allow the burners to heat before using for the first time, in order to expel any fumes or odour before the introduction of food. |
| DO     | Clean the appliance regularly with warm water and soap solution.   |
| DO     | Remove any spills as soon as possible.   |
| DO     | Check that controls are in the off position when finished using the appliance.   |
| DO     | Turn pan handles away from the front so that they cannot be caught accidentally.   |
| DO NOT | Allow small children near the appliance when in use.   |
| DO NOT | Allow oils, fats or food residue to build up on the appliance base.  |
| DO NOT | Use abrasive cleaners or powders that will scratch the surfaces of the appliance.  |
| DO NOT | Under any circumstances use the appliance as a space heater.   |

### **Leaks**

If a smell of gas becomes apparent, the gas supply should be turned off at the cylinder IMMEDIATELY. Extinguish naked lights including cigarettes and pipes and do not operate electrical switches. Open all doors and windows to permit any gas to escape. ULP gas is heavier than air; any gas escaping will therefore collect at low level. The strong unpleasant smell of gas will enable the general area of the leak to be detected. Check that the gas is not escaping from an unlit burner. Never check for leaks with a naked flame; leak investigation on the appliance should be carried out using a leak detector spray.

### **MAINTENANCE**

We recommend an annual inspection and service by an authorised service agent to maintain the efficient performance of the appliance. In between annual service the appliance needs little maintenance other than cleaning. All parts should be cleaned using warm soapy water and a soft cloth or sponge, then carefully wiped dry. Do not leave wet cloths, cleaning pads, cleaning products or other dirt to dry on the appliance surfaces. It can cause pitting and staining. Do not use abrasive cleaners, metal scourers, or wire brushes on the hob and pan rests as they can cause damage.

When cleaning the burner rings, it is essential to ensure that the holes do not become blocked. The control knobs are a push fit and can be removed for cleaning. They are interchangeable without affecting the sense of operation. If any replacement parts are required, they must be obtained by contacting Thetford Ltd at the address or telephone number shown in this manual.

## **INSTALLATION**

### **Regulations and Standards**

Read the instructions before installing this appliance and comply with the cautions and warnings section on Page 2 & 3 of this manual. Gas appliances must only be installed and serviced by an approved and competent person. Failure to install the appliance correctly could invalidate any warranty or liability claims and may lead to prosecution.

Prior to connection ensure the local conditions for gas type and gas pressure match the appliance specification. The adjustment conditions for this appliance are printed on the data badge located on the base of the appliance.

This appliance is not connected to a combustion products evacuation device. It shall be installed and connected in accordance with current installation regulations in force in the country of use. Particular attention shall be given to the requirements regarding ventilation.

### **Ventilation**

The installation must be in accordance with AS/NZS 5601.2: "LP Gas installations in caravans and boats for non-propulsive purposes". This appliance is suitable for installation into Holiday Homes, Touring Caravans, Motorhomes and Boats. The requirements for ventilation for the vehicle into which the appliance is to be installed must be followed. The installation must provide adequate air supply for combustion to the burners, safe removal of combustion products and avoidance of the accumulation of unburned gases.

### **Location of Appliance**

This appliance maybe installed in a kitchen/kitchen diner but NOT in a room containing a bath or a shower. LP gas appliances must not be fitted below ground level, e.g. in a basement

### **Position**

The appliance should be installed onto a suitable worktop. A cut-out should be prepared in the worktop as shown in Fig 1 or Fig 2, depending on the Series type.

We recommend the underside of the hob be shielded – see Fig. 5 - particularly if the area beneath is to be used for storage or the installation of another appliance. The shield should be fabricated from non-combustible material, but if the enclosure is manufactured from combustible material there should be a minimum air gap of 58mm between the underside of the hob pressing and the shield. This air space must be well ventilated.

A horizontal distance of 200mm must be maintained between the edge of the burners and any combustible material, unless this is protected by a layer of non-combustible material. See Fig 4.

Due to protection from the glass lid, the distance from the edge of the burner to the rear wall can be reduced to 130mm.

All combustible materials such as curtains and shelves must be kept well clear of the appliance. Any fitments such as a cupboard above the appliance must have a minimum clearance of 500mm between the fitment and the top of the burner ports – see Fig. 4.

## INSTALLATION

Care should be taken to position the appliance centrally in the worktop cut-out to ensure an air gap is maintained between the edges of the appliance and the sides of the cut-out. The appliance may then be fixed in position with screws - see Fig. 3. Make sure the appliance is level and correctly positioned in the aperture before fixing in place.

This appliance must be positioned free from draughts, which may affect the combustion, and in a manner that will prevent the accumulation of unburned gas. When in use ensure that air vents are not inadvertently blocked or shut off. Ensure all combustible materials such as curtains, blinds and shelves are well clear of the appliance.

If other appliance/s are located below the hob we recommend conducting a temperature verification test to confirm any rise in temperature of the cabinet materials are within allowable limits and meet requirements specified in standards AS 5263.1 and AS/NZS 5601.2 Section 6.5 Clearances.

After installation the appliance must be tested for gas soundness and satisfactory ignition of all burners both individually and combined.

The gas supply pressure to which this appliance is connected must not rise or fall by more than 0.25 kPa (2.5mbar) from nominal, when all appliances connected to the supply are operated simultaneously.

The performance of this appliance meets the requirements of AS 5263.1 which specifies a maximum temperature rise for the furniture into which the appliance is installed of 65°C above the ambient temperature. It is important the installer verifies the furniture construction material and that it is suitable for the application - i.e. plastic materials or adhesives used in the construction may have a softening point lower than the maximum allowable temperature rise specified in the appliance standard.

We recommend the installation follows the minimum dimensions shown in this manual as any deviation could result in excessive temperature rise. If minimum dimensions must be reduced, due to design constraints, a temperature rise test of all furniture fitted around the unit **MUST** be performed. The design is deemed permissible providing the results of this test comply with the allowable temperature rise specified above and with all standards in force. In addition comply with all requirements detailed within the furniture manufacturer's material specification. Where minimum dimensions are reduced we recommend protecting with non combustible material.

### **Connection - Gas**

A 1/4" BSP taper gas inlet connection and pressure test point is provided underneath the appliance. It is recommended that the appliance is connected by steel or copper tubing, a rubber or hose connection should not be used. The gas inlet must be accessible with the appliance installed to ensure installation in accordance with AS/NZS 5601.2. After connection the appliance must be tested for gas soundness.

This appliance is suitable for use with UNIVERSAL LPG ONLY at 2.75 kPa pressure.

It is important that the regulator should be set to the correct pressure for the type of gas being used. Excessive pressure must not be permitted.


If the flame on any burner should show a tendency to lift, it is possible that the line pressure is too great. Should there be excessive yellow tips (resulting in sooting), then it is possible that the line pressure is too low. In either case the burners should not be used until the line pressure has been confirmed.

The burners on this appliance have fixed aeration and no adjustment is necessary.

## INSTALLATION

### Electrical Connection

The spark ignition generator must only be connected to a suitable 12V DC battery. Sheathed spade connectors should be used to connect the spark generator to the power supply.

	<p>To ensure correct operation observe the following installation requirements:</p>
	<ul style="list-style-type: none"><li>• Build the appliance into a self-contained cabinet which is not connected to externally vented chambers in adjacent furniture, other than the correct size gas dispersal hole.</li><li>• Holes for cables &amp; pipes should have minimum clearances.</li><li>• A gas dispersal hole should be fitted, this must not exceed Ø25mm</li><li>• Cupboards below appliance must not allow gas to enter the living area.</li><li>• Air vents and gas dispersal holes must be kept clear</li><li>• If this appliance is not installed in accordance with the instructions and tolerances detailed herein, we the manufacturer can not be held responsible for any problems that occur, or poor performance that is perceived/witnessed</li></ul>

## SERVICING

Do not modify this appliance. All servicing must be carried out by an approved and competent person. Before any service work is started the appliance must be left to cool and be disconnected from both the gas and electrical supplies. After each service the appliance must be checked for gas soundness.

Details of the injector orifice size are provided within the specification table on page 4. To verify the system is operating at the correct pressure, a pressure test point is provided on the gas manifold, located below the control panel. The pressure is measured with the Semi Rapid burner on a high flame and with an inlet pressure of 2.75 kPa (Universal LPG).

### To remove the hob.

Isolate the gas supply and disconnect inlet pipe

Disconnect 12v power wires to spark generator.

Lift the glass lid and unscrew the appliance from the worktop - see Fig. 3 on page 7 for fixing details. Lift and place the hob onto a suitably protected surface.

### Hob burner gas valve removal/replacement.

Shut off gas supply and disconnect gas supply pipe from the unit.

Remove the hob from the worktop as above.

Remove the appropriate control knob by pulling up on the knob.

From underside of hob disconnect the appropriate thermocouple at the gas valve.

Unscrew the appropriate gas supply pipe nut.

Remove the appropriate gas valve clamp by unscrewing the two screws.

Unscrew the gas valve retaining nut.

Remove the gas valve.

Replace the valve and gasket. Refit using the reverse of the above procedure.

**Hob burner injector removal/replacement.**

Lift off the appropriate pan rest to release it from the rubber bushes.

Remove the screw in the burner cap and lift off the burner cap and skirt / flame spreader.

With a 7mm A/F socket, unscrew the injector from the bottom of the burner mixing tube.

Replace/refit using the reverse of the above procedure.

**Thermocouple removal/replacement**

Shut off gas supply and disconnect gas supply pipe from the unit.

Remove the hob from the worktop as above.

From the underside of the hob, disconnect the appropriate thermocouple at the gas valve and at the shut-off switch attached to the hinge for the glass lid.

Remove the spring clip retaining the thermocouple at the burner.

Remove the thermocouple.

Replace/refit using reverse of the above procedure.

**Spark ignition.**

Disconnect from gas supply.

Disconnect 12v power wires to spark generator.

Remove appliance from worktop as above.

**12v Spark Generator replacement**

Located on the underside of appliance.

Remove all electrode wires.

Unscrew and/or unclip the spark generator and lift off the unit.

Replace/refit using reverse procedure.

**Spark Ignition Wires.**

Pull off the fixing clip on the burner and remove electrode from the burner cup.

Trace the electrode wire back to the generator and pull off the connector.

Replace/refit using reverse procedure.

**Glass Lid and Glass Lid Safety Shut-Off Switch.**

The glass shut-down lid may be removed with the appliance in-situ. Open the glass lid fully and use a screwdriver to loosen the clamping screws in the upper leaves of the hinges. The glass should be carefully lifted from the hinges when the screws are loose enough. Place the glass lid in a protected area to avoid breakage.


To remove the safety shut-off switch the glass lid must first be removed and the appliance disconnected from gas and electricity and removed from the cabinet. Disconnect the thermocouple wires from the switch terminals by pulling straight down, away from the switch without bending the connecting tabs.

Remove the two hinge-mounting screws from the hinge which carries the shut-off switch and remove the switch from the hinge. A switch actuating pin is mounted in a hole located on the underside of the hinge - catch the pin as it will fall out of the hinge as the switch is removed and retain it for refitting. Refitting is the reverse of removal, including replacing the pin in the hole underneath the hinge.

## FAULT DIAGNOSIS

FAULT	CAUSE	SOLUTION
Burner will not adjust (continuous on low or high flame).	Gas pressure Blocked jet Control tap	Check gas pressure correct Clear blockage from jet. Check jet size correct Inspect/test control tap
Burner sooting.	Gas pressure	Check pressure, low pressure is the cause of sooting.
Burner – no Spark Ignition	Power supply Poor connection Spark generator	Check power supply Check all connections Test spark generator Earth leakage due to damaged wire
Burner will not remain lit	Thermocouple failure. Blocked jet	Test & replace thermocouple if required Check thermocouple in flame path Clear jet blockage

In the event that this appliance cannot be adjusted to perform correctly and for any service assistance, please contact your authorised local Service Agent giving details of the model and serial number from the data badge on the underside of the appliance, plus the date of purchase.

Model Name & Series Number				
G30	CAT I <sub>3</sub> + (28/30-37) BUTANE 28-30mbar	CAT I <sub>3</sub> B/P(30) BUTANE 30mbar	<b>THETFORD</b>	
G31	PROPANE 37mbar	PROPANE 30mbar		
MQn	Power kW (g/hr)	Model Number	Spark Ignition	
CE	Pin Number	Serial Number	Voltage ~ 50Hz	
	Country Codes 1	Country Codes 2	QC Pass	Order No

In accordance with our policy of ongoing product development, specifications may change without prior notice.

**THETFORD AUSTRALIA PTY LTD**  
**130-132 Freight Drive Somerton VIC 3062**  
**TEL: 03 9358 0700 FAX: 03 9357 7060**