

# VITRIFRIGO DP150i

|                                       |                   |
|---------------------------------------|-------------------|
| Total Volume                          | 150 lt            |
| Freezer Compartment                   | 30 lt             |
| Net Weight                            | 43 Kg             |
| Power Supply<br>& Nominal Consumption | 12/24V DC<br>65 W |

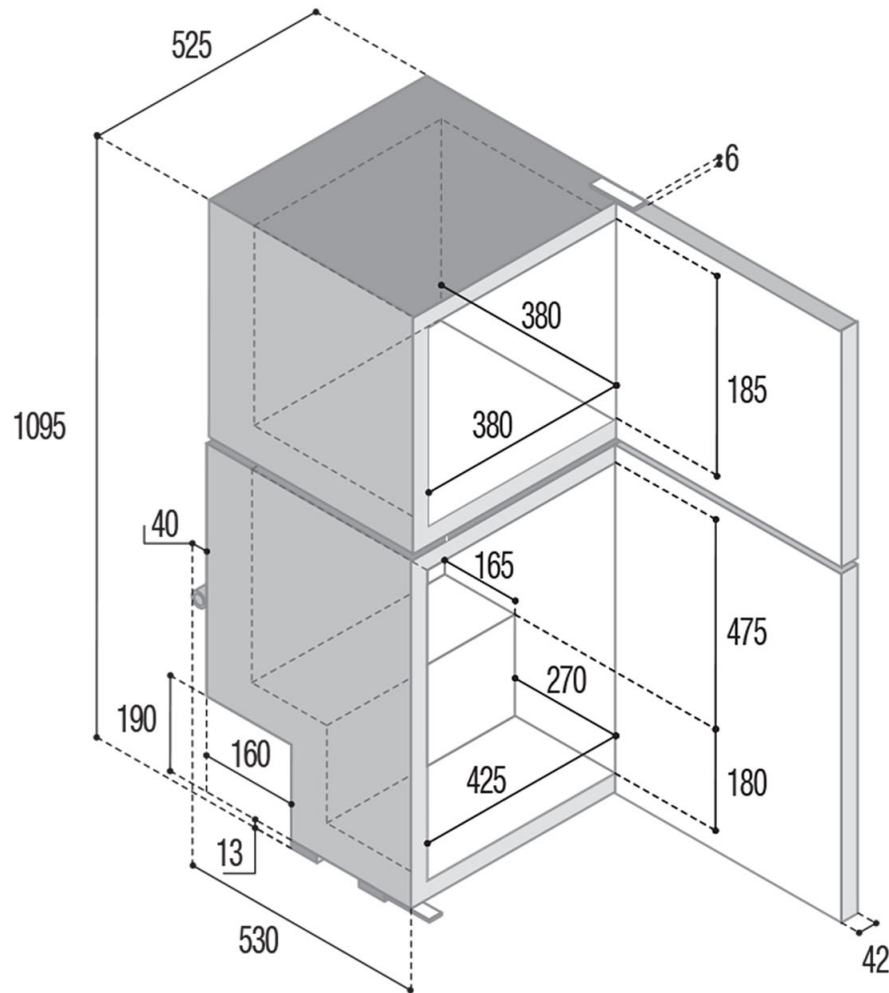


Only available as



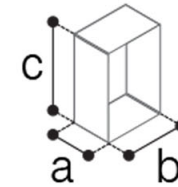
FRIDGE+FREEZER

## DIMENSIONS



## INSTALLATION

Built-in

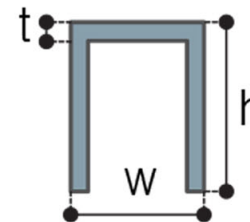


Door  
Inside

Door  
Outside

|         |         |
|---------|---------|
| a: 565  | a: 523  |
| b: 540  | b: 540  |
| c: 1095 | c: 1095 |

## OPTIONAL



Mounting flange

|         |
|---------|
| t: 25   |
| w: 588  |
| h: 1107 |