

READ ME !

Thank you for purchasing a Front Runner Land Rover Defender 110 TDI / TD5 2.8 / V8 Water Tank 36L.
Before you start, take a moment to familiarize yourself with the Fitting Instructions and the components received.
Refer to Page 2 for a list of all the components, quantities and tools required.

IMPORTANT WARNING!

IT IS CRITICAL THAT ALL FRONT RUNNER PRODUCTS BE PROPERLY AND SECURELY ASSEMBLED AND ATTACHED TO YOUR VEHICLE. IMPROPER ATTACHMENT COULD RESULT IN AN AUTOMOBILE ACCIDENT, AND COULD CAUSE SERIOUS BODILY INJURY OR DEATH. YOU ARE RESPONSIBLE FOR ASSEMBLING AND SECURING ALL FRONT RUNNER PRODUCTS TO YOUR VEHICLE, CHECKING THE ATTACHMENTS PRIOR TO USE, AND PERIODICALLY INSPECTING THE PRODUCTS FOR ADJUSTMENT, WEAR AND DAMAGE. THEREFORE, YOU MUST READ AND UNDERSTAND ALL OF THE INSTRUCTIONS AND PRECAUTIONS SUPPLIED WITH YOUR FRONT RUNNER PRODUCT PRIOR TO INSTALLATION OR USE. IF YOU DO NOT UNDERSTAND ALL OF THE INSTRUCTIONS AND CAUTIONS, OR IF YOU HAVE NO MECHANICAL EXPERIENCE AND ARE NOT THOROUGHLY FAMILIAR WITH THE INSTALLATION PROCEDURES, YOU SHOULD HAVE THE PRODUCT INSTALLED BY A PROFESSIONAL INSTALLER OR OTHER QUALIFIED PERSONNEL.

NOTE: Front Runner will not be responsible for any damage caused by the failure to install the product according to these instructions.
Please call us if you have any questions about the installation of this product.

1

GET ORGANIZED

IN THE BOX

1	1 X	Water Tank
2	1 X	Tank Protection Plate
3	1 X	Rear Support Bracket
4	1 X	Inlet Cover Plate
5	1 X	Coupler
6	1 X	Filler Cap
7	4 X	Pop Rivet 4 x 21
8	2 X	M8 x 30 Button Head
9	8 X	M8 x 25 x 2 Flat Washer
10	7 X	M8 Nyloc Nut
11	4 X	M8 x 16 x 1.6SS Flat Washer
12	2 X	M8 x 40 Hex Bolt
13	4 X	M10 x 30 x 3 Flat Washer
14	2 X	M10 x 80 Hex Bolt
15	1 X	M8 x 100 Hex Bolt
16	1 X	M8 x 80 Hex Bolt
17	1 X	Locking Tap 15mm

IN THE BOX

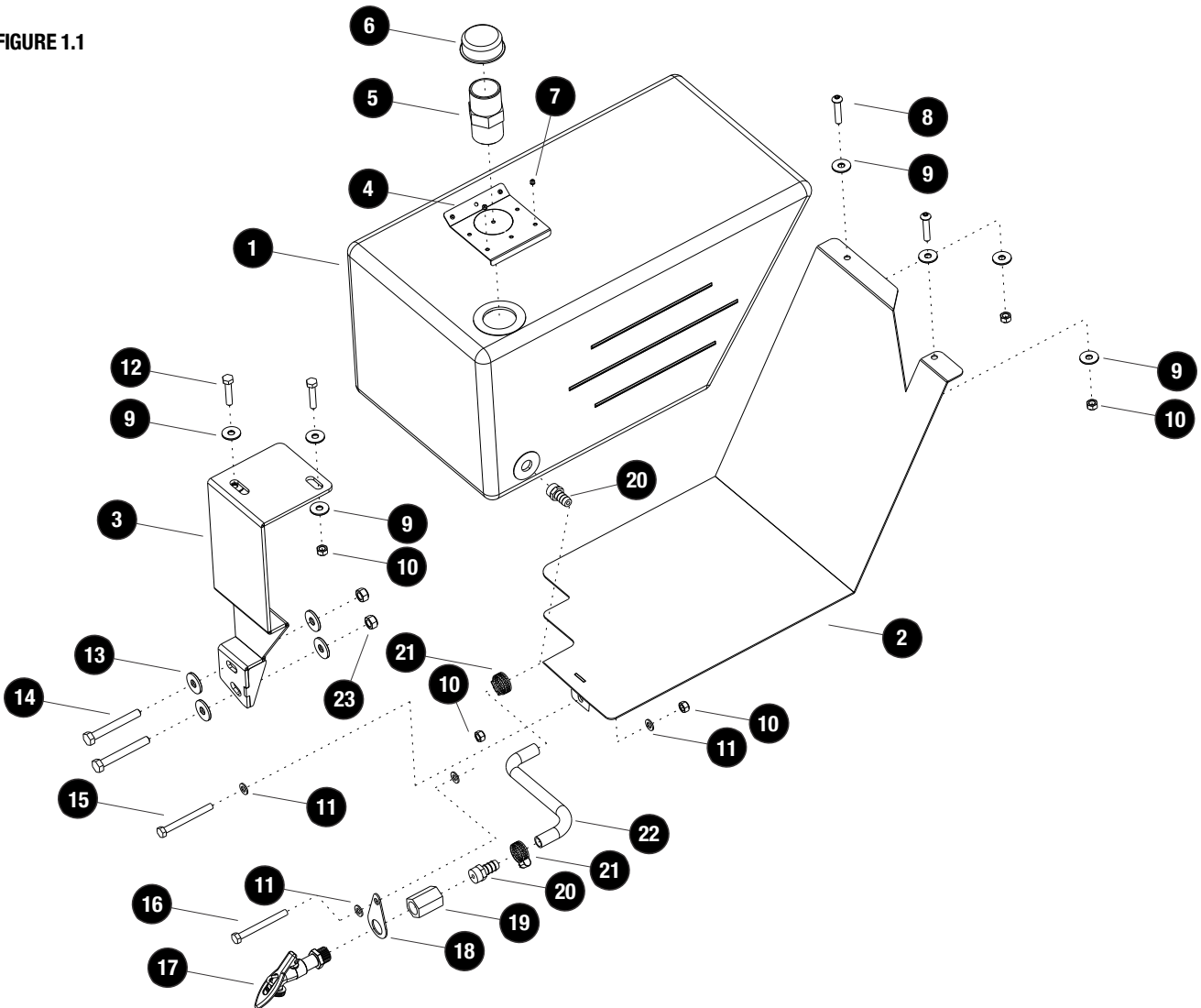
18	1 X	Tap Mount Plate
19	1 X	1/2" Threaded Adapter
20	1 X	Male Barbed Fitting 1/2"
21	1 X	Hose Clamp 16/25
22	1 X	Water Hose 12mm Clear 550mm Long
23	1 X	M10 Nyloc Nut

TOOLS NEEDED



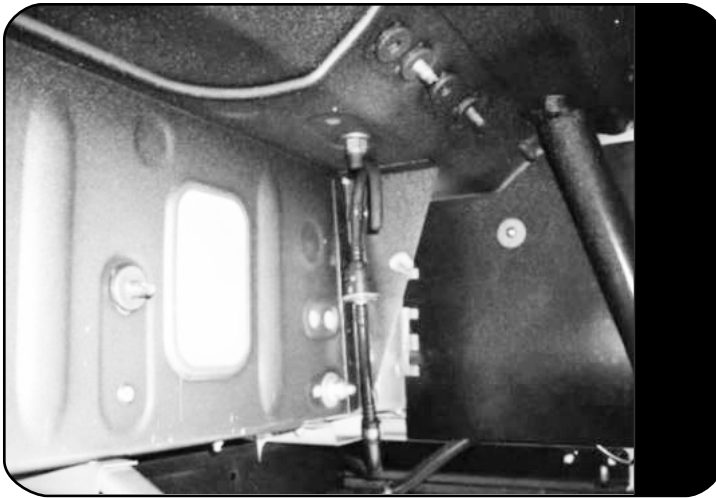
Thread Tape

FIGURE 1.1



2**FIT AND SECURE**

2.1

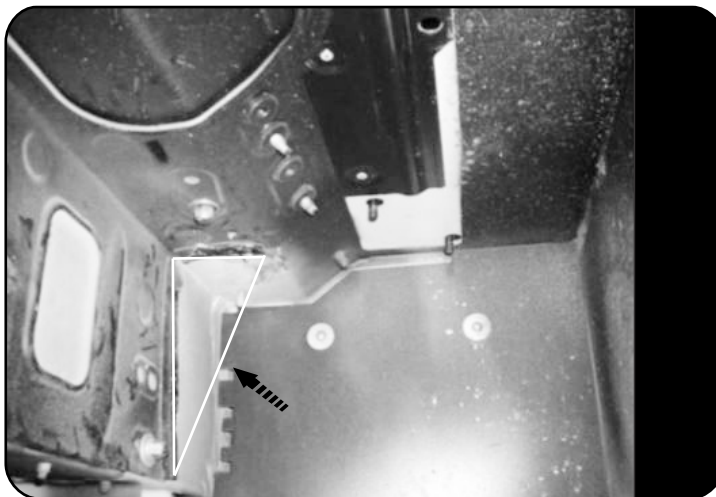


Remove the left rear wheel.
Remove the safety belt support bracket.

Under the fender you will see the fuel tank breather pipe.

Unclip the breather pipe and push it behind the rear plastic cover and remove the breather pipe clips.

2.2



There is a fender support bracket that needs to be modified. Using your grinder cut the gusset section of the bracket as close to the body as possible. Using a hammer, form the remaining part of the bracket so that it is flush with the body of the vehicle.

2.3



Remove the cover plate located in the rear left corner inside the vehicle on top of the left rear fender.

Remove the studs. Using a 16mm socket and hammer to tap them loose.

2.4



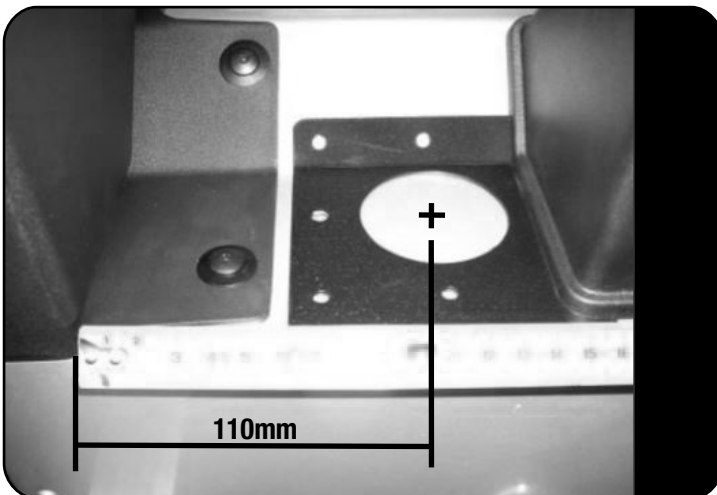
The safety support bracket must be modified. Clamp the 'flat' portion in a vice. Using your hack saw, cut the tube off as close to the plate as possible.

2.5



The now modified plate needs to be re fitted as it originally was, with the included replacement support bracket over it.

2.6



Looking inside the vehicle, place the center of the Inlet Cover Plate (Item 4) 110mm from the speaker box.

Mark four outer holes with a pen.

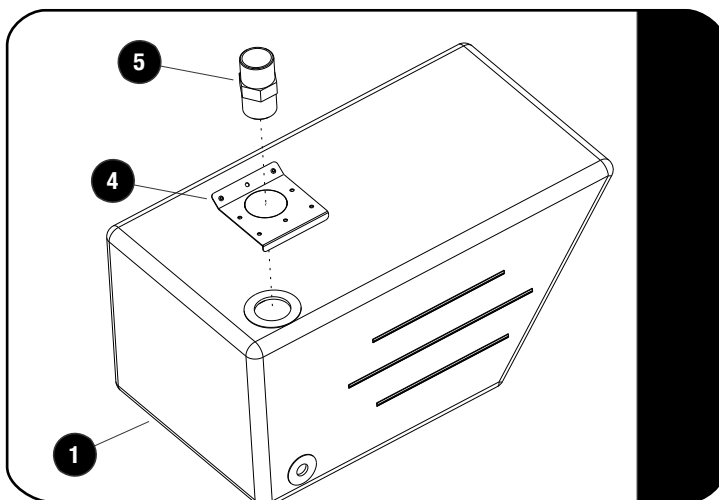
Drill a 5mm pilot hole in the center of the cover plate. Remove the plate and open the hole to 54mm with a hole saw.

Remove the center part of the Cover plate. (This can be discarded)

Drill 5mm holes on the marks you made previously.

Use four Pop Rivets to secure the cover-plate to the fender.

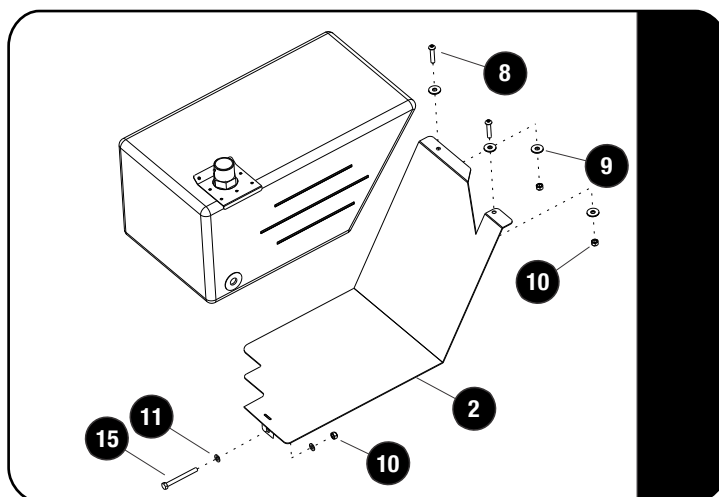
2.7



Lift the Water Tank (Item 1) into position under the fender.

From the inside of the vehicle, insert and loosely tighten the Coupler (Item 5).

2.8



Place the Tank Protection Plate (Item 2) underneath the tank.

Use the M8 x 100 Hex Bolt, two M8 x 16 x 1.6 Flat Washers and M8 Nyloc Nut (Items 10, 11 & 15) loosely bolt the Protection Plate to the rear bumper.

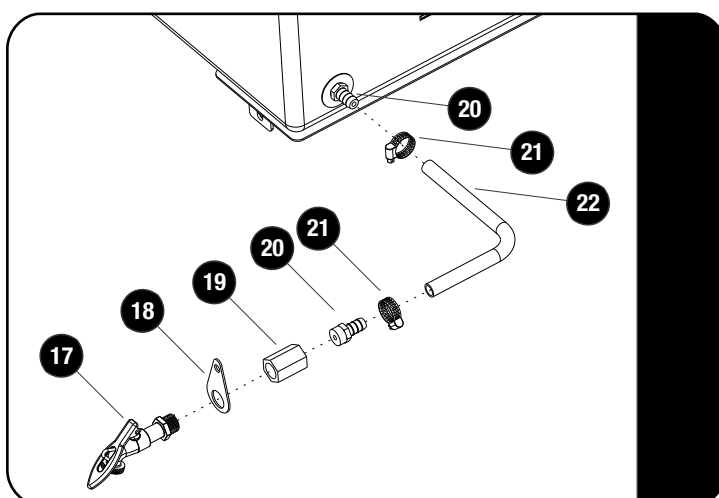
Lift the other end of the Protection Plate against the body inside the wheel arch.

Using the two holes in the plate as a guide, carefully drill through the body.

Secure using two M8 x 30 Button Head Bolts, four M8 x 25 x 2 Flat Washers and two M8 Nyloc Nuts (Items 8, 9 & 10) as shown.

From inside the vehicle fully tighten the Coupler and fit the Filler Cap.

2.9



Wind thread tape around the thread Barbed fittings (Item 20). Screw one Barbed Fitting into the water tank outlet.

Place one end of the Water Hose (Item 22) over the Barbed Fitting and secure with a Hose Clamp (Item 21).

Place a Hose Clamp on the other end of the pipe and insert the second barbed fitting into the Water Hose and secure using the last hose clamp.

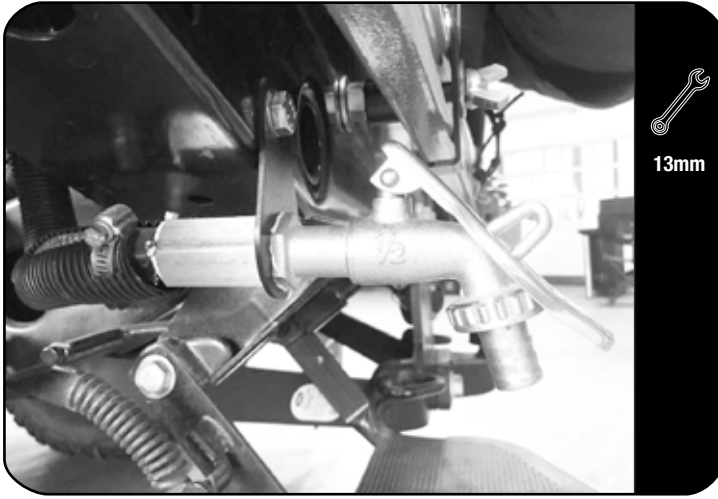
Screw the female 1/2 Inch Coupler (Item 19) onto the Barbed Fitting.

Place the Locking Tap (Item 17) with thread tape through the Tap Mount Plate (Item 18) and screw onto the 1/2 Inch Coupler.

2

FIT AND SECURE

2.10



Run the tap assembly toward the rear left of the bumper. Secure the locking tap to the bumper using a M8 x 80 Hex Bolt , two M8 Flat Washers, and a M8 Nyloc Nut (Item 10, 11 & 16).



13mm

3

FINISH

Congratulations! You did it. Take a step back and admire your work!

4

INSTALL OTHER VEHICLE AND RACK ACCESSORIES

Now's the time to visit your favorite Front Runner Dealer in person or online.

Be sure to tag us. We love to see our gear in action! #FrontRunnerOutfitters #BornToRoam

Share your adventures on:

