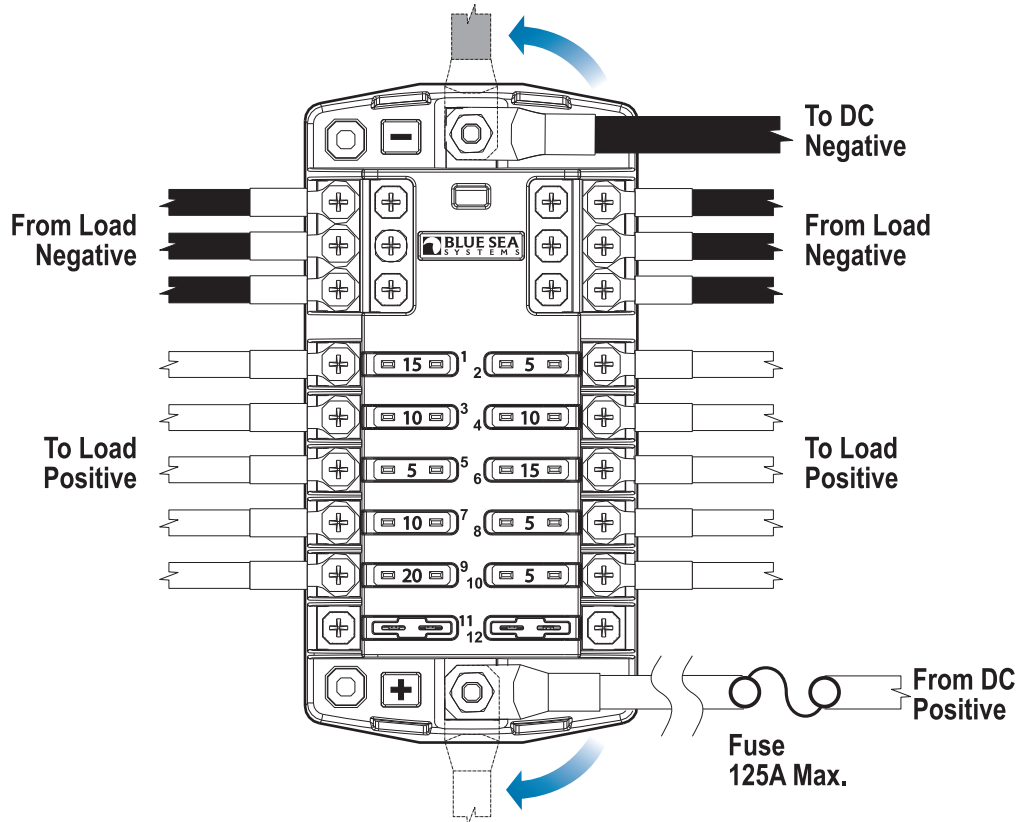


Enerdrive Fuse Box - 12 Circuit with Negative
 Bus and Cover
 EA-FB-07
Wiring Diagram



Application Note: This device is intended for branch circuit protection. Suitable main circuit protection of not more than 125A rating should be provided ahead of this device with an interrupt current rating consistent with the battery capacity.