



Enerdrive



DOMETIC

B-TEC 300AH 12V G2

EPL-300BT-12V-G2



B-TEC 300AH 12V G2

KEY FEATURES

- New Design BMS
- Max Discharge Current 250A (15mins) – 200A Continuous
- Max Charge Current 190A (30mins)
- Can be connected in parallel (up to 4 Batteries)
- Built In Flat Battery Reset Switch
- Includes Mounting Tray and 2 Straps
- Communication Ports (RS485) for future integration
- 5 Year Warranty – Lifetime Support



B-TEC 300AH 12V G2

RECOMMENDED ACCESSORIES



EN1226X



EN3DC40+



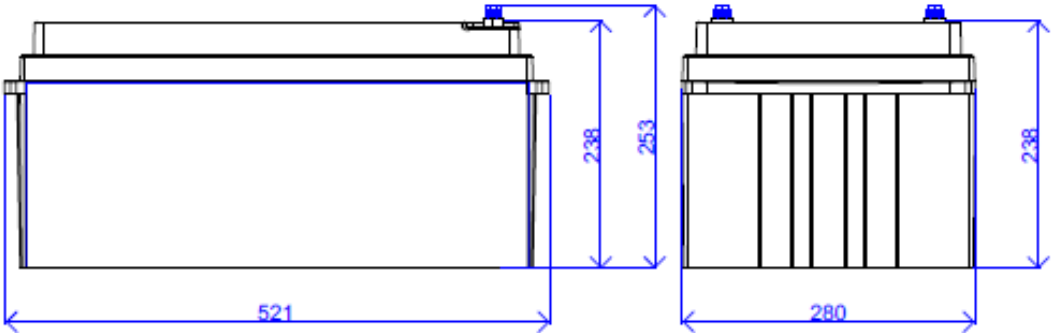
EN31260



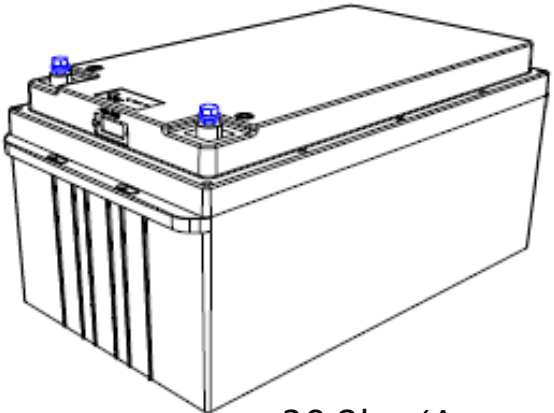
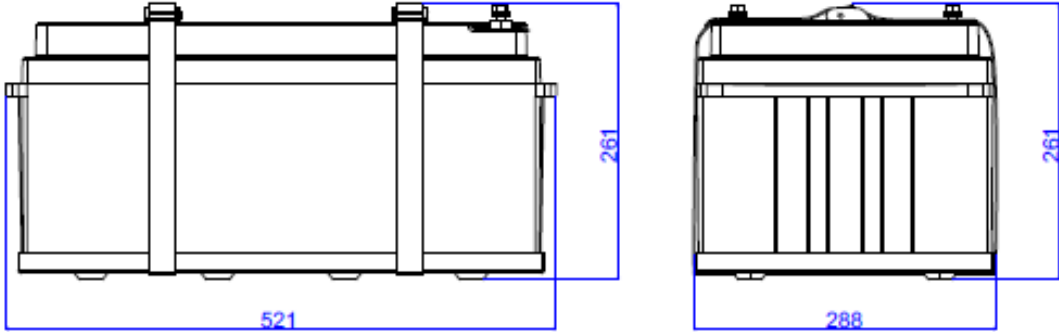
B-TEC 300AH 12V G2

DIMENSIONS

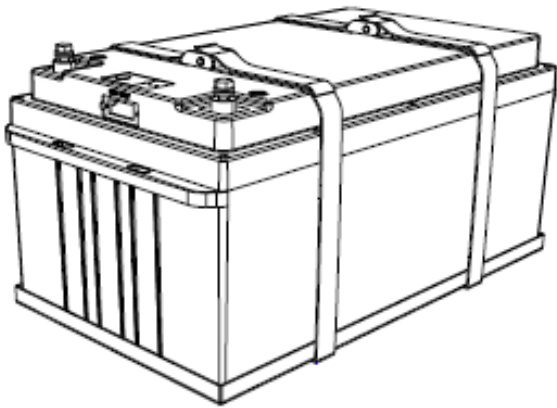
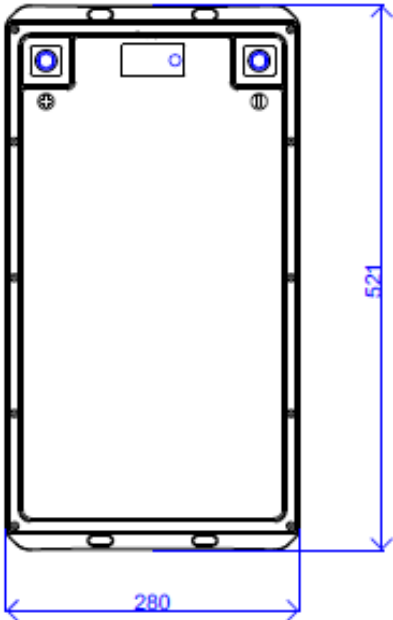
Without Tray



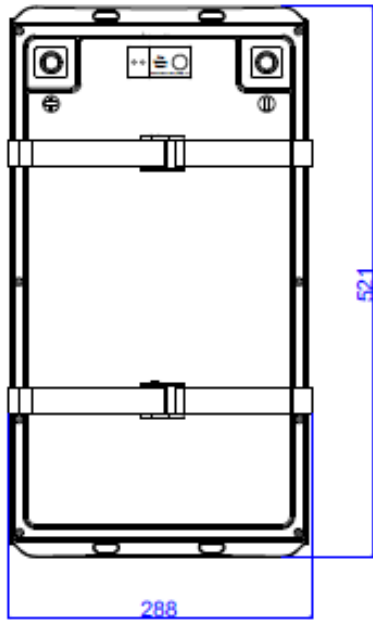
With Tray



38.2kg (Approx)



39.4kg (Approx)



B-TEC 300AH 12V G2

OLD VS NEW DIMENSIONS (WITHOUT TRAY)

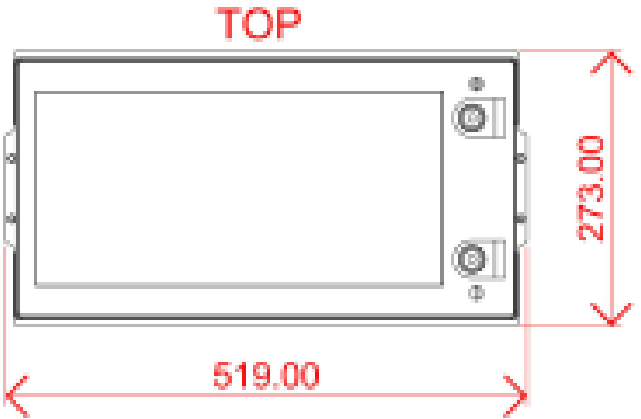
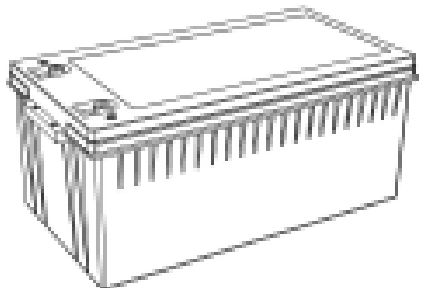
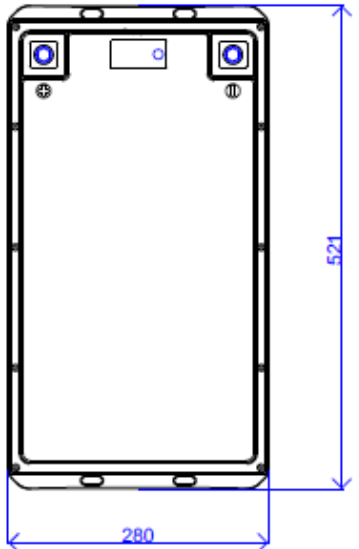
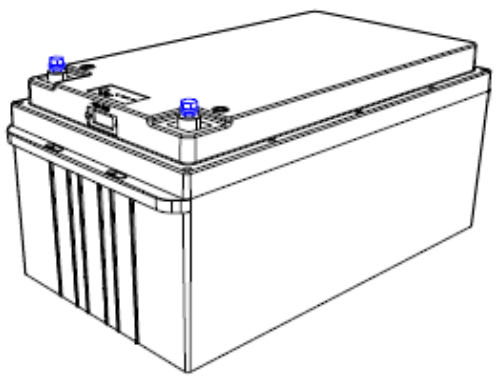
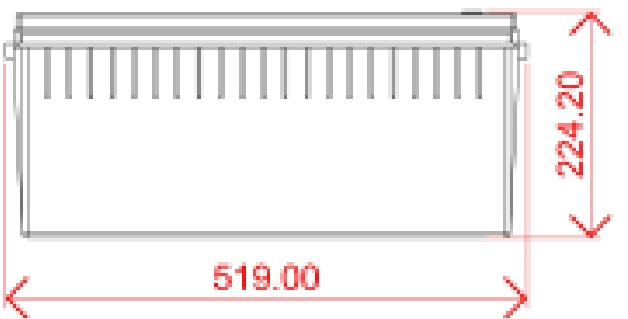
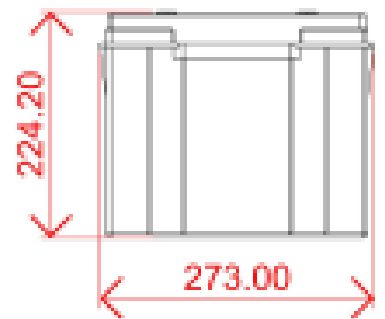
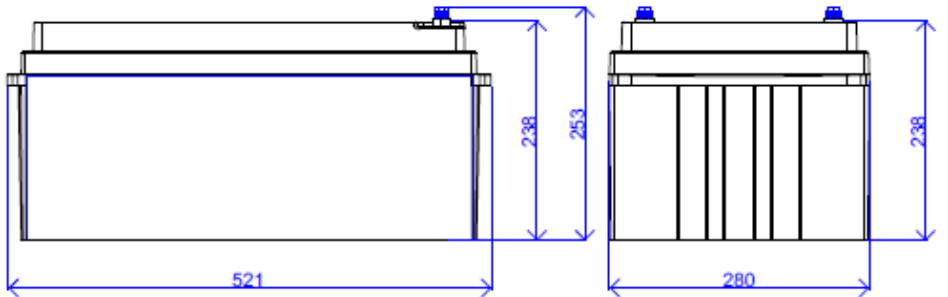
14mm Taller

2mm Longer

7mm Wider

G2

G1



B-TEC 300AH 12V G2

SPECIFICATIONS

Normal Specification	EPL- 300BT-12V-G2
Nominal Voltage	12.8V
Nominal Capacity	300Ah
Cycle Life (DOD – 80% under controlled conditions)	≥ 2000 Cycles
Standard Charge Specification (Lithium profile charger required)	
Battery Charge Temperature	0-45°C
Normal Charge Voltage CV/CC*	14.2-14.6V
Standby (Float) Voltage	13.5-13.6V
Maximum Charge Current	190A @ 25°C for 30mins
Recommended Charge Current for Maximum Life	80A-120A
Standard Discharge Specification	
Battery Discharge Temperature	-20-60°C
Battery Output Voltage Range	11.0-14.60V
Maximum Discharge Current	200A Continuous @ 25°C ± 5°C / 250A for 15mins
Pulse Discharge Current	400A for 3.0s
Discharge Cut-off Voltage	≤11.20V
Circuit Protection	The battery is supplied with a LiFePO4 Battery Management System BMS that can monitor and optimize each single prismatic cell during charge & discharge, to protect the battery pack from overcharge, over discharge & short circuit. Overall, the BMS helps to ensure safe and accurate operation of the battery.
Over-Charge Protection	
Over-charge Protection Per Cell	3.75V ± 0.05V
Over-charge Release Per Cell	3.60V ± 0.05V
Over-charge Release Method	Discharge below release voltage
Over-Discharge Protection	
Over-discharge Protection Per Cell	2.80V ± 0.04V
Over-discharge Release Per Cell	3.20V ± 0.05V
Over-discharge Release Method	Apply Charge/Voltage ≥12.8V
Battery Manual Reset Button	Yes

Over Current Protection	
Charge Over Current	210A for 25s
Discharge Over Current	280A for 25s – 400A for 3.5s
Protection Reset Time	30s Auto Release
Over Current Release Method	Disconnect Load
Over Temperature Protection	
Battery Discharge Over Temperature	Protection to 65°C ± 5°C Release at 50°C ± 5°C
Battery Charge Over Temperature	Protection to 65°C ± 5°C Release at 50°C ± 5°C
Short Circuit Protection	Auto release after 5s
Mechanical Characteristics	
Without Mounting Tray	
Length	521mm
Width	280mm
Height (not including terminals)	253mm
Weight	Approx 38.2 Kg
With Mounting Tray	
Length	521mm
Width	288mm
Height (not including terminals)	261mm
Weight	Approx 39.4 Kg
Storage Information	
Temperature & Humidity Range	≤ 30 days -20°C-60°C, 5-75% RH ≥ 30 days -10°C-45°C, 5-75% RH
Self-discharge Rate	≤ 3% Per Month