

READ ME !

Thank you for purchasing Front Runner Ford Ranger Load Bin Mount Brackets.

Before you start, take a moment to familiarize yourself with the Fitting Instructions and the components received.

Refer to Page 2 for a list of all the components, quantities and tools required.

IMPORTANT WARNING!

IT IS CRITICAL THAT ALL FRONT RUNNER PRODUCTS BE PROPERLY AND SECURELY ASSEMBLED AND ATTACHED TO YOUR VEHICLE. IMPROPER ATTACHMENT COULD RESULT IN AN AUTOMOBILE ACCIDENT, AND COULD CAUSE SERIOUS BODILY INJURY OR DEATH. YOU ARE RESPONSIBLE FOR ASSEMBLING AND SECURING ALL FRONT RUNNER PRODUCTS TO YOUR VEHICLE, CHECKING THE ATTACHMENTS PRIOR TO USE, AND PERIODICALLY INSPECTING THE PRODUCTS FOR ADJUSTMENT, WEAR AND DAMAGE. THEREFORE, YOU MUST READ AND UNDERSTAND ALL OF THE INSTRUCTIONS AND PRECAUTIONS SUPPLIED WITH YOUR FRONT RUNNER PRODUCT PRIOR TO INSTALLATION OR USE. IF YOU DO NOT UNDERSTAND ALL OF THE INSTRUCTIONS AND CAUTIONS, OR IF YOU HAVE NO MECHANICAL EXPERIENCE AND ARE NOT THOROUGHLY FAMILIAR WITH THE INSTALLATION PROCEDURES, YOU SHOULD HAVE THE PRODUCT INSTALLED BY A PROFESSIONAL INSTALLER OR OTHER QUALIFIED PERSONNEL.

NOTE: Front Runner will not be responsible for any damage caused by the failure to install the product according to these instructions.

Please call us if you have any questions about the installation of this product.

1 GET ORGANIZED

IN THE BOX

1	2 X	Rear Side Mount - 1LH + 1RH
2	2 X	Rear Support - 1LH + 1RH
3	2 X	Front Support - 1LH + 1RH
4	2 X	Front Side Mount
5	2 X	Joiner For WildTrak
6	2 X	Joiner
7	4 X	Clamp
8	8 X	Clamp Spacer
9	6 X	Leg Spacer
10	24 X	M8 Nut Cap
11	16 X	M8 Nyloc Nuts
12	36 X	M8 x 16 x 1SS Flat Washer
13	8 X	M8 x 40 Hex Bolt
14	20 X	M8 SS Spring Washer
15	8 X	Spacer
16	16 X	M6 x 12 Button Head Bolt
17	8 X	M8 x 20 Button Head Bolt
18	4 X	M8 x 70 Hex Bolt
19	12 X	M8 x 35 Button Head Bolt

TOOLS NEEDED

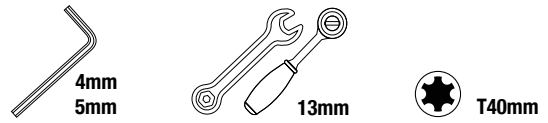
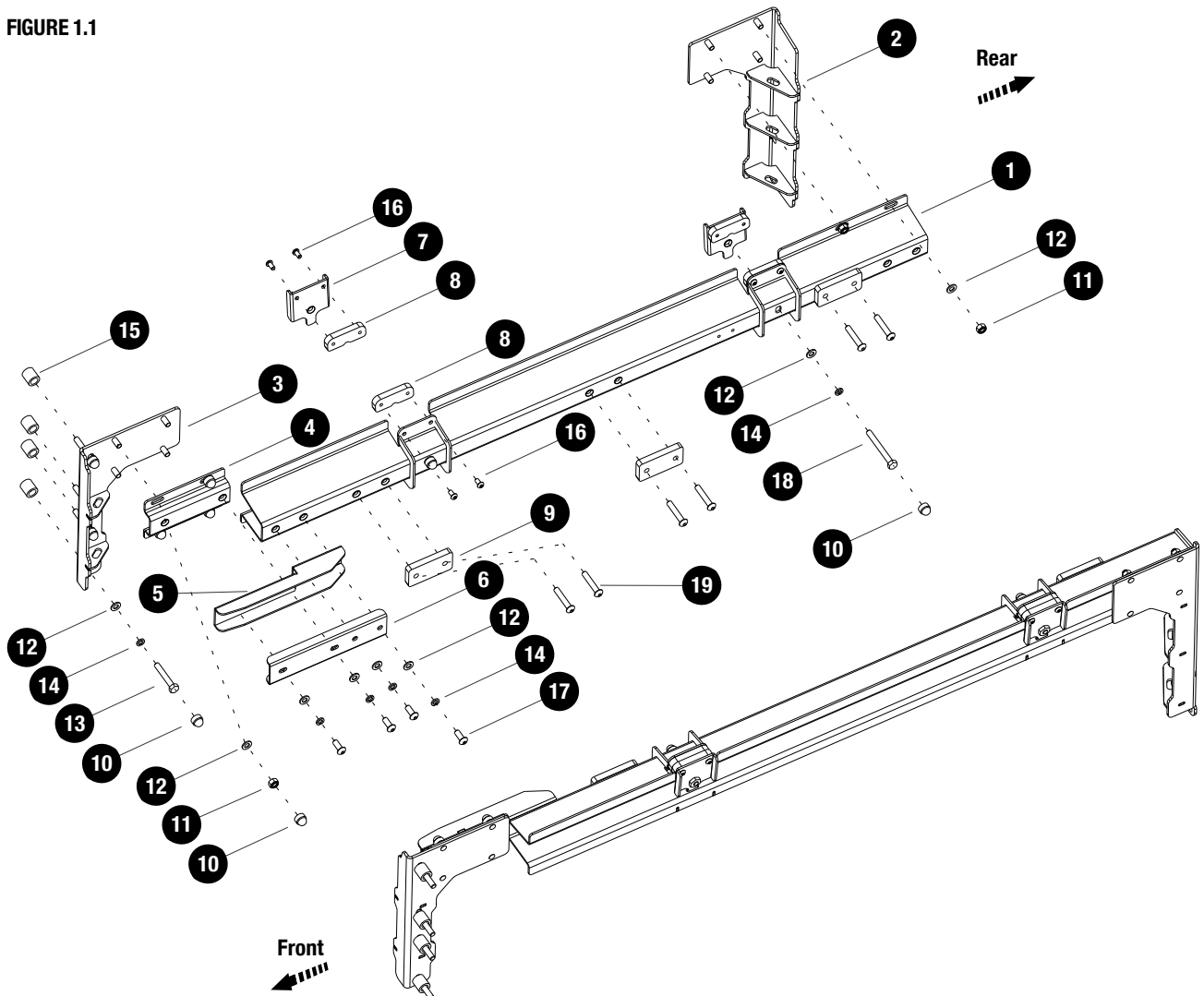


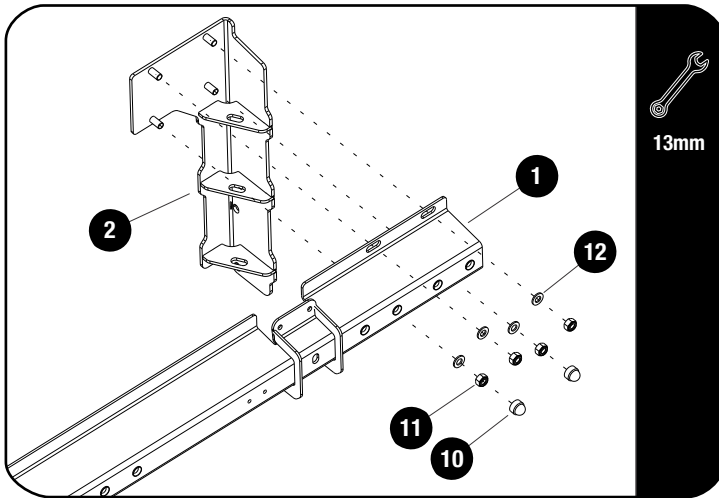
FIGURE 1.1



2

FIT AND SECURE

2.1



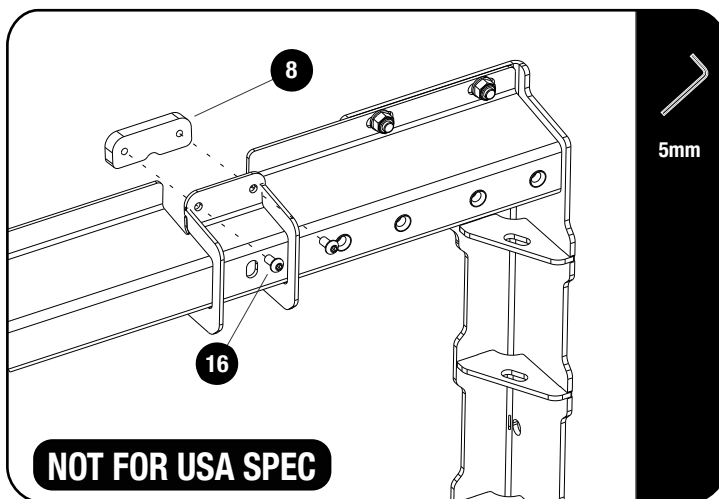
Not all hardware will be used for this fitment.



Assemble the rear support (Item 2) to the Rear Side Mount (Item 1) using M8 Nyloc Nuts and M8 x 16 x 1.6SS Flat Washers (Items 11 & 12).

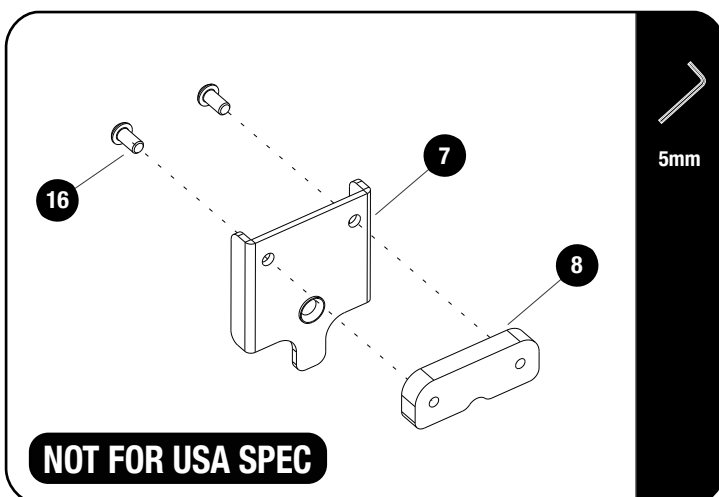
Do this with both the left and right side. (LHS side shown).

2.2



Assemble Spacers (Item 8) to the Rear Side Mount using M6 x 12 Button Head Bolts (Items 16).

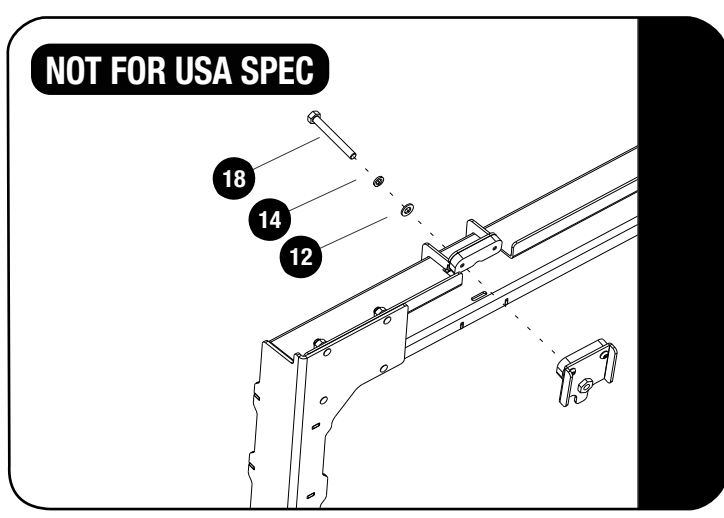
2.3



Assemble Spacers (Item 8) to each of the four Clamps (Item 7) using M6 x 12 Button Head Bolts (Item 16).

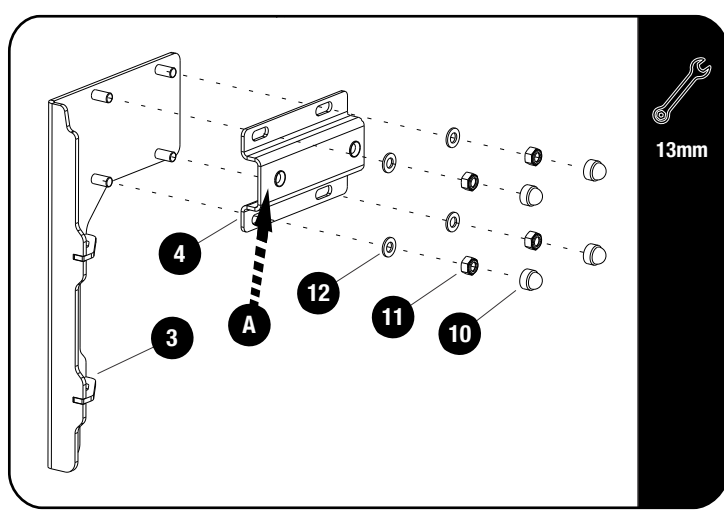
2 FIT AND SECURE

2.4



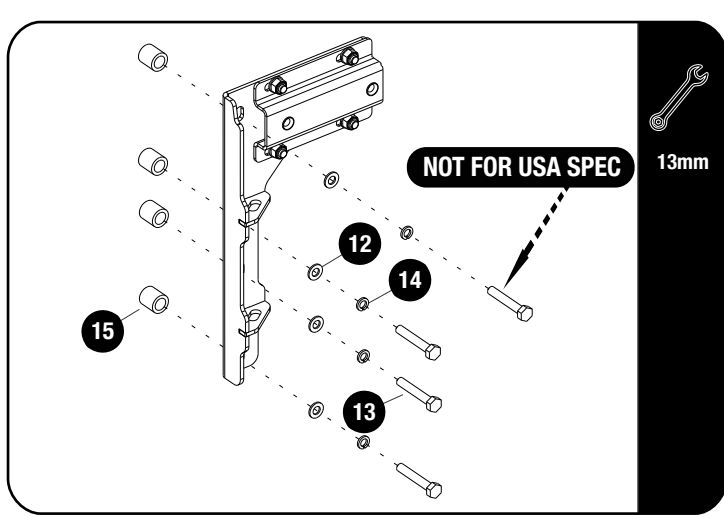
Loosely assemble the Clamps with Spacers to the Rear Side Mount using M8 x 70 Hex Bolts, M8 SS Spring Washers and M8 x 16 x 1.6SS Flat Washers (Items 12, 14 & 18) as shown.
This will be fully tightened and clamped in 3.10.

2.5



Assemble the Front Support (Item 3) and the Front Side Mount (Item 4) using M8 Nyloc Nuts and M8 x 16 x 1.6SS Flat Washers (Items 11 & 12).
Do this with the left and right side. (Left Side Shown)
Note the position of the insert (A).

2.6

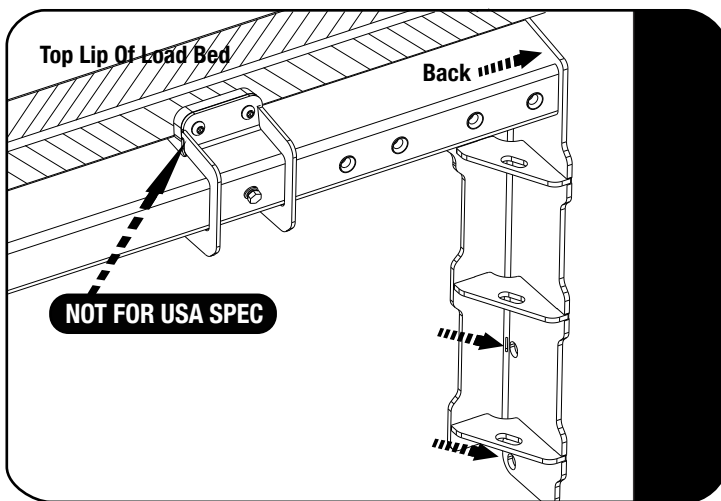


Before securing the sub assemblies from 3.5 to your vehicle, remove the top plastic trim of the bin liner if fitted.
Also remove front and rear factory tie down points if fitted.
The bolt located above the front tie down also needs to be removed.
Secure the assembly from 3.5 in front using M8 x 50 Hex Bolt, M8 SS Spring Washers and M8 x 16 x 1.6SS Flat Washers (Items 12, 13 & 14).
Place Spacers (Item 15) between the assembly and the vehicle's body as shown.

2

FIT AND SECURE

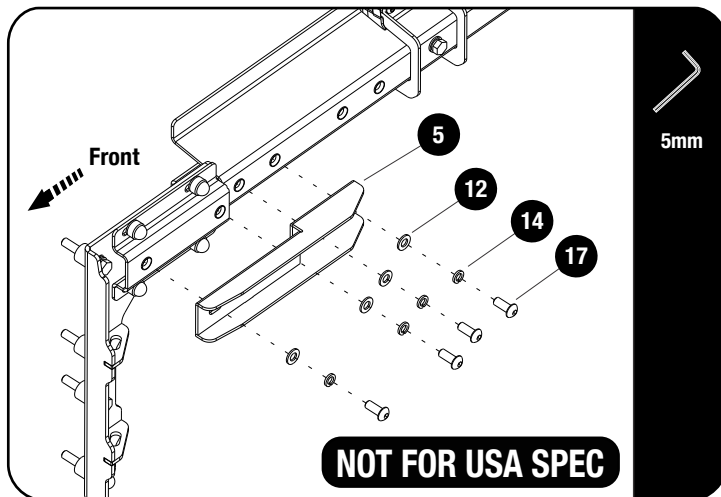
2.7



Push the assembly from 3.2 in behind the top lip of the load bed so that the front part of the clamp is positioned on the inside of the load bin.

Secure the bottom of the Rear Support to the vehicle's tie down points using the bolts removed earlier in 3.6.

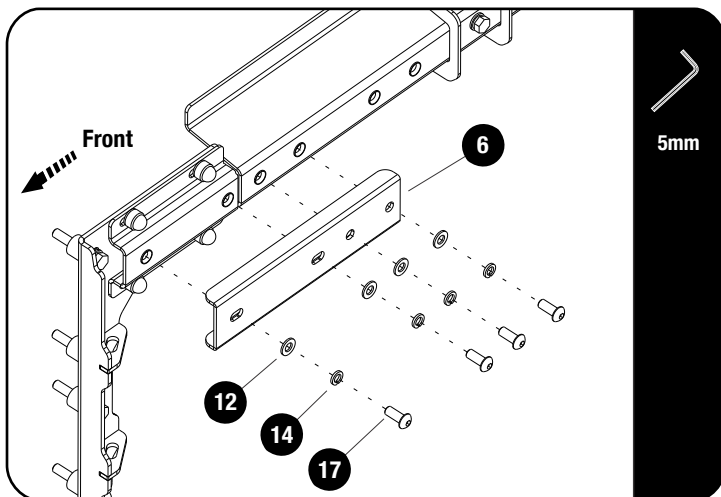
2.8



WILDTRAK FITMENT

Join the Rear Side Mount and the Front Side Mount with the Wild Track Joiner (Item 5) using M8 x 20 Button Head Bolts, M8 SS Spring Washers and M8 x 16 x 1.6SS Flat Washers (Items 12, 14 & 17).

2.9

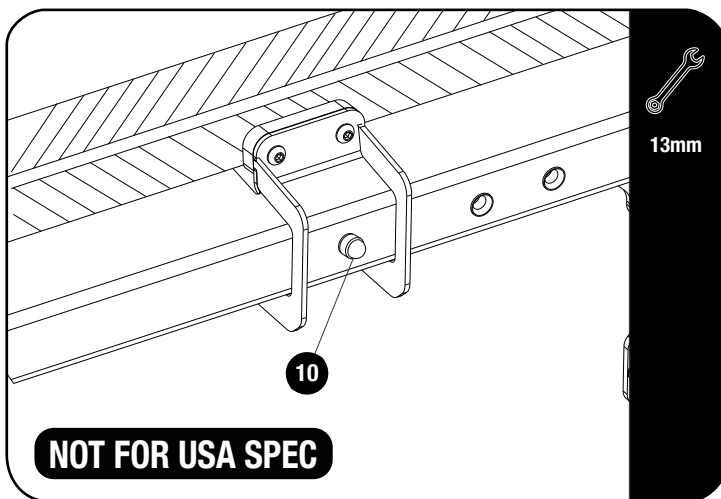


STANDARD FITMENT

Join the Rear Side Mount and the Front Side Mount with the Standard Joiner (Item 6) using M8 x 20 Button Head Bolts, M8 SS Spring Washers and M8 x 16 x 1.6SS Flat Washers (Items 12, 14 & 17).

2 FIT AND SECURE

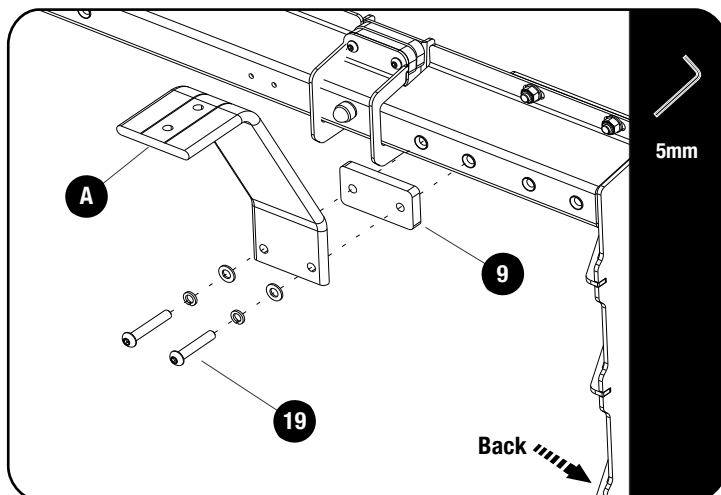
2.10



Fully clamp the Side Mount to the top lip of the vehicle's load bin.

Finish off by placing M8 nut Caps (Item 10) on the M8 bolt heads.

2.11



Secure the legs (A) (sold separately) to the Load Bin Mounting Bracket using M8 x 35 Button Head Bolts and the flat washers and spring washers supplied with the legs.



For Wildtrak fitment, use Spacers (Item 9), M8 x 35 Button Head Bolts (Item 19) and the flat washers and spring washers supplied with the legs

3 FINISH

Congratulations! You did it. Take a step back and admire your work!

4

INSTALL OTHER VEHICLE AND RACK ACCESSORIES

Now's the time to visit your favorite Front Runner Dealer in person or online.

Be sure to tag us. We love to see our gear in action! #FrontRunnerOutfitters #BornToRoam

Share your adventures on:

